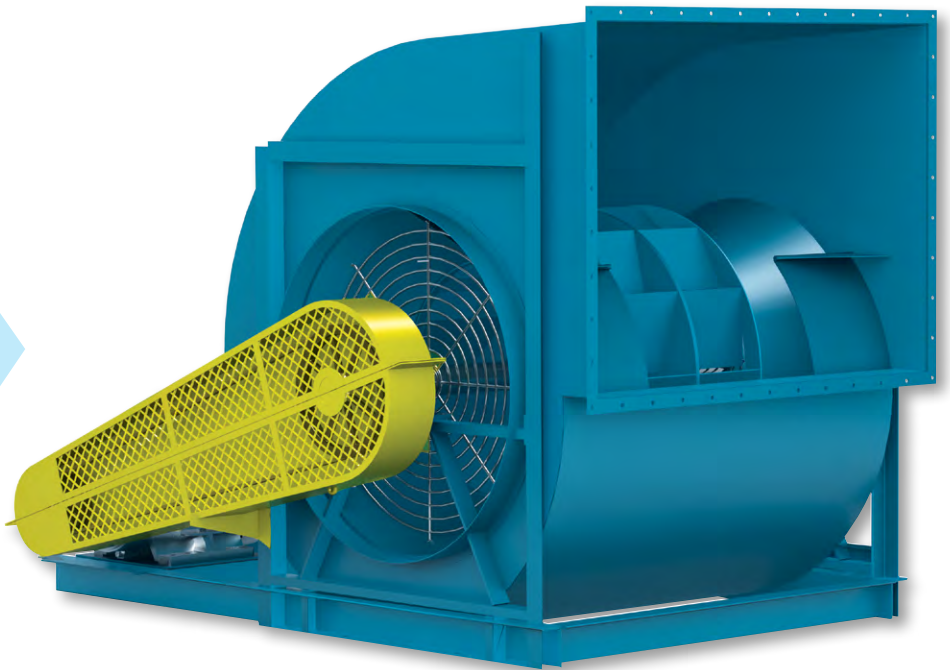




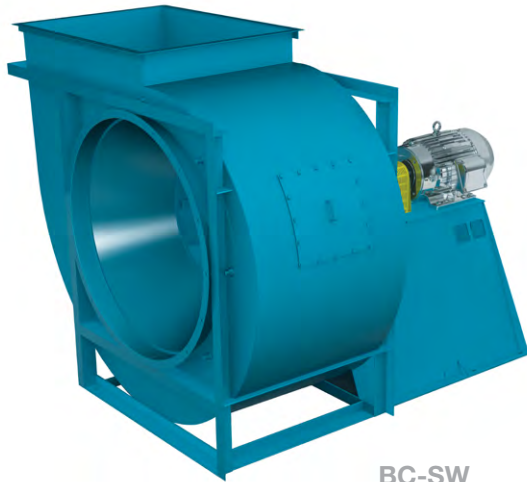
INDUSTRIAL PROCESS AND
COMMERCIAL VENTILATION SYSTEMS

BACKWARD INCLINED FANS

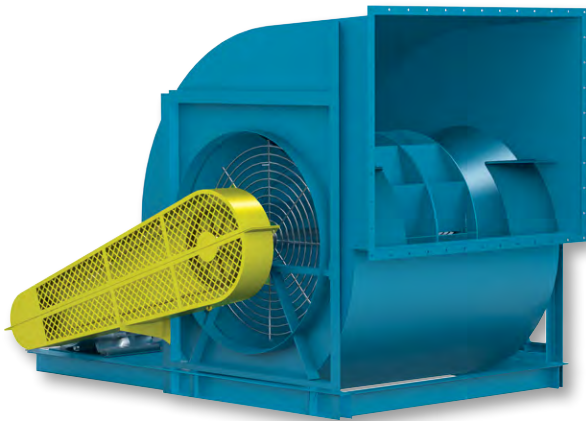
BC-SW | BC-DW



BACKWARD INCLINED FANS



BC-SW
Arrangement 8



BC-DW
Arrangement 3



Model BC-SW & BC-DW is available with UL/cUL 705 listing, for electrical, File No. E158680.



Twin City Fan & Blower certifies that the Model BC-DW fan shown herein is licensed to bear the AMCA Seal. The ratings shown are based on tests and procedures performed in accordance with AMCA Publication 211 and comply with the requirements of the AMCA Certified Ratings Program.



Twin City Fan & Blower certifies that the Model BC-SW fan shown herein is licensed to bear the AMCA Seal. The ratings shown are based on tests and procedures performed in accordance with AMCA Publication 211 and comply with the requirements of the AMCA Certified Ratings Program. See Twin City Fan & Blower Fan Selector® program for sound ratings.

Models

BC-SW | BC-DW

The BC is a non-overloading centrifugal fan available in a SWSI (single width, single inlet) and DWDI (double width, double inlet) design. The BC is a popular choice for the efficient handling of large volumes of relatively clean air at low to moderate pressures in applications such as:

- HVAC (heating, ventilating and air conditioning)
- Combustion air supply
- Filtration and drying systems
- Fume hood, spray booth and other exhaust systems
- Air pollution control (clean side of dust collectors)
- Industrial processes

Please discuss your particular application with the Twin City Fan & Blower representative for your area.

Model BC-SW Sizes

12.25" to 98.25" wheel diameters

Performance

Airflow to 277,500 CFM

Static pressure to 20" w.g.

Arrangements

Available in Arrangements 1, 3, 3F, 3SI, 4, 4S, 4VI, 4HI, 7SI, 8, 9, 9F, 9H, 9ST, 9SS, 10

Model BC-DW Sizes

12.25" to 89" wheel diameters

Performance

Airflow to 344,300 CFM

Static pressure to 14" w.g.

Arrangements

Available in Arrangements 3, 3F, 3DI, 7DI



For complete product performance, drawings and available accessories, download our Fan Selector program at tcf.com.

Models

BC-SW | BC-DW

Wheel Construction

BC wheels are constructed of steel using flat single thickness blades, solid welded to the rim and backplate.

A conical spun shroud (rim) makes BC fans less susceptible to the performance losses associated with poor inlet conditions. All BC wheels are statically and dynamically balanced to grade BV3 per AMCA 204 for smooth operation prior to being assembled in the fan, followed by final balance of the entire rotating assembly.

Housing Construction

All fan housings are continuously welded to provide strength and durability for extended service life.

All housings are reinforced with rigid bracing to increase structural integrity. Lifting lugs are standard on all fans. Precisely positioned cutoff plates and aerodynamically spun inlet cones provide high efficiency and smooth airflow through the fan. Inlet collars for slip-joint connections are standard on all SWSI fans. All SWSI fans and DWDI Class III and IV fans feature an outlet flange for duct connection as standard. DWDI Class I and II fan outlets are designed for slip-on joint connection. A flanged outlet is available as an option.

All fans are available in standard discharge configuration (see page 12). SWSI fans Class I and II, sizes 270 and smaller in Arrangements 1, 4, 9 and 10 are field rotatable to any standard discharge position. To help reduce overall heights, all DWDI fans feature a non-rotatable housing design as standard.

Shafts

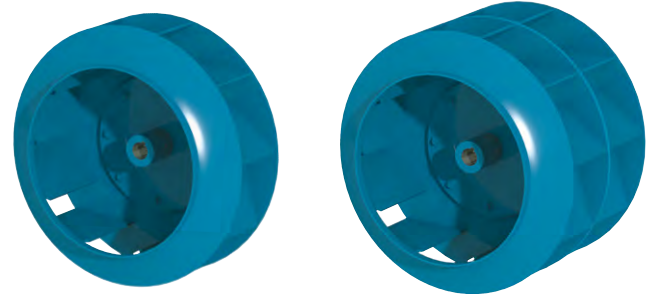
Shafts are AISI Grade 1040 or 1045 hot-rolled steel accurately turned, ground, polished, and ring gauged for accuracy. Shafts are sized for a first critical speed of at least 1.43 times the maximum speed for the class.

Bearings

Bearings are heavy duty, grease lubricated, spherical roller or adapter mounted anti-friction ball, self-aligning, pillow block type, selected for minimum average bearing life (AFBMA L-50) in excess of 200,000 hours at the maximum class RPM.

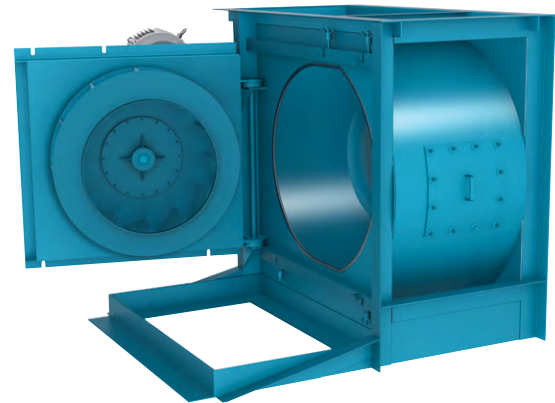
Optional Construction:

- Split Housings
- Swingout Construction
- High Temperature Construction (see page 11)

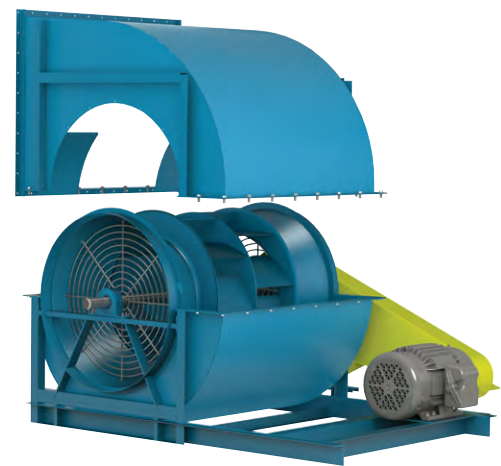


BC-SW Wheel

BC-DW Wheel



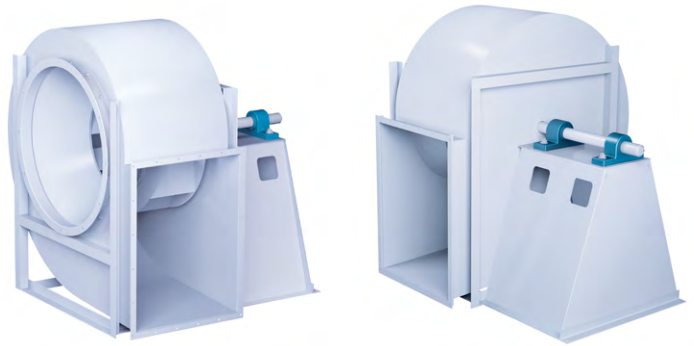
Swingout Construction
(Available in Arrangements 4S, 9ST, 9SS)



Split Housings
(Horizontal or Pie-Shaped)

Arrangement 1 SWSI — Single Width, Single Inlet

Arrangement 1 is usually belt driven. The wheel is overhung on the shaft, i.e., mounted at the end of the shaft. The motor can be mounted in any of the four AMCA standard motor positions, W, X, Y, or Z. The two fan bearings are mounted on the bearing pedestal, out of the airstream, which makes them ideal for high temperature or contaminated air applications. Belt driven configurations offer performance flexibility.



Arrangement 3 SWSI — Single Width, Single Inlet

Arrangement 3 is configured with the wheel mounted between the bearings making it structurally sound and compact. The arrangement 3 has one bearing located in the airstream. The motor can be mounted in any of the four AMCA standard motor positions, W, X, Y, or Z.



Arrangement 3F SWSI — Single Width, Single Inlet

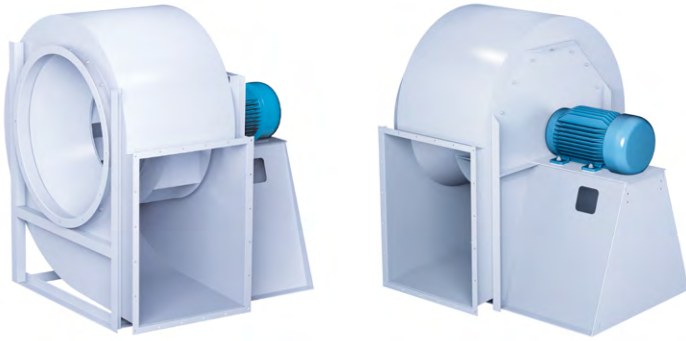
Arrangement 3F is an Arrangement 3 with extended angle frame to mount the motor and horizontal slide base as an assembly. Arrangement 3F is not suitable for mounting vibration isolators directly under the fan.



Arrangement 3SI SWSI — Single Width, Single Inlet

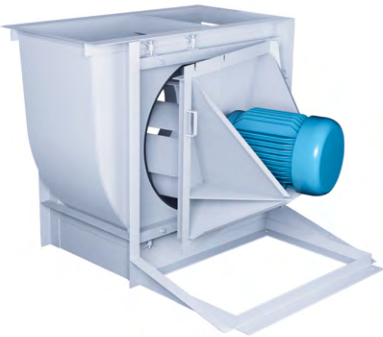
Arrangement 3SI is direct drive. Like the Arrangement 3, the wheel is mounted between the bearings. The Arrangement 3SI utilizes an integrated inlet box to locate the bearing outside of the airstream which allows for elevated operating temperatures and relatively clean air. The Arrangement 3SI includes a pie split housing for easy wheel removal. The motor is located by the customer off the fan assembly and direct coupled to the shaft opposite of the inlet box side.





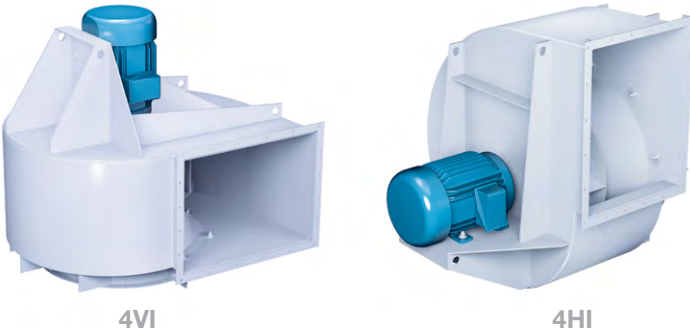
Arrangement 4 **SWSI — Single Width, Single Inlet**

Arrangement 4 is a direct drive fan. The wheel is mounted directly to the motor shaft with the motor mounted to a pedestal. Arrangement 4 offers low maintenance since there are no fan bearings, fan shaft or drive parts to maintain. Arrangement 4 fans are typically limited up to size 365.



Arrangements 4S (Swingout Construction) **SWSI — Single Width, Single Inlet**

Arrangement 4S is a modified Arrangement 4 fan intended for easy access to the wheel and housing interior. The motor and wheel assembly is mounted to reinforced framework to support the opened housing.

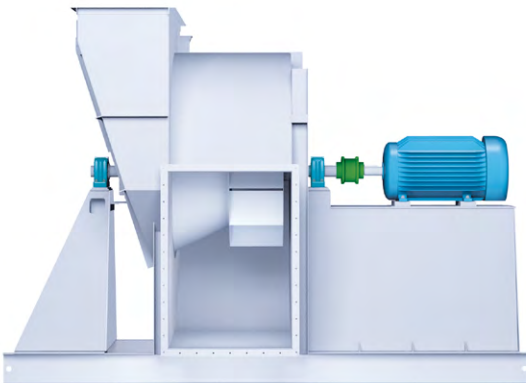


4VI

4HI

Arrangements 4VI (Vertical) & 4HI (Horizontal) **SWSI — Single Width, Single Inlet**

Arrangement 4VI and 4HI are modified Arrangement 4 fans designed to mount directly on the inlet of the fan. The Arrangement 4VI and 4HI fans feature reinforced inlets and removable motor side to allow the rotating assemblies to be removed without removing the housing from the mounting structure. Arrangement 4VI fans utilize a vertical airflow into the fan (vertical motor shaft) and Arrangement 4HI fans employ horizontal airflow into the fan (horizontal motor shaft).



Arrangement 7SI **SWSI — Single Width, Single Inlet**

Arrangement 7SI is direct drive. Like the Arrangement 3SI, the wheel is mounted between the bearings. The Arrangement 7SI includes an integrated inlet box to locate the bearing outside of the airstream. The pedestal is designed to accommodate the motor, flexible coupling and one bearing. A pie split housing is provided for easy wheel removal. The fan assembly is then mounted on a unitary base as standard. An inertia base is an available option.

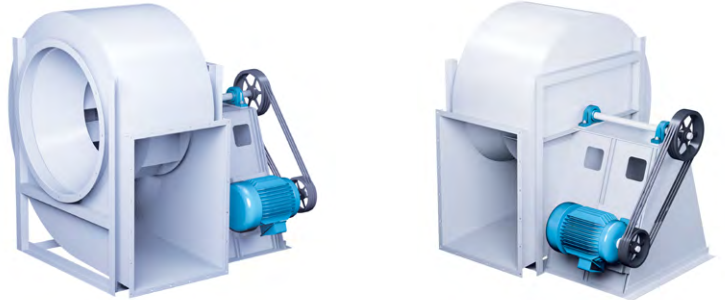
Arrangement 8 SWSI — Single Width, Single Inlet

Arrangement 8 is a modified version of Arrangement 1 used for direct drive. The Arrangement 1 bearing pedestal is extended to accommodate the motor. A flexible coupling connects the fan and motor shaft.



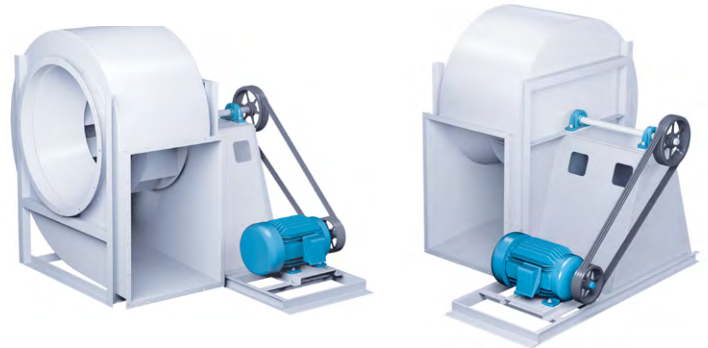
Arrangement 9 SWSI — Single Width, Single Inlet

Arrangement 9 is available as belt driven only. A motor slide base is mounted on the side of the bearing pedestal. This arrangement permits the unit to ship as a complete assembly with the motor and drive mounted. Typically, the motor is mounted on the left side of the pedestal for CW rotation fans and on the right side for CCW rotation fans.



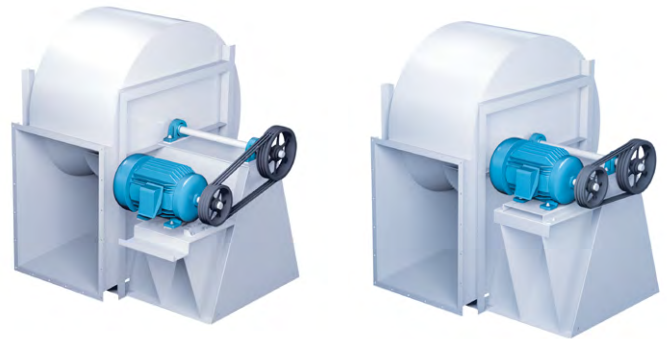
Arrangement 9F SWSI — Single Width, Single Inlet

Arrangement 9F is available when an Arrangement 9 requires a motor which is too large to mount on the bearing pedestal. The fan frame is extended to accommodate the motor, for horizontal mounting, similar to an Arrangement 1 fan. Arrangement 9F is not suitable for mounting vibration isolators directly under the fan.



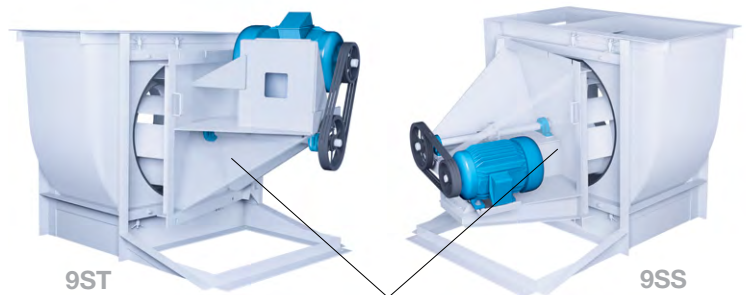
Arrangement 9H SWSI — Single Width, Single Inlet

Arrangement 9H is available for motor mounting on the side of the bearing pedestal when horizontal motor adjustment is preferred. The pedestal is extended on one side to accommodate the motor for horizontal mounting. Typically, the motor is mounted on the left side of the pedestal for CW rotation fans and on the right side for CCW rotation fans.

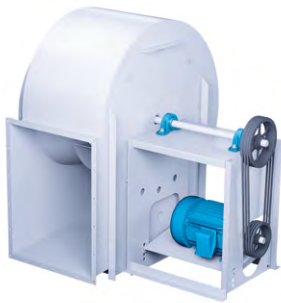


Arrangement 9ST & 9SS (Swingout) SWSI — Single Width, Single Inlet

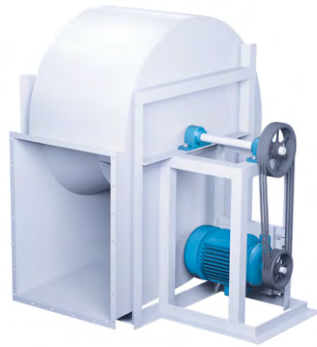
Arrangement 9ST and 9SS are modified Arrangement 9 fans intended for easy access to the wheel and housing interior. The motor and wheel assembly is mounted to reinforced framework to support the opened housing. Arrangement 9ST mounts the motor above the bearing pedestal. The Arrangement 9SS mounts the motor on the side of the bearing pedestal.



Transparency view for showing bearing location.



Sizes 122-365
(Vent Sets)



Sizes 402+

Arrangement 10
SWSI — Single Width, Single Inlet

Arrangement 10 is available as belt driven only. For Class I and II fans, sizes 122 through 365, Arrangement 10 units are commonly referred to as Ventilating Sets. (Refer to Catalog 600 for more details.) Arrangement 10 units have adjustable motor bases mounted inside the bearing pedestal. This arrangement offers a more compact design than the Arrangement 9 and is suitable for roof or outdoor installations when supplied with the optional weather cover.



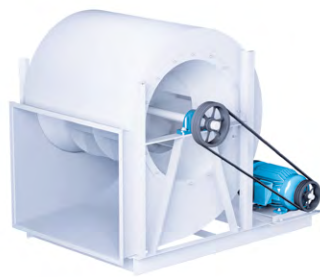
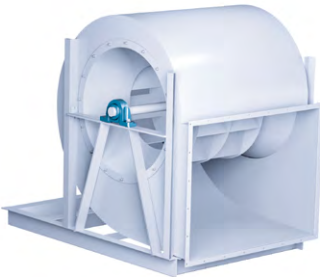
Arrangement 3
DWDI — Double Width, Double Inlet

DWDI fans are generally supplied in Arr. 3 for V-belt drive. The wheel is mounted between the bearings and supported by the fan housing. Since both bearings are located in the airstream, standard DWDI fans should be used for clean air applications with air temperatures limited to 130°F. The motor can be mounted in any of the four standard motor positions: W, X, Y or Z.



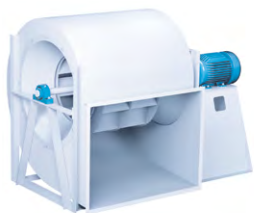
Arrangement 3DI
DWDI — Double Width, Double Inlet

Arrangement 3DI is direct drive. Like the Arrangement 3, the wheel is mounted between the bearings. The Arrangement 3DI utilizes integrated inlet boxes to locate the bearings outside of the airstream on independent bearing pedestals which allows for elevated operating temperatures and relatively clean air. The Arrangement 3SI includes a pie split housing for easy wheel removal. The motor is located by the customer off the fan assembly and direct coupled to the shaft.

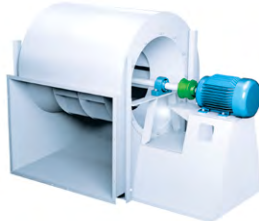


Arrangement 3F
DWDI — Double Width, Double Inlet

Arrangement 3F offers an integral extended base to accommodate the motor. The base is prepunched to accept vibration isolators. Arr. 3F is available to Size 660 and for motor positions W and Z as standard. For motor positions X and Y, consult factory.



Arr. 7



Arr. 7DI

Arrangement 7 & 7DI
DWDI — Double Width, Double Inlet

Arrangement 7 and 7DI are direct drive. Like the Arrangement 3 and 3DI, the wheel is mounted between the bearings, but the 7 and 7DI incorporate a pedestal designed to accommodate the motor, flexible coupling and one bearing. The Arrangement 7DI utilizes integrated inlet boxes to locate the bearings outside of the airstream allowing for elevated operating temperatures and relatively clean air. A pie split housing is provided for easy wheel removal. The Arrangement 7DI fan assembly is then mounted on a unitary base as standard. An inertia base is an available option.

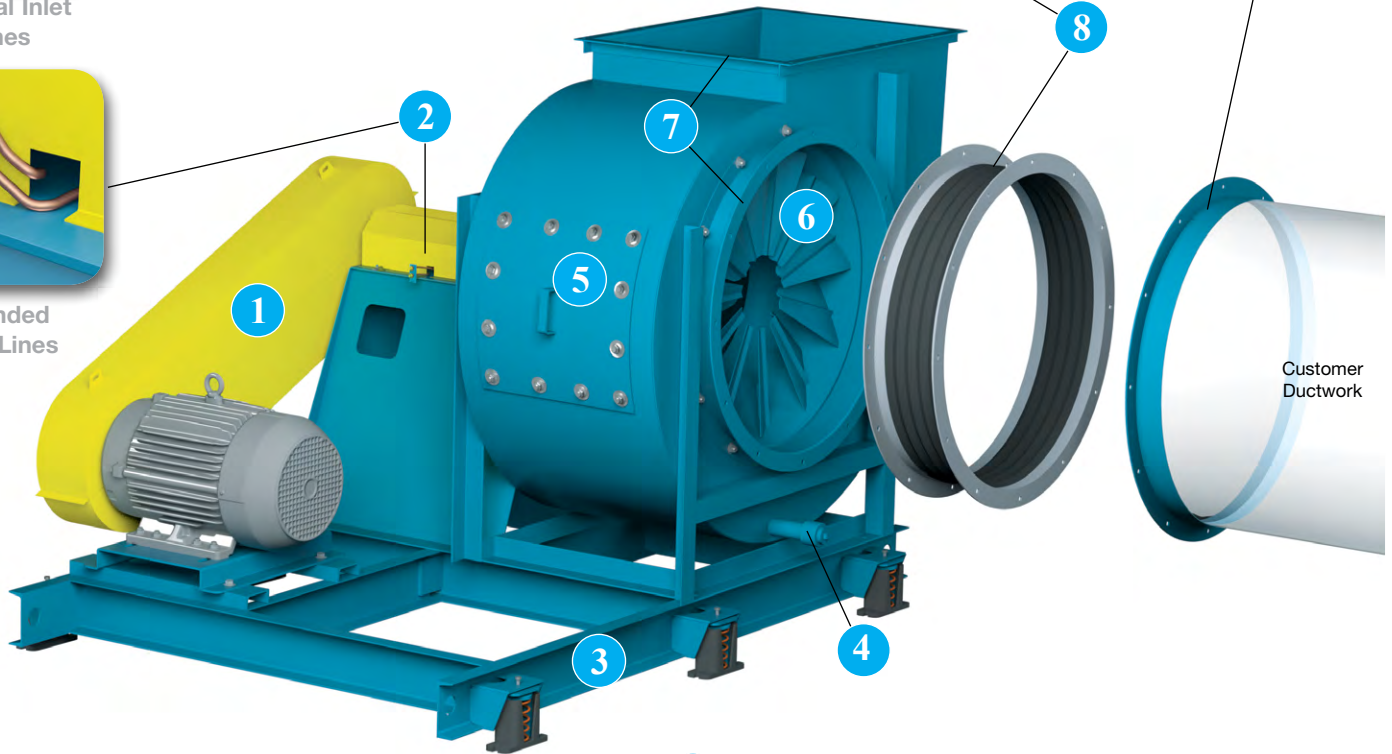
OPTIONS/ACCESSORIES



External Inlet Vanes



Extended Lube Lines



1 Belt Guard Belt guard protects personnel from the moving drive parts. OSHA and quick access guards are available. Arrangement 10 offers a standard belt guard.

2 Shaft Guard, Bearing Guard & Extended Lube Lines Sheet metal guards cover shaft and bearings and come with extended lube lines to a common point outside of the guard. A guard spanning the shaft between the bearings is available to provide open access to bearings for lubrication and vibration monitoring.

3 Vibration Isolation Bases provide a common support to fan, motor and drive including guards and utilize heavy duty structural channel. Vibration isolation bases require spring or rubber-in-shear type isolators that are designed to limit forces transmitted to the support structure of an operating fan. Flexible connectors at inlet and outlet are also required (as shown).

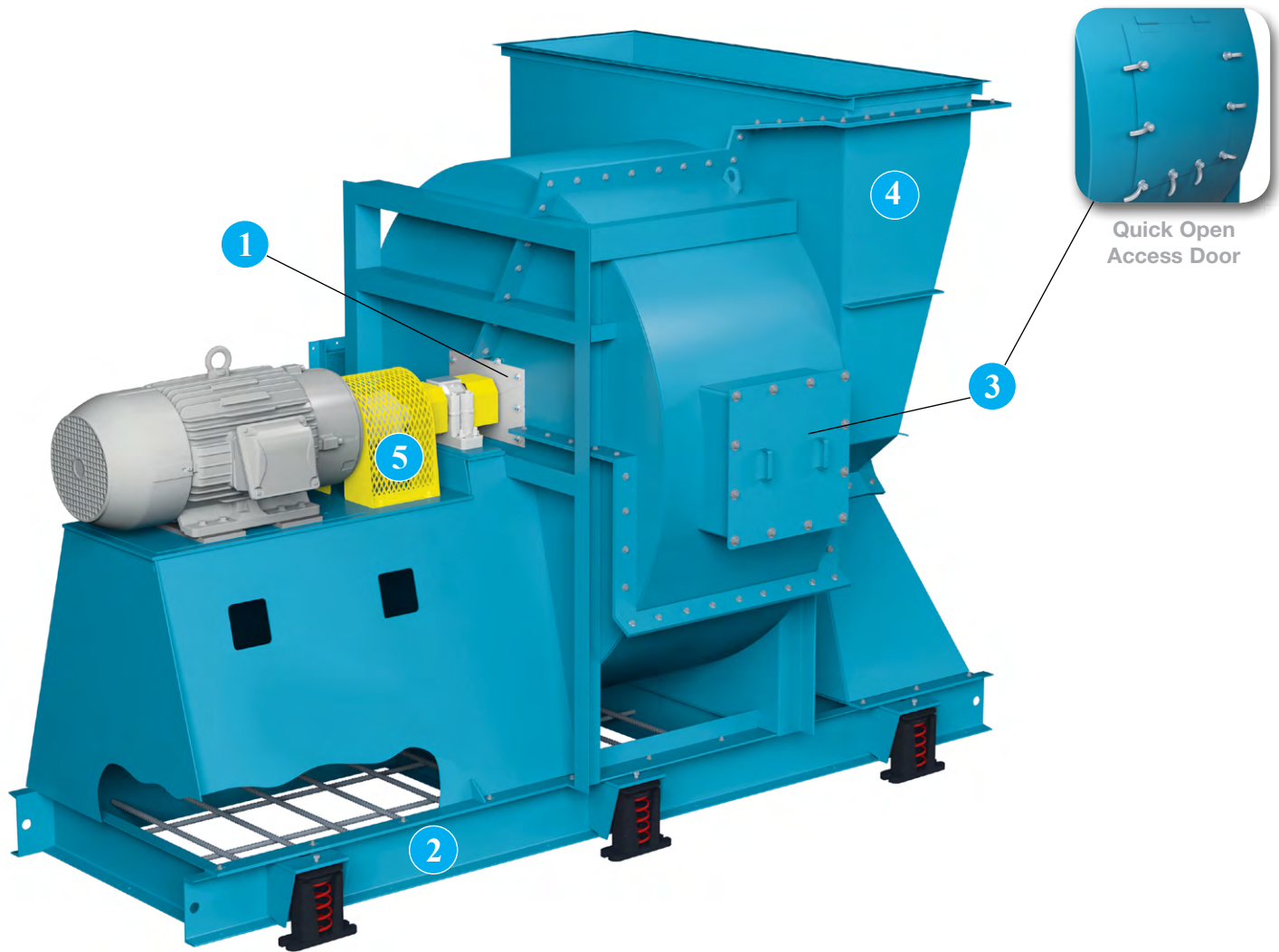
4 Drain with Plug Threaded pipe coupling welded to the lowest point in the housing scroll. All fans come with a weep hole in the bottom of the housing as standard.

5 Bolted Access Doors for wheel inspection and maintenance. See page 9 for raised & quick access doors.

6 Nested & External Inlet Vanes Variable inlet vanes cause the entering air to spin in the direction of wheel rotation, resulting in reduction in volume, static pressure and brake horsepower and thus providing an infinite number of fan curves approximately parallel to the original fan curve. Variable inlet vanes cost about 50% to 80% more than outlet dampers but offer significant savings in energy. Both types are available to 600°F construction.

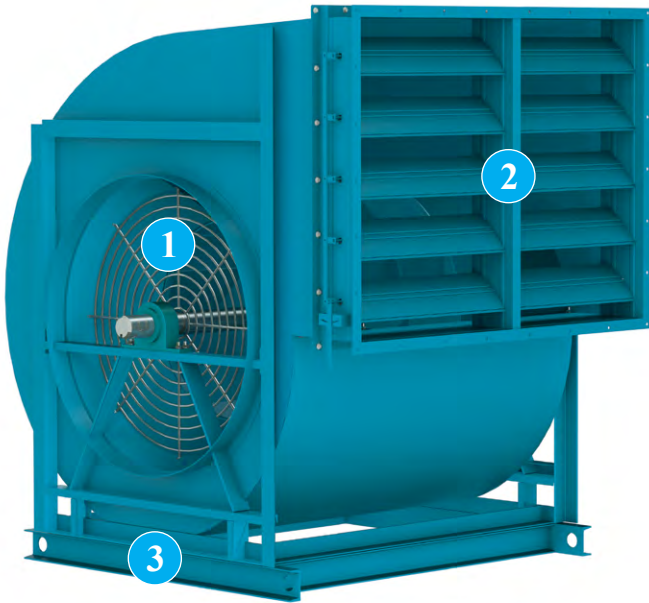
7 Flanged Inlets/Outlets Punched inlet flanges are available for duct mounting (as shown). Punched or unpunched outlet flanges are welded to the fan outlet. Unpunched flanged outlet is standard on all SWSI and DWDI Class III and IV fans.

8 Inlet/Outlet Companion Flanges & Flex Connectors (Round & Rectangular) Companion flanges are commonly connected to a user's duct for easy installation of flexible connections between the fan and duct. Companion flanges and flex connectors are punched to match the fan's inlet or outlet punching.



- 1 Shaft Seals** reduce leakage and protect the bearings from a contaminated airstream. Standard seals are constructed of Tetraglas compressed between an aluminum cover plate and the fan housing. The standard shaft seal is not gas tight. Special seals are available for low leakage applications requiring more protection.
- 2 Inertia Bases** provide a common support to fan, motor and drive including guards and utilize heavy duty structural channel with spring isolators. Inertia bases incorporate reinforcing rods and require customer supplied concrete. Inertia bases are typically used on longer, direct drive fans to mitigate assembly deflection, maintaining proper alignment between the motor, coupling, shaft and bearings. Flexible connectors at inlet and outlet are required.
- 3 Raised Access or Quick Access Doors** for quick wheel inspection and maintenance.
- 4 Inlet Boxes** are designed to minimize pressure drop and are recommended for applications where uniform flow is difficult to obtain due to limited space. Inlet boxes can be designed to be either detachable or integral (shown above) to the fan.
- 5 Coupling Guards** are designed to cover the rotating shaft and drive components.





- 1 **Inlet & Outlet Safety Screens** are available for mounting in the fan inlet or outlet in non-ducted applications.
- 2 **Outlet Dampers (Opposed or Parallel Blade)** Outlet dampers add resistance to the fan by shifting the operating point to the left of the rating point. The horsepower savings depends on the relative position on the fan curve and is usually much less than other methods. Outlet dampers are typically the least expensive option and should be considered when infrequent operation at lesser capacity is desired or when handling hot, humid or particulate laden air. **Parallel blade dampers** are recommended for systems where air volume is modulated between full-open to about 75% of open. **Opposed blade dampers** cost about 10% more and are recommended for systems where volume is modulated over the entire range. Opposed blades reduce air volume in a closer relationship to the control arm movement. Both types are available to 750°F construction.
- 3 **Unitary Base** utilize structural channel to support the fan assembly and are designed for use without isolators.

OTHER OPTIONS/ACCESSORIES INCLUDE

Variable Frequency Drive (VFD) A VFD changes the fan speed for reduced volume operation and deliberate acceleration rates at start up. A VFD can provide the greatest potential for energy savings. A VFD should be considered for extended operation at part load conditions, especially below 70% of the full volume operation.

V-Belt Drives offer an economical yet flexible means of transmitting power to the fans. There are two types of V-belt drives. **Adjustable pitch** drives offer easy adjustment of speed. The motor pulley pitch can be adjusted when the fan is at rest offering speed variation of about 10% from the design speed. This style of sheave can result in higher vibration so adjustable pitch drives are not recommended for use on motors over 10 HP or wherever low vibration is required. **Fixed pitch or constant speed drives** offer low cost and the lowest vibration levels. Speed change can often be accomplished by changing only one of the sheaves.

Special Paint & Protective Coatings are available for many applications. Refer to Engineering Supplement ES-35 (Protective Coatings Guide) for more details.

Bearing Upgrades to unit roller with non-split pillow block or spherical roller with split pillow block housings (bearing races not split) are available. Spherical roller bearings with split pillow block housings are not available for fans with less than 1-7/16" diameter bearings nor recommended for fans with lightly loaded bearings. Refer to Fan Engineering Data FE-1200 (Fan Bearing Selection) and FE-1300 (Fan Bearing Maintenance & Troubleshooting) for the correct type of bearings, selection criteria, maintenance, etc.

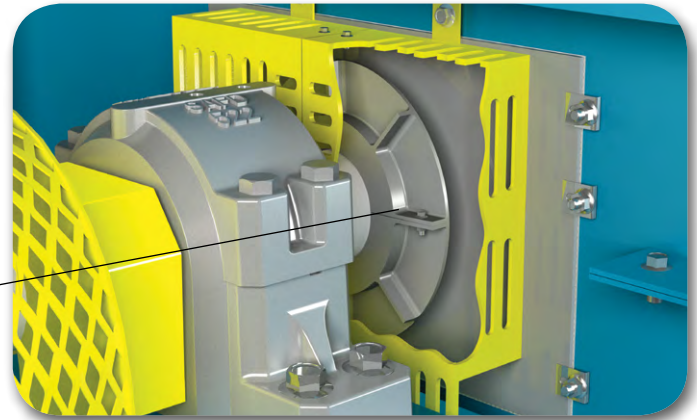
- **Bearing RTD (temperature sensors)**
- **Vibration sensors**
- **Piezometer ring airflow measuring system. Refer to Twin City Fan Engineering Supplement ES-105 (Airflow Measuring System Using Piezometer Ring).**
- **Steel Wall & Aluminum Clad Housings**
- **Insulation Pins**
- **Consult factory for other accessories**

High Temperature Construction

Standard fan design options are available to handle airstream temperatures to 800°F. Consult your Twin City Fan & Blower representative for applications over 800°F. The fan bearings should be kept outside of the hot airstream and below 130°F ambient. High temperature operating limits, available arrangements, and necessary modifications are shown in Table 1.

Shaft Cooler (Heat Slinger)

Cast aluminum shaft cooler dissipates the heat transferred to the shaft from the airstream protecting the fan bearings. Recommended for applications over 300°F.



Shaft Cooler & Safety Guard

Table 1. High Temperature Construction Requirements

TEMPERATURE (°F)	TYPE OF BEARING	LUBRICATION	OTHER REQUIREMENTS	AVAILABLE ARRANGEMENTS
-20°F to +300°F	Ball or Roller	Grease	Standard Fan	Arr. 1, 8, 9, 9F, 10 Arr. 3 and 3F to 130°F Arr. 4 to 180°F
300°F to 500°F	Ball or Roller with (1) Expansion Bearing	High Temp. Grease	Shaft Cooler, Shaft Seal. For Arr. 9 & 10 Fans, a Motor Heat Shield is Included.	Arr. 1, 8, 9, 9F, 10
500°F to 800°F	Ball or Roller with (1) Expansion Bearing	High Temp. Grease	High Temp. Aluminum Paint Shaft Cooler, Shaft Seal. For Arr. 9 & 10 Fans, a Motor Heat Shield is included.	Arr. 1, 8, 9, 9F, 10 (Arr. 9 & 10 Limited to 600°F)

Derating Factors For High Temperature

Fan operation at high temperature adversely affects the strength of fan wheels. As a result, the maximum safe speed must be derated by the factors shown in Table 2.

Example: Maximum safe speed at 600°F for a size 365 BC, SWSI, Class II steel wheel = 0.86 x 1283 = 1103 RPM (1283 RPM is maximum RPM at 70°F).

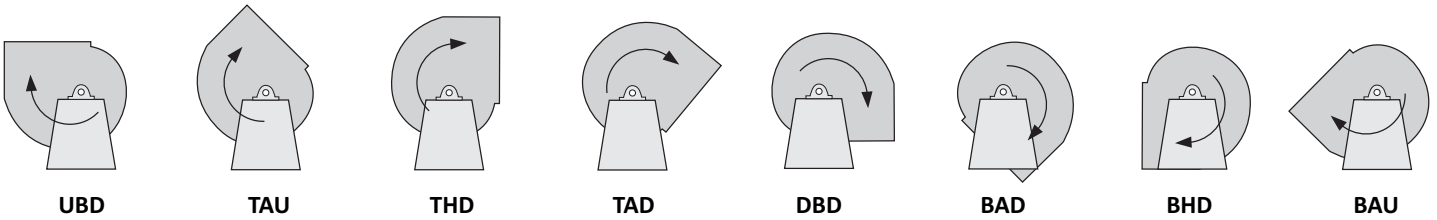
Table 2. Derating Factors For High Temperature

TEMPERATURE (°F)	STANDARD STEEL	STAINLESS STEEL
70	1.00	1.00
200	0.99	0.95
250	0.98	0.93
300	0.98	0.91
400	0.96	0.88
500	0.93	0.84
600	0.90	0.81
700	0.80	0.78
800	0.60	0.75
900	—	0.73
1000	—	0.70

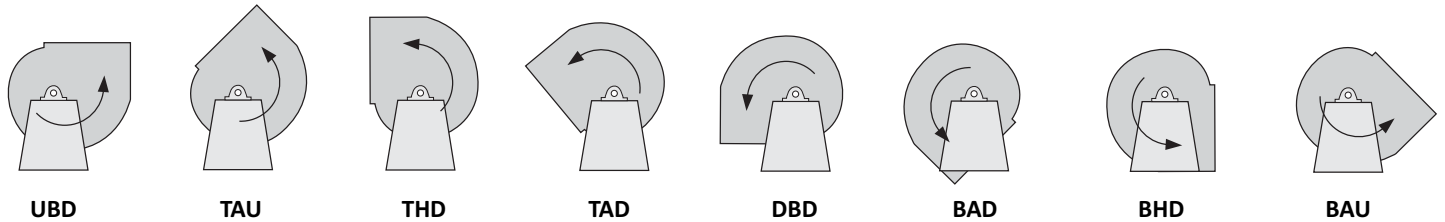
STANDARD CONFIGURATIONS



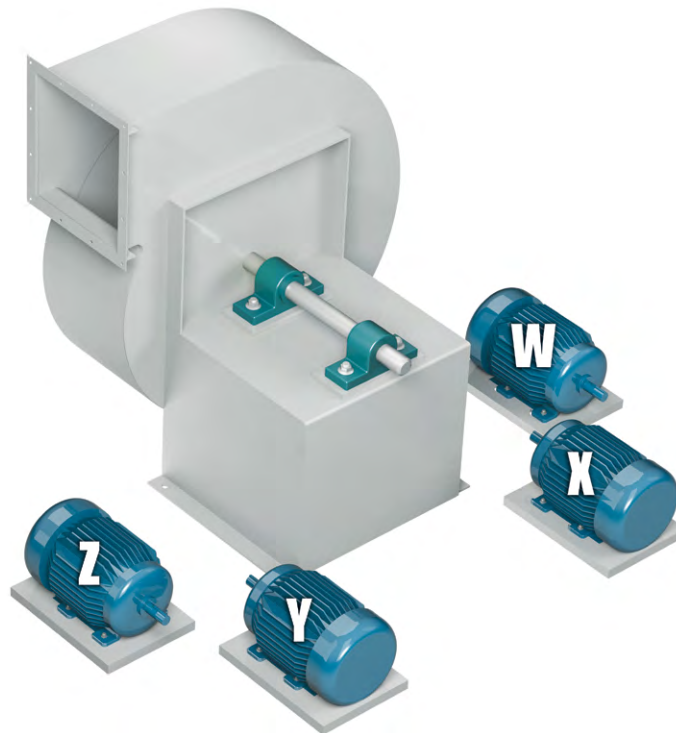
CLOCKWISE (CW) - ROTATION & DISCHARGE (ROTATION VIEW FROM DRIVE SIDE)



COUNTER CLOCKWISE (CCW) - ROTATION & DISCHARGE (ROTATION VIEW FROM DRIVE SIDE)



AMCA MOTOR POSITION STANDARDS



The drawing above illustrates the AMCA motor position standards for Arrangement 1 and 3 fans (Arrangement 1 shown). The location of the motor is determined by facing the drive side of the fan and designating the motor position by letters W, X, Y, or Z, in accordance with the diagram shown above.

Maximum RPM, Wheel Weights & WR² (moment of inertia in lb-ft²)

BC SWSI

FAN SIZE	CLASS I			CLASS II			CLASS III			CLASS IV		
	MAX. RPM	WHEEL WEIGHT (LB)	WR ² (LB-FT ²)	MAX. RPM	WHEEL WEIGHT (LB)	WR ² (LB-FT ²)	MAX. RPM	WHEEL WEIGHT (LB)	WR ² (LB-FT ²)	MAX. RPM	WHEEL WEIGHT (LB)	WR ² (LB-FT ²)
122	3167	15	1.7	4119	15	1.7	5208	22	2.4	5608	25	2.7
135	2874	17	2.4	3738	18	2.7	4726	27	3.9	5099	28	3.9
150	2587	20	3.7	3364	21	4.1	4253	31	5.8	4580	33	5.8
165	2352	24	5.7	3058	28	7.0	3867	38	8.4	4167	37	8.4
182	2118	31	8.8	2729	39	10.8	3473	53	13.9	3766	53	13.9
200	1932	38	12.5	2490	49	17.4	3169	63	19.8	3442	75	25.3
222	1737	66	23.6	2238	74	28.8	2848	85	32.0	3088	98	40.3
245	1577	81	38.3	2033	87	42.9	2587	110	50.9	2808	130	66.8
270	1397	94	56.4	1803	103	64.6	2287	132	79.2	2544	152	97.8
300	1257	113	88.8	1623	125	101	2059	172	139	2291	172	136
330	1143	151	149	1475	167	158	1871	215	221	2081	205	200
365	995	198	245	1283	214	260	1727	273	288	1883	252	297
402	903	244	361	1163	254	382	1566	301	437	1706	298	437
445	817	340	566	1052	392	692	1416	412	681	1545	446	776
490	742	393	816	956	455	1001	1286	478	985	1401	550	1195
542	670	461	1209	863	542	1392	1162	604	1570	1260	731	1994
600	606	593	1954	780	642	2066	1050	793	2647	1146	907	3141
660	551	859	3008	710	975	3629	955	1068	4034	1040	1250	4961
730	498	1147	5336	641	1142	5336	863	1274	6160	940	1567	7724
807	450	1391	8228	580	1466	8754	780	1711	10416	851	1980	12378
890	408	1902	13450	526	1908	13451	708	2378	17378	772	2679	20204
982	370	2243	19589	477	2257	19590	641	2777	26316	CONSULT FACTORY		

BC DWDI

FAN SIZE	CLASS I			CLASS II			CLASS III			CLASS IV		
	MAX. RPM	WHEEL WEIGHT (LB)	WR ² (LB-FT ²)	MAX. RPM	WHEEL WEIGHT (LB)	WR ² (LB-FT ²)	MAX. RPM	WHEEL WEIGHT (LB)	WR ² (LB-FT ²)	MAX. RPM	WHEEL WEIGHT (LB)	WR ² (LB-FT ²)
122	3196	20.4	2.7	4168	22.1	2.7	CONSULT FACTORY*			CONSULT FACTORY*		
135	2904	23.7	3.9	3787	32.7	4.5						
150	2594	29.8	5.9	3383	37.7	6.8						
165	2358	37.1	9.3	3075	47.5	11.3	3504 79.6 23.1			3766 88.1 23.4		
182	2149	53.2	14.3	2776	59.7	17.2						
200	1961	60.7	20.4	2533	91.3	29.0						
222	1762	85.6	35.1	2277	108	45.7	2874 134 52.7			3442 122 42.2		
245	1601	119	60.5	2068	130	69.7						
270	1392	140	90.5	1830	172	108						
300	1253	172	145	1647	208	171	2610 164 81.1			2544 217 110		
330	1139	253	251	1497	275	270						
365	1015	315	397	1302	342	426						
402	920	370	585	1181	403	627	1497 460 750			2290 297 235		
445	832	558	914	1068	656	1165						
490	748	642	1321	966	763	1690						
542	676	743	1960	872	819	2363	1104 919 2606			2081 339 343		
600	611	912	3070	789	961	3513						
660	555	1194	4646	717	1420	6213						
730	502	1738	9198	648	1752	9201	998 1232 4506			2290 297 235		
807	459	2178	14334	589	2276	14866						
890	416	3085	22490	534	3040	22484						
982	377	3580	32972	484	3528	32965	677 3625 29218			1146 1392 5174		
							CONSULT FACTORY			CONSULT FACTORY		

* Operating speeds above 4000 RPM are not recommended. Consult factory.

BC SWSI Class I

FAN SIZE	HOUSING		SHAFT DIAMETER & BEARINGS				BARE FAN WEIGHT (LB)		
	SIDES	SCROLL	ARR 1 & 9		ARR 3		ARR 1	ARR 3	ARR 9
			SHAFT DIA.	BEARING TYPE	SHAFT DIA.	BEARING TYPE			
122	14	14	1	B	1	B	118	100	124
135	14	14	1	B	1	B	135	120	142
150	14	14	1	B	1	B	163	143	171
165	14	14	1	B	1	B	192	192	201
182	14	14	1 ³ / ₁₆	B	1 ³ / ₁₆	B	245	211	257
200	14	14	1 ⁷ / ₁₆	B	1 ⁷ / ₁₆	B	296	239	311
222	12	14	1 ⁷ / ₁₆	B	1 ⁷ / ₁₆	B	387	278	406
245	12	14	1 ⁷ / ₁₆	B	1 ⁷ / ₁₆	B	467	338	490
270	12	14	1 ¹¹ / ₁₆	B	1 ⁷ / ₁₆	B	563	419	591
300	10	12	1 ¹⁵ / ₁₆	B	1 ¹¹ / ₁₆	B	678	624	712
330	10	12	1 ¹⁵ / ₁₆	B	1 ¹¹ / ₁₆	B	819	880	860
365	10	12	1 ¹⁵ / ₁₆	B	1 ¹⁵ / ₁₆	B	1009	948	1059
402	10	12	2 ³ / ₁₆	B	1 ¹⁵ / ₁₆	B	1339	1210	1406
445	10	12	2 ⁷ / ₁₆	B	1 ¹⁵ / ₁₆	B	1573	1530	1652
490	10	12	2 ¹¹ / ₁₆	B	2 ³ / ₁₆	R	1834	1695	1925
542	10	12	2 ¹⁵ / ₁₆	B	2 ⁷ / ₁₆	R	2634	2190	2765
600	10	12	2 ¹⁵ / ₁₆	B	2 ¹⁵ / ₁₆	R	3124	3020	3281
660	10	12	3 ⁷ / ₁₆	R	2 ¹⁵ / ₁₆	R	4007	3850	4207
730	10	10	3 ⁷ / ₁₆	R	3 ⁷ / ₁₆	R	4962	4570	5210
807	10	10	3 ¹⁵ / ₁₆	R	3 ¹⁵ / ₁₆	R	5016	5250	5267
890	7	10	3 ¹⁵ / ₁₆	R	3 ¹⁵ / ₁₆	R	6831	6300	7173
982	7	7	4 ¹⁵ / ₁₆	SR	4 ¹⁵ / ₁₆	SR	8908	7390	9353

Bearing Types: B = Ball Bearing R = Unit Roller Bearings SR = Split Pillow Block Roller Bearings

BC SWSI Class II

FAN SIZE	HOUSING		SHAFT DIAMETER & BEARINGS				BARE FAN WEIGHT (LB)		
	SIDES	SCROLL	ARR 1 & 9		ARR 3		ARR 1	ARR 3	ARR 9
			SHAFT DIA.	BEARING TYPE	SHAFT DIA.	BEARING TYPE			
122	14	14	1	B	1	B	123	110	129
135	14	14	1	B	1	B	141	132	148
150	14	14	1 ³ / ₁₆	B	1 ³ / ₁₆	B	173	157	182
165	14	14	1 ³ / ₁₆	B	1 ³ / ₁₆	B	203	211	213
182	14	14	1 ⁷ / ₁₆	B	1 ⁷ / ₁₆	B	261	232	274
200	14	14	1 ⁷ / ₁₆	B	1 ⁷ / ₁₆	B	307	263	322
222	12	14	1 ⁷ / ₁₆	B	1 ⁷ / ₁₆	B	396	306	416
245	12	14	1 ¹¹ / ₁₆	B	1 ¹¹ / ₁₆	B	489	372	513
270	12	14	1 ¹¹ / ₁₆	B	1 ¹¹ / ₁₆	B	577	461	605
300	10	12	1 ¹⁵ / ₁₆	B	1 ¹⁵ / ₁₆	B	693	686	728
330	10	12	2 ³ / ₁₆	B	2 ³ / ₁₆	B	855	968	898
365	10	12	2 ⁷ / ₁₆	B	2 ⁷ / ₁₆	B	1080	1043	1134
402	10	12	2 ⁷ / ₁₆	R	2 ⁷ / ₁₆	B	1395	1331	1465
445	10	12	2 ¹¹ / ₁₆	R	2 ¹¹ / ₁₆	R	1640	1683	1722
490	10	12	2 ¹⁵ / ₁₆	R	2 ¹¹ / ₁₆	R	1914	1865	2009
542	10	12	3 ⁷ / ₁₆	R	2 ¹⁵ / ₁₆	R	2762	2409	2900
600	10	12	3 ⁷ / ₁₆	R	3 ⁷ / ₁₆	R	3237	3322	3399
660	10	12	3 ¹⁵ / ₁₆	R	3 ¹⁵ / ₁₆	R	4204	4235	4415
730	10	10	3 ¹⁵ / ₁₆	R	3 ¹⁵ / ₁₆	R	5133	5027	5390
807	10	10	4 ⁷ / ₁₆	SR	4 ⁷ / ₁₆	SR	5238	5775	5500
890	7	10	4 ¹⁵ / ₁₆	SR	4 ¹⁵ / ₁₆	SR	7196	6930	7556
982	7	7	5 ⁷ / ₁₆	SR	5 ⁷ / ₁₆	SR	9138	8128	9594

Bearing Types: B = Ball Bearing R = Unit Roller Bearings SR = Split Pillow Block Roller Bearings

BC SWSI Class III

FAN SIZE	HOUSING		SHAFT DIAMETER & BEARINGS				BARE FAN WEIGHT (LB)		
	SIDES	SCROLL	ARR 1 & 9		ARR 3		ARR 1	ARR 3	ARR 9
			SHAFT DIA.	BEARING TYPE	SHAFT DIA.	BEARING TYPE			
122	10	10	1 ⁷ / ₁₆	B	1 ⁷ / ₁₆	B	139	195	146
135	10	10	1 ⁷ / ₁₆	B	1 ⁷ / ₁₆	B	159	223	167
150	10	10	1 ¹¹ / ₁₆	B	1 ¹¹ / ₁₆	B	198	276	208
165	10	10	1 ¹¹ / ₁₆	B	1 ¹¹ / ₁₆	B	224	363	236
182	10	10	1 ¹¹ / ₁₆	B	1 ¹¹ / ₁₆	B	293	394	308
200	10	10	1 ¹⁵ / ₁₆	B	1 ¹¹ / ₁₆	B	343	433	360
222	10	10	1 ¹⁵ / ₁₆	B	1 ¹⁵ / ₁₆	R	442	477	465
245	7	7	2 ³ / ₁₆	B	1 ¹⁵ / ₁₆	R	620	539	651
270	7	7	2 ³ / ₁₆	B	1 ¹⁵ / ₁₆	R	740	639	777
300	7	7	2 ⁷ / ₁₆	R	2 ³ / ₁₆	R	950	1029	997
330	7	7	2 ¹¹ / ₁₆	R	2 ⁷ / ₁₆	R	1157	1047	1215
365	7	7	2 ¹¹ / ₁₆	R	2 ⁷ / ₁₆	R	1387	1448	1456
402	7	7	2 ¹⁵ / ₁₆	R	2 ¹¹ / ₁₆	R	1719	1805	1805
445	7	7	3 ⁷ / ₁₆	R	2 ¹⁵ / ₁₆	R	2112	2237	2218
490	7	7	3 ⁷ / ₁₆	R	2 ¹⁵ / ₁₆	R	2478	2543	2602
542	7	7	3 ¹⁵ / ₁₆	R	3 ⁷ / ₁₆	R	3509	3245	3684
600	7	7	4 ⁷ / ₁₆	SR	3 ¹⁵ / ₁₆	R	4429	4437	4651
660	7	7	4 ⁷ / ₁₆	SR	3 ¹⁵ / ₁₆	R	5283	5922	5547
730	7	7	4 ¹⁵ / ₁₆	SR	4 ⁷ / ₁₆	SR	6365	6921	6683
807	7	7	4 ¹⁵ / ₁₆	SR	4 ¹⁵ / ₁₆	SR	6376	7986	6694
890	7	7	5 ⁷ / ₁₆	SR	5 ⁷ / ₁₆	SR	7662	9516	8045

Bearing Types: B = Ball Bearing R = Unit Roller Bearings SR = Split Pillow Block Roller Bearings

BC SWSI Class IV

FAN SIZE	HOUSING		SHAFT DIAMETER & BEARINGS				BARE FAN WEIGHT (LB)		
	SIDES	SCROLL	ARR 1 & 9		ARR 3		ARR 1	ARR 3	ARR 9
			SHAFT DIA.	BEARING TYPE	SHAFT DIA.	BEARING TYPE			
122	7	7	1 ¹¹ / ₁₆	B	1 ¹¹ / ₁₆	B	176	210	185
135	7	7	1 ¹¹ / ₁₆	B	1 ¹¹ / ₁₆	B	202	248	212
150	7	7	1 ¹¹ / ₁₆	B	1 ¹¹ / ₁₆	B	236	307	248
165	7	7	1 ¹⁵ / ₁₆	B	1 ¹¹ / ₁₆	R	279	404	293
182	7	7	1 ¹⁵ / ₁₆	B	1 ¹¹ / ₁₆	R	381	438	400
200	7	7	2 ³ / ₁₆	R	1 ¹⁵ / ₁₆	R	469	481	493
222	7	7	2 ³ / ₁₆	R	1 ¹⁵ / ₁₆	R	582	531	611
245	7	7	2 ⁷ / ₁₆	R	2 ³ / ₁₆	R	697	599	732
270	7	7	2 ⁷ / ₁₆	R	2 ³ / ₁₆	R	855	710	898
300	7	7	2 ¹¹ / ₁₆	R	2 ⁷ / ₁₆	R	1079	1144	1133
330	0.25	0.25	2 ¹⁵ / ₁₆	R	2 ¹¹ / ₁₆	R	1472	1556	1546
365	0.25	0.25	3 ⁷ / ₁₆	R	2 ¹⁵ / ₁₆	R	1903	1610	1998
402	0.25	0.25	3 ⁷ / ₁₆	R	2 ¹⁵ / ₁₆	R	2340	2006	2457
445	0.25	0.25	3 ¹⁵ / ₁₆	R	3 ⁷ / ₁₆	R	2925	2486	3071
490	0.25	0.25	3 ¹⁵ / ₁₆	R	3 ⁷ / ₁₆	R	3376	2825	3545
542	0.25	0.25	4 ⁷ / ₁₆	SR	3 ¹⁵ / ₁₆	R	4391	3607	4611
600	0.25	0.25	4 ¹⁵ / ₁₆	SR	4 ⁷ / ₁₆	SR	5301	4930	5566
660	0.25	0.25	4 ¹⁵ / ₁₆	SR	4 ⁷ / ₁₆	SR	6392	6581	6712
730	0.25	0.25	5 ⁷ / ₁₆	SR	4 ¹⁵ / ₁₆	SR	7874	7690	8268
807	0.25	0.25	5 ⁷ / ₁₆	SR	5 ⁷ / ₁₆	SR	7754	8874	8142
890	0.25	0.25	5 ¹⁵ / ₁₆	SR	5 ¹⁵ / ₁₆	SR	9198	10574	9658

Bearing Types: B = Ball Bearing R = Unit Roller Bearings SR = Split Pillow Block Roller Bearings

BC DWDI Class I & II

FAN SIZE	HOUSING		SHAFT DIAMETER & BEARINGS						BARE FAN WEIGHT (LB.)			
	SIDES	SCROLL	CLASS I			CLASS II			ARR. 3		ARR. 3F	
			SHAFT DIAMETER		BEARING	SHAFT DIAMETER		BEARING	CLASS I	CLASS II	CLASS I	CLASS II
@ BRG.	@ WHEEL	TYPE	@ BRG.	@ WHEEL	TYPE	CLASS I	CLASS II	CLASS I	CLASS II			
122	14	14	1 ³ / ₁₆	1 ³ / ₁₆	B	1 ¹ / ₁₆	1 ¹ / ₁₆	B	139	153	181	199
135	14	14	1 ³ / ₁₆	1 ³ / ₁₆	B	1 ¹ / ₁₆	1 ¹ / ₁₆	B	159	174	207	226
150	14	14	1 ⁷ / ₁₆	1 ⁷ / ₁₆	B	1 ¹ / ₁₆	1 ¹ / ₁₆	B	193	212	251	276
165	14	14	1 ⁷ / ₁₆	1 ⁷ / ₁₆	B	1 ⁵ / ₁₆	1 ⁵ / ₁₆	B	222	244	289	317
182	12	14	1 ¹¹ / ₁₆	1 ¹¹ / ₁₆	B	1 ⁵ / ₁₆	1 ⁵ / ₁₆	B	248	273	322	355
200	12	14	1 ¹¹ / ₁₆	1 ¹¹ / ₁₆	B	2 ³ / ₁₆	2 ³ / ₁₆	B	344	378	447	491
222	12	14	1 ¹⁵ / ₁₆	1 ¹⁵ / ₁₆	B	2 ⁷ / ₁₆	2 ⁷ / ₁₆	B	451	496	586	645
245	12	14	2 ³ / ₁₆	2 ³ / ₁₆	B	2 ⁷ / ₁₆	2 ⁷ / ₁₆	B	509	560	662	728
270	12	14	2 ³ / ₁₆	2 ³ / ₁₆	B	2 ¹ / ₁₆	2 ¹¹ / ₁₆	R	639	703	831	914
300	10	12	2 ⁷ / ₁₆	2 ⁷ / ₁₆	B	2 ⁷ / ₁₆	2 ¹⁵ / ₁₆	R	895	985	1164	1281
330	10	12	2 ⁷ / ₁₆	2 ⁷ / ₁₆	B	2 ⁷ / ₁₆	3 ⁷ / ₁₆	R	1015	1117	1320	1452
365	10	12	2 ¹¹ / ₁₆	2 ¹¹ / ₁₆	B	2 ¹¹ / ₁₆	3 ⁷ / ₁₆	R	1352	1487	1758	1933
402	10	12	2 ⁷ / ₁₆	2 ¹⁵ / ₁₆	R	2 ¹ / ₁₆	3 ⁷ / ₁₆	R	1690	1859	2197	2417
445	10	12	2 ⁷ / ₁₆	3 ⁷ / ₁₆	R	2 ¹⁵ / ₁₆	3 ¹⁵ / ₁₆	R	2100	2310	2730	3003
490	10	12	2 ¹¹ / ₁₆	3 ⁷ / ₁₆	R	3 ⁷ / ₁₆	3 ¹⁵ / ₁₆	R	2310	2541	3003	3303
542	10	12	2 ¹⁵ / ₁₆	3 ¹⁵ / ₁₆	R	3 ⁷ / ₁₆	4 ⁷ / ₁₆	R	2946	3241	3830	4213
600	10	12	3 ⁷ / ₁₆	4 ⁷ / ₁₆	R	3 ¹⁵ / ₁₆	4 ¹⁵ / ₁₆	R	4150	4565	—	—
660	10	12	3 ⁷ / ₁₆	4 ⁷ / ₁₆	R	3 ¹⁵ / ₁₆	4 ¹⁵ / ₁₆	R	5300	5830	—	—
730	10	10	3 ¹⁵ / ₁₆	4 ¹⁵ / ₁₆	R	3 ¹⁵ / ₁₆	5 ¹⁵ / ₁₆	R	6100	6710	—	—
807	10	10	3 ¹⁵ / ₁₆	5 ⁷ / ₁₆	R	4 ⁷ / ₁₆	6 ⁷ / ₁₆	SR	7580	8338	—	—
890	7	10	3 ¹⁵ / ₁₆	5 ¹⁵ / ₁₆	R	4 ⁷ / ₁₆	6 ¹⁵ / ₁₆	SR	9100	10010	—	—
982	7	7	4 ¹⁵ / ₁₆	6 ⁷ / ₁₆	SR	5 ⁷ / ₁₆	7 ¹ / ₂	SR	11052	12157	—	—

Bearing Types: B = Ball Bearing R = Unit Roller Bearings SR = Split Pillow Block Roller Bearings

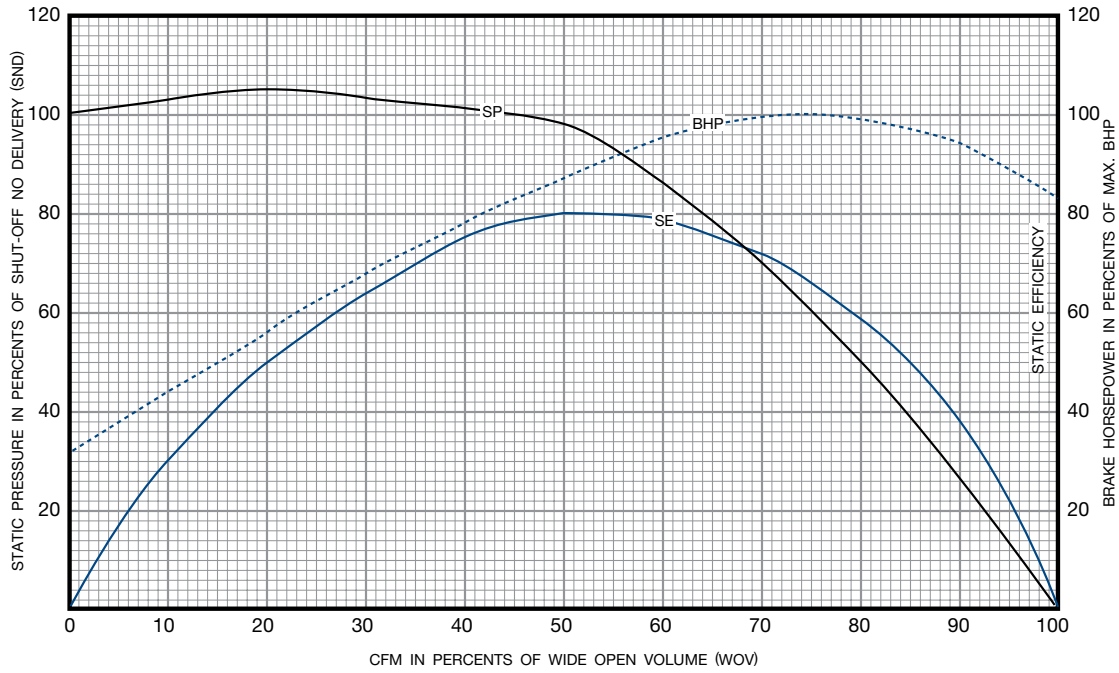
BC DWDI Class III & IV

FAN SIZE	HOUSING				SHAFT DIAMETER & BEARINGS						BARE FAN WEIGHT	
	CLASS III		CLASS IV		CLASS III			CLASS IV			ARR. 3	
	SIDES	SCROLL	SIDES	SCROLL	SHAFT DIAMETER @ BRG.	BEARING @ WHEEL	TYPE	SHAFT DIAMETER @ BRG.	BEARING @ WHEEL	TYPE	CLASS III	CLASS IV
122	CONSULT FACTORY		CONSULT FACTORY		CONSULT FACTORY			CONSULT FACTORY			CONSULT FACTORY	
135	CONSULT FACTORY		CONSULT FACTORY		CONSULT FACTORY			CONSULT FACTORY			CONSULT FACTORY	
150	CONSULT FACTORY		CONSULT FACTORY		CONSULT FACTORY			CONSULT FACTORY			CONSULT FACTORY	
165	CONSULT FACTORY		CONSULT FACTORY		CONSULT FACTORY			CONSULT FACTORY			CONSULT FACTORY	
182	10	10	7	7	2 ³ / ₁₆	2 ³ / ₁₆	R	2 ⁷ / ₁₆	2 ⁷ / ₁₆	R	464	516
200	10	10	7	7	2 ⁷ / ₁₆	2 ⁷ / ₁₆	R	2 ³ / ₁₆	2 ¹⁵ / ₁₆	SR	628	698
222	10	10	7	7	2 ⁷ / ₁₆	2 ⁷ / ₁₆	R	2 ⁷ / ₁₆	3 ⁷ / ₁₆	SR	801	892
245	7	7	7	7	2 ⁷ / ₁₆	2 ¹⁵ / ₁₆	R	2 ¹ / ₁₆	3 ¹⁵ / ₁₆	SR	884	982
270	7	7	7	7	2 ¹¹ / ₁₆	3 ⁷ / ₁₆	R	2 ¹⁵ / ₁₆	3 ¹⁵ / ₁₆	SR	1080	1200
300	7	7	7	7	2 ¹¹ / ₁₆	3 ⁷ / ₁₆	R	2 ¹⁵ / ₁₆	4 ⁷ / ₁₆	SR	1473	1637
330	7	7	0.25	0.25	2 ¹⁵ / ₁₆	3 ⁷ / ₁₆	R	3 ⁷ / ₁₆	4 ¹⁵ / ₁₆	SR	1626	1807
365	7	7	0.25	0.25	2 ¹⁵ / ₁₆	3 ¹⁵ / ₁₆	R	3 ⁷ / ₁₆	4 ¹⁵ / ₁₆	SR	2043	2271
402	7	7	0.25	0.25	3 ⁷ / ₁₆	3 ¹⁵ / ₁₆	R	3 ¹⁵ / ₁₆	5 ⁷ / ₁₆	SR	2554	2838
445	7	7	0.25	0.25	3 ⁷ / ₁₆	4 ⁷ / ₁₆	R	3 ¹⁵ / ₁₆	5 ⁷ / ₁₆	SR	3175	3528
490	7	7	0.25	0.25	3 ¹⁵ / ₁₆	4 ¹⁵ / ₁₆	R	4 ⁷ / ₁₆	5 ⁷ / ₁₆	SR	3472	3858
542	7	7	0.25	0.25	3 ¹⁵ / ₁₆	5 ⁷ / ₁₆	R	4 ⁷ / ₁₆	5 ¹⁵ / ₁₆	SR	4400	4890
600	7	7	0.25	0.25	4 ⁷ / ₁₆	5 ⁷ / ₁₆	SR	4 ¹⁵ / ₁₆	6 ⁷ / ₁₆	SR	6189	6877
660	7	7	0.25	0.25	4 ¹⁵ / ₁₆	5 ¹⁵ / ₁₆	SR	5 ⁷ / ₁₆	6 ⁷ / ₁₆	SR	8108	9010
730	7	7	0.25	0.25	4 ¹⁵ / ₁₆	6 ¹⁵ / ₁₆	SR	5 ¹⁵ / ₁₆	7 ¹ / ₂	SR	9333	10370
807	7	7	0.25	0.25	—	—	SR	—	—	SR	11597	12886
890	7	7	0.25	0.25	—	—	SR	—	—	SR	13922	15470
982	7	7	0.25	0.25	—	—	—	—	—	—	—	—

Bearing Types: B = Ball Bearing R = Unit Roller Bearings SR = Split Pillow Block Roller Bearings

SPECIFICATIONS SUBJECT TO CHANGE WITHOUT NOTICE.

Typical BC SWSI Performance Curve



The submittal drawings on pages 36 through 65 represent only a handful of the standard drawings available for layout purposes. For additional drawings refer to the Twin City Fan & Blower Fan Selector Program, Electronic Catalogs or Revit® drawings, which can be found at www.tcf.com.



BC SWSI 122

Fan Efficiency Grade = FEG80

Outlet Area - 0.86 ft² Wheel Dia. - 12.25 inches Tip Speed - 3.21 x RPM Max. BHP = 0.076 (RPM÷1000)³

CFM	OV	0.25" SP		0.50" SP		0.75" SP		1" SP		1.5" SP		2" SP		2.5" SP		3" SP		3.5" SP		4" SP		4.5" SP	
		RPM	BHP	RPM	BHP	RPM	BHP	RPM	BHP	RPM	BHP	RPM	BHP	RPM	BHP	RPM	BHP	RPM	BHP	RPM	BHP	RPM	BHP
688	800	869	0.05	1044	0.08	1195	0.12	1335	0.17														
774	900	931	0.06	1096	0.10	1240	0.14	1370	0.18														
860	1000	994	0.07	1152	0.12	1289	0.16	1413	0.21	1642	0.31												
946	1100	1058	0.09	1210	0.13	1342	0.18	1461	0.23	1677	0.34	1879	0.46										
1032	1200	1123	0.11	1271	0.16	1397	0.21	1512	0.26	1720	0.37	1911	0.49	2093	0.63								
1204	1400	1256	0.15	1397	0.21	1514	0.26	1622	0.32	1816	0.45	1992	0.58	2158	0.72	2317	0.87	2471	1.03				
1376	1600	1396	0.20	1525	0.27	1638	0.33	1738	0.40	1922	0.54	2088	0.68	2244	0.83	2390	0.98	2532	1.15	2671	1.33	2805	1.51
1548	1800	1539	0.27	1655	0.34	1765	0.42	1861	0.49	2035	0.64	2193	0.79	2340	0.95	2480	1.12	2612	1.29	2741	1.48	2866	1.67
1720	2000	1685	0.36	1790	0.43	1893	0.51	1988	0.60	2154	0.76	2305	0.93	2445	1.10	2578	1.27	2705	1.46	2827	1.65	2944	1.85
1892	2200	1834	0.46	1929	0.54	2024	0.63	2116	0.72	2277	0.90	2421	1.08	2556	1.26	2683	1.45	2805	1.65	2922	1.84	3035	2.05
2064	2400	1984	0.58	2072	0.66	2159	0.76	2245	0.86	2403	1.06	2542	1.25	2671	1.45	2794	1.65	2911	1.86	3023	2.06	3132	2.28
2236	2600	2135	0.72	2216	0.81	2297	0.91	2377	1.01	2531	1.23	2667	1.44	2791	1.66	2909	1.87	3023	2.09	3131	2.31	3236	2.54
2408	2800	2287	0.88	2363	0.98	2438	1.08	2512	1.19	2659	1.42	2793	1.66	2915	1.89	3028	2.11	3138	2.35	3243	2.58	3344	2.82
2580	3000	2439	1.07	2511	1.17	2581	1.28	2650	1.40	2789	1.64	2921	1.89	3040	2.14	3151	2.38	3256	2.63	3358	2.88	3457	3.13
2752	3200	2593	1.28	2660	1.39	2726	1.51	2791	1.63	2922	1.88	3049	2.15	3167	2.41	3276	2.68	3378	2.94	3477	3.20	3572	3.47
2924	3400	2746	1.52	2810	1.64	2872	1.76	2934	1.89	3057	2.15	3179	2.43	3295	2.72	3402	2.99	3503	3.27	3599	3.55	3691	3.83

CFM	OV	5" SP		5.5" SP		6" SP		7" SP		8" SP		9" SP		10" SP		11" SP		12" SP		13" SP		14" SP	
		RPM	BHP	RPM	BHP	RPM	BHP	RPM	BHP	RPM	BHP	RPM	BHP	RPM	BHP	RPM	BHP	RPM	BHP	RPM	BHP	RPM	BHP
1720	2000	3059	2.05	3172	2.26	3283	2.48	3500	2.94														
1892	2200	3144	2.26	3250	2.48	3355	2.71	3559	3.18	3758	3.67												
2064	2400	3238	2.50	3340	2.73	3440	2.96	3633	3.44	3821	3.95	4006	4.48	4186	5.04								
2236	2600	3337	2.77	3436	3.00	3533	3.25	3719	3.75	3898	4.27	4073	4.81	4245	5.37	4413	5.96	4578	6.56				
2408	2800	3442	3.06	3538	3.31	3631	3.56	3812	4.08	3985	4.61	4152	5.17	4315	5.74	4476	6.34						
2580	3000	3552	3.39	3645	3.64	3735	3.90	3910	4.44	4079	5.00	4240	5.57	4397	6.16	4551	6.77						
2752	3200	3665	3.74	3756	4.01	3843	4.28	4013	4.83	4176	5.40	4335	6.00	4487	6.61								
2924	3400	3781	4.11	3870	4.40	3955	4.69	4120	5.26	4279	5.86	4433	6.47	4582	7.09								
3096	3600	3901	4.52	3986	4.82	4070	5.12	4231	5.73	4386	6.34	4535	6.97										
3268	3800	4023	4.96	4106	5.27	4187	5.59	4345	6.23	4496	6.87												
3440	4000	4147	5.43	4228	5.76	4307	6.09	4461	6.75														
3612	4200	4272	5.93	4352	6.28	4430	6.62	4579	7.31														

MAXIMUM RPM: Class I — 3167 Class II — 4119 Class III — 4600 Selections above 4000 RPM not recommended. Consult factory.

BC SWSI 135

Fan Efficiency Grade = FEG80

Outlet Area - 1.05 ft² Wheel Dia. - 13.50 inches Tip Speed - 3.53 x RPM Max. BHP = 0.124 (RPM÷1000)³

CFM	OV	0.25" SP		0.50" SP		0.75" SP		1" SP		1.5" SP		2" SP		2.5" SP		3" SP		3.5" SP		4" SP		4.5" SP	
		RPM	BHP	RPM	BHP	RPM	BHP	RPM	BHP	RPM	BHP	RPM	BHP	RPM	BHP	RPM	BHP	RPM	BHP	RPM	BHP	RPM	BHP
840	800	791	0.06	949	0.10	1086	0.15	1213	0.20														
945	900	847	0.08	997	0.12	1127	0.17	1245	0.23														
1050	1000	905	0.09	1048	0.14	1172	0.19	1285	0.25	1491	0.38												
1155	1100	963	0.11	1102	0.17	1220	0.22	1328	0.28	1524	0.41	1707	0.56										
1260	1200	1022	0.13	1157	0.19	1271	0.25	1375	0.32	1563	0.45	1736	0.60	1901	0.77								
1470	1400	1144	0.18	1272	0.25	1378	0.32	1475	0.40	1651	0.54	1811	0.70	1960	0.88	2105	1.06	2244	1.26				
1680	1600	1272	0.25	1388	0.33	1491	0.41	1582	0.49	1748	0.65	1899	0.83	2039	1.01	2172	1.20	2300	1.40	2426	1.62	2548	1.85
1890	1800	1403	0.33	1508	0.42	1607	0.51	1695	0.60	1851	0.78	1995	0.97	2128	1.16	2254	1.37	2374	1.58	2490	1.80	2604	2.03
2100	2000	1537	0.44	1631	0.53	1724	0.63	1810	0.73	1960	0.93	2097	1.14	2224	1.34	2344	1.56	2459	1.78	2570	2.02	2676	2.26
2310	2200	1672	0.56	1758	0.66	1844	0.77	1927	0.88	2073	1.10	2203	1.32	2325	1.55	2441	1.78	2550	2.01	2657	2.26	2759	2.51
2520	2400	1809	0.71	1888	0.82	1967	0.93	2045	1.05	2188	1.29	2314	1.53	2431	1.78	2542	2.02	2648	2.27	2750	2.53	2848	2.79
2730	2600	1946	0.88	2020	1.00	2093	1.12	2165	1.24	2304	1.51	2428	1.77	2540	2.03	2647	2.29	2750	2.56	2848	2.83	2943	3.11
2940	2800	2085	1.09	2154	1.21	2221	1.33	2289	1.47	2422	1.75	2543	2.03	2653	2.31	2756	2.59	2855	2.88	2950	3.16	3042	3.45
3150	3000	2224	1.32	2289	1.45	2352	1.58	2415	1.72	2541	2.02	2660	2.32	2768	2.62	2868	2.92	2963	3.22	3056	3.53	3145	3.84
3360	3200	2364	1.58	2425	1.72	2485	1.86	2544	2.00	2662	2.31	2777	2.64	2884	2.96	2982	3.28	3075	3.60	3164	3.92	3251	4.25
3570	3400	2505	1.88	2562	2.02	2618	2.17	2674	2.32	2785	2.64	2895	2.98	3000	3.33	3098	3.68	3189	4.01	3276	4.35	3359	4.69

CFM	OV	5" SP		5.5" SP		6" SP		7" SP		8" SP		9" SP		10" SP		11" SP		12" SP		13" SP		14" SP	
		RPM	BHP	RPM	BHP	RPM	BHP	RPM	BHP	RPM	BHP	RPM	BHP	RPM	BHP	RPM	BHP	RPM	BHP	RPM	BHP	RPM	BHP
2100	2000	2780	2.50	2882	2.76	2982	3.03	3178	3.58														
2310	2200	2858	2.77	2954	3.03	3048	3.30	3233	3.87	3413	4.48												
2520	2400	2944	3.06	3036	3.33	3126	3.62	3301	4.20	3472	4.82	3639	5.47	3801	6.14								
2730	2600	3035	3.39	3124	3.67	3212	3.97	3380	4.57	3542													

BC SWSI 150

Fan Efficiency Grade = FEG75

Outlet Area - 1.29 ft² Wheel Dia. - 15.00 inches Tip Speed - 3.93 x RPM Max. BHP = 0.211 (RPM÷1000)³

CFM	OV	0.50" SP		1" SP		1.5" SP		2" SP		3" SP		4" SP		5" SP		6" SP		7" SP		8" SP		9" SP	
		RPM	BHP	RPM	BHP	RPM	BHP	RPM	BHP	RPM	BHP	RPM	BHP	RPM	BHP	RPM	BHP	RPM	BHP	RPM	BHP	RPM	BHP
1032	800	853	0.13	1091	0.25																		
1161	900	896	0.15	1119	0.28																		
1290	1000	941	0.17	1154	0.31	1341	0.47																
1548	1200	1038	0.23	1235	0.39	1405	0.56	1561	0.74														
1806	1400	1141	0.31	1325	0.49	1483	0.67	1627	0.86	1893	1.31												
2064	1600	1245	0.40	1420	0.60	1570	0.80	1706	1.01	1952	1.48	2181	1.99										
2322	1800	1352	0.51	1521	0.74	1662	0.96	1791	1.19	2026	1.68	2238	2.21	2441	2.80								
2580	2000	1462	0.65	1624	0.90	1759	1.14	1882	1.39	2106	1.91	2309	2.47	2499	3.08	2682	3.72	2858	4.41				
2838	2200	1576	0.81	1728	1.08	1860	1.35	1978	1.62	2192	2.18	2387	2.77	2568	3.40	2740	4.06	2907	4.76	3070	5.51		
3096	2400	1692	1.00	1834	1.28	1963	1.58	2077	1.88	2283	2.48	2470	3.10	2645	3.76	2809	4.44	2967	5.17	3121	5.93	3272	6.72
3354	2600	1811	1.22	1942	1.52	2067	1.85	2178	2.17	2376	2.81	2557	3.47	2726	4.15	2886	4.87	3037	5.62	3183	6.39	3326	7.21
3612	2800	1930	1.47	2052	1.79	2172	2.14	2282	2.49	2474	3.18	2649	3.88	2812	4.60	2966	5.34	3114	6.12	3255	6.92	3391	7.75
3870	3000	2051	1.76	2165	2.10	2279	2.46	2386	2.84	2574	3.58	2743	4.32	2902	5.08	3051	5.86	3194	6.66	3331	7.49	3463	8.35
4386	3400	2295	2.46	2397	2.83	2497	3.22	2597	3.65	2779	4.49	2940	5.33	3089	6.17	3231	7.03	3366	7.90	3495	8.78	3621	9.70
4902	3800	2543	3.34	2634	3.74	2724	4.17	2814	4.62	2988	5.57	3144	6.51	3286	7.44	3420	8.38	3549	9.34	3673	10.31	3792	11.28
5418	4200	2792	4.41	2875	4.85	2957	5.31	3038	5.79	3200	6.82	3352	7.87	3490	8.91	3618	9.93	3741	10.98	3859	12.03	3974	13.09

CFM	OV	10" SP		11" SP		12" SP		13" SP		14" SP		15" SP		16" SP		17" SP		18" SP		19" SP		20" SP	
		RPM	BHP	RPM	BHP	RPM	BHP	RPM	BHP	RPM	BHP	RPM	BHP	RPM	BHP	RPM	BHP	RPM	BHP	RPM	BHP	RPM	BHP
3096	2400	3419	7.55																				
3354	2600	3467	8.06	3604	8.93	3739	9.84																
3612	2800	3524	8.61	3656	9.51	3785	10.44																
3870	3000	3591	9.23	3717	10.15	3840	11.09	3912	11.39	4036	12.37			4200	14.09	4317	15.15						
4128	3200	3665	9.91	3786	10.85	3904	11.81	4021	12.80	4136	13.82	4250	14.86	4362	15.93	4473	17.03	4582	18.15				
4386	3400	3743	10.64	3861	11.61	3975	12.59	4088	13.61	4198	14.64	4307	15.70	4416	16.79	4523	17.91						
4644	3600	3823	11.42	3939	12.42	4051	13.43	4160	14.47	4267	15.52	4373	16.61	4477	17.72	4580	18.85						
4902	3800	3907	12.27	4020	13.29	4130	14.34	4237	15.40	4342	16.49	4444	17.59	4545	18.72								
5160	4000	3994	13.18	4104	14.23	4211	15.29	4316	16.39	4419	17.50	4520	18.65										
5418	4200	4084	14.15	4191	15.23	4296	16.33	4398	17.44	4499	18.59	4598	19.75										
5634	4600	4269	16.26	4373	17.43	4473	18.60	4572	19.79														
6450	5000	4461	18.61	4561	19.87																		

MAXIMUM RPM: Class I — 2587 Class II — 3364 Class III — 4253 Class IV — 4580 Selections above 4000 RPM not recommended. Consult factory.

BC SWSI 165

Fan Efficiency Grade = FEG75

Outlet Area - 1.57 ft² Wheel Dia. - 16.50 inches Tip Speed - 4.32 x RPM Max. BHP = 0.339 (RPM÷1000)³

CFM	OV	0.50" SP		1" SP		1.5" SP		2" SP		3" SP		4" SP		5" SP		6" SP		7" SP		8" SP		9" SP	
		RPM	BHP	RPM	BHP	RPM	BHP	RPM	BHP	RPM	BHP	RPM	BHP	RPM	BHP	RPM	BHP	RPM	BHP	RPM	BHP	RPM	BHP
1256	800	777	0.15	992	0.30																		
1413	900	816	0.18	1019	0.34																		
1570	1000	858	0.21	1051	0.38	1220	0.57																
1884	1200	947	0.29	1125	0.47	1279	0.68	1421	0.90														
2198	1400	1041	0.38	1208	0.59	1351	0.81	1482	1.05	1722	1.59												
2512	1600	1137	0.49	1295	0.73	1431	0.98	1554	1.24	1778	1.80	1985	2.40										
2826	1800	1234	0.63	1387	0.90	1516	1.17	1633	1.45	1845	2.05	2038	2.72	2222	3.40								
3140	2000	1335	0.79	1482	1.10	1604	1.39	1716	1.70	1919	2.33	2103	3.01	2275	3.74	2441	4.53	2601	5.36				
3454	2200	1440	0.99	1577	1.32	1697	1.65	1803	1.98	1998	2.66	2174	3.37	2339	4.14	2495	4.94	2646	5.80	2793	6.69		
3768	2400	1546	1.22	1674	1.57	1791	1.94	1894	2.29	2081	3.03	2250	3.78	2409	4.57	2559	5.41	2702	6.29	2841	7.21	2977	8.17
4082	2600	1654	1.49	1773	1.86	1887	2.26	1987	2.65	2167	3.43	2331	4.23	2484	5.06	2629	5.93	2766	6.84	2899	7.79	3028	8.77
4396	2800	1764	1.81	1874	2.19	1983	2.62	2082	3.04	2256	3.88	2415	4.73	2563	5.61	2702	6.50	2836	7.45	2964	8.42	3088	9.44
4710	3000	1874	2.16	1977	2.57	2080	3.01	2177	3.47	2348	4.37	2501	5.28	2645	6.20	2780	7.14	2910	8.12	3035	9.13	3154	10.16
5338	3400	2098	3.03	2190	3.48	2280	3.95	2370	4.46	2536	5.50	2682	6.52	2817	7.54	2945	8.58	3068	9.64	3185	10.71	3299	11.82
5966	3800	2324	4.11	2407	4.60	2488	5.11	2569	5.66	2727	6.82	2869	7.97	2997	9.09	3119	10.24	3236	11.41	3348	12.58	3456	13.76
6594	4200	2552	5.43	2627	5.96	2701	6.52	2774	7.10	2921	8.35	3059	9.64	3184	10.89	3301	12.15	3412	13.41	3519	14.69	3623	15.98

CFM	OV	10" SP		11" SP		12" SP		13" SP		14" SP		15" SP		16" SP		17" SP		18" SP		19" SP		20" SP	
		RPM	BHP	RPM	BHP	RPM	BHP	RPM	BHP	RPM	BHP	RPM	BHP	RPM	BHP	RPM	BHP	RPM	BHP	RPM	BHP	RPM	BHP
3768	2400	3111	9.18																				
4082	2600	3155	9.80	3280	10.86	3402	11.96																
4396	2800	3209	10.49	3328	11.57	3445	12.70	3560	13.85	3673	15.04												
4710	3000	3271	11.25	3384	12.35	3496	13.50	3606	14.67	3715	15.89	3822	17.13	3928	18.41								
5024	3200	3338	12.07	3448	13.21	3555	14.37	3661	15.58	3765	16.81	3868	18.07	3970	19.37	4070	20.70	4169	22.05				
5338	3400	3410	12.97	3516	14.13	3621	15.34	3722	16.55	3823	17.82	3921	19.10	4019	20.42	4116	21.77	4212	23.15	4307	24.56	4400	25.99
5652	3600	3483	13.92	3588	15.13	3690	16.36	3789	17.62	3886	18.90	3982	20.22	4076	21.56	4169	22.93	4262	24.34	4353	25.76	4444	27.22
5966	3800	3560	14.96	3662	16.19	3762	17.46	3860	18.77	3955	20.09	4047	21.41	4139	22.79	4229	24.19	4318	25.61	4406	27.06	4493	28.52
6280	4000	3640	16.08	3740	17.35	3837	18.65	3933	19.98	4026	21.33	4117	22.71	4206	24.11	4294	25.54	4380	26.98	4465	28.44	4550	29.95
6594	4200	3723	17.28	3840	18.59	3915	19.92	4008	21.27	4099	22.65	4189	24.07	4276	25.50	4362	26.96	4446	28.43	4529	29.93		
7222	4600	3893	19.87	3987	21.29	4078	22.71	4167	24.14	4254	25.59	4339	27.05	4424	28.57	4507	30.09	4588	31.63				
7850	5000	4069	22.75	4159	24.26	4247																	

BC SWSI 182

Fan Efficiency Grade = FEG80

Outlet Area - 1.92 ft² Wheel Dia. - 18.25 inches Tip Speed - 4.78 x RPM Max. BHP = 0.552 (RPM÷1000)³

CFM	OV	0.50" SP		1" SP		1.5" SP		2" SP		3" SP		4" SP		5" SP		6" SP		7" SP		8" SP		9" SP	
		RPM	BHP	RPM	BHP	RPM	BHP	RPM	BHP	RPM	BHP	RPM	BHP	RPM	BHP	RPM	BHP	RPM	BHP	RPM	BHP	RPM	BHP
1536	800	695	0.17																				
1728	900	724	0.20	932	0.38																		
1920	1000	757	0.24	951	0.42	1126	0.64																
2304	1200	831	0.32	1002	0.53	1160	0.76	1306	1.02														
2688	1400	914	0.42	1066	0.66	1208	0.91	1342	1.19														
3072	1600	1003	0.55	1138	0.81	1267	1.09	1391	1.39	1621	2.03												
3456	1800	1096	0.71	1217	1.00	1335	1.30	1449	1.62	1663	2.30	1864	3.06										
3840	2000	1191	0.91	1302	1.22	1409	1.55	1514	1.88	1714	2.61	1903	3.40	2081	4.24	2252	5.15						
4224	2200	1288	1.13	1391	1.48	1489	1.83	1586	2.20	1773	2.96	1950	3.78	2120	4.67	2282	5.60	2437	6.58				
4608	2400	1387	1.40	1482	1.78	1573	2.16	1663	2.55	1838	3.36	2005	4.22	2165	5.13	2320	6.11	2469	7.13	2612	8.18		
4992	2600	1487	1.71	1576	2.12	1661	2.53	1744	2.94	1908	3.81	2066	4.71	2218	5.66	2365	6.67	2507	7.72	2645	8.81	2779	9.95
5376	2800	1588	2.07	1671	2.50	1751	2.94	1829	3.39	1982	4.30	2132	5.25	2276	6.25	2416	7.28	2553	8.38	2685	9.51	2814	10.68
5760	3000	1689	2.47	1768	2.94	1843	3.41	1917	3.88	2061	4.86	2202	5.85	2340	6.89	2473	7.97	2604	9.09	2730	10.25	2854	11.46
6528	3400	1895	3.46	1964	3.98	2032	4.50	2099	5.04	2227	6.12	2354	7.23	2479	8.36	2601	9.53	2720	10.73	2837	11.97	2952	13.25
7296	3800	2102	4.68	2165	5.26	2226	5.85	2287	6.45	2404	7.64	2518	8.85	2631	10.09	2743	11.35	2853	12.64	2961	13.97	3067	15.33
8064	4200	2310	6.17	2368	6.82	2424	7.47	2479	8.12	2587	9.43	2692	10.76	2795	12.11	2897	13.48	2999	14.87	3099	16.28	3197	17.71

CFM	OV	10" SP		11" SP		12" SP		13" SP		14" SP		15" SP		16" SP		17" SP		18" SP		19" SP		20" SP	
		RPM	BHP	RPM	BHP	RPM	BHP	RPM	BHP	RPM	BHP	RPM	BHP	RPM	BHP	RPM	BHP	RPM	BHP	RPM	BHP	RPM	BHP
4608	2400																						
4992	2600	2909	11.13																				
5376	2800	2939	11.89	3061	13.14																		
5760	3000	2975	12.71	3093	13.99	3208	15.31	3321	16.66														
6144	3200	3017	13.60	3131	14.92	3243	16.28	3352	17.66	3459	19.08	3565	20.54										
6528	3400	3064	14.56	3174	15.91	3282	17.30	3388	18.72	3492	20.17	3594	21.66	3695	23.19	3794	24.74						
6912	3600	3116	15.60	3222	16.99	3326	18.40	3429	19.87	3530	21.35	3630	22.89	3727	24.42	3823	26.00	3918	27.62	4012	29.27		
7296	3800	3172	16.72	3274	18.13	3375	19.59	3475	21.10	3573	22.62	3669	24.17	3764	25.75	3858	27.38	3950	29.01	4041	30.69	4131	32.40
7680	4000	3231	17.91	3331	19.39	3428	20.86	3525	22.40	3620	23.97	3713	25.55	3806	27.18	3897	28.83	3987	30.51	4075	32.20	4163	33.94
8064	4200	3295	19.21	3391	20.71	3485	22.23	3579	23.81	3671	25.40	3761	27.01	3851	28.67	3940	30.37	4027	32.07	4114	33.82	4199	35.58
8632	4600	3431	22.03	3520	23.61	3609	25.24	3696	26.87	3783	28.59	3869	30.25	3954	31.98	4037	33.71	4120	35.50	4202	37.32	4283	39.15
9600	5000	3577	25.23	3620	26.90	3744	28.59	3827	30.34	3908	32.09	3989	33.87	4069	35.67	4148	37.49	4227	39.36	4305	41.24	4382	43.14

MAXIMUM RPM: Class I — 2118 Class II — 2729 Class III — 3473 Class IV — 3766

BC SWSI 200

Fan Efficiency Grade = FEG80

Outlet Area - 2.30 ft² Wheel Dia. - 20.00 inches Tip Speed - 5.24 x RPM Max. BHP = 0.872 (RPM÷1000)³

CFM	OV	0.50" SP		1" SP		1.5" SP		2" SP		3" SP		4" SP		5" SP		6" SP		7" SP		8" SP		9" SP	
		RPM	BHP	RPM	BHP	RPM	BHP	RPM	BHP	RPM	BHP	RPM	BHP	RPM	BHP	RPM	BHP	RPM	BHP	RPM	BHP	RPM	BHP
1840	800	634	0.21																				
2070	900	660	0.24	850	0.46																		
2300	1000	690	0.28	868	0.51	1027	0.77																
2760	1200	758	0.38	914	0.63	1058	0.91	1191	1.22														
3220	1400	833	0.51	971	0.78	1102	1.09	1224	1.42														
3680	1600	914	0.66	1037	0.97	1155	1.30	1268	1.66	1479	2.44												
4140	1800	998	0.85	1109	1.20	1217	1.56	1321	1.94	1517	2.76	1700	3.66										
4600	2000	1085	1.08	1186	1.46	1284	1.85	1380	2.25	1563	3.12	1735	4.07	1899	5.09	2054	6.17						
5060	2200	1173	1.35	1267	1.77	1357	2.19	1445	2.62	1616	3.54	1778	4.53	1933	5.59	2081	6.71	2223	7.89				
5520	2400	1263	1.67	1350	2.12	1433	2.58	1515	3.05	1675	4.02	1828	5.05	1975	6.15	2116	7.32	2252	8.54	2383	9.81		
5980	2600	1354	2.04	1435	2.53	1513	3.02	1589	3.52	1739	4.55	1883	5.64	2022	6.78	2157	7.99	2287	9.25	2413	10.56	2535	11.93
6440	2800	1446	2.47	1522	2.99	1595	3.52	1666	4.05	1806	5.14	1943	6.28	2075	7.48	2203	8.72	2328	10.03	2449	11.39	2566	12.79
6900	3000	1538	2.95	1610	3.51	1679	4.07	1746	4.64	1878	5.81	2007	7.00	2133	8.25	2255	9.54	2374	10.88	2490	12.28	2603	13.73
7820	3400	1725	4.12	1789	4.75	1851	5.38	1911	6.02	2029	7.31	2145	8.65	2259	10.00	2371	11.40	2480	12.84	2587	14.33	2691	15.85
8740	3800	1913	5.58	1971	6.28	2027	6.98	2082	7.69	2189	9.12	2294	10.58	2398	12.08	2500	13.58	2600	15.12	2699	16.72	2796	18.34
9660	4200	2103	7.36	2155	8.13	2207	8.91	2257	9.68	2356	11.26	2452	12.86	2546	14.47	2640	16.12	2733	17.79	2824	19.47	2914	21.19

CFM	OV	10" SP		11" SP		12" SP		13" SP		14" SP		15" SP		16" SP		17" SP		18" SP		19" SP		20" SP	
		RPM	BHP	RPM	BHP	RPM	BHP	RPM	BHP	RPM	BHP	RPM	BHP	RPM	BHP	RPM	BHP	RPM	BHP	RPM	BHP	RPM	BHP
5520	2400																						
5980	2600	2654	13.35																				
6440	2800	2681	14.25	2792	15.74																		
6900	3000	2713	15.22	2821	16.76	2926	18.34	3030	19.98														
7360	3200	2751	16.28	2856	17.88	2958	19.50	3057	21.15	3155	22.85	3252	24.61										
7820	3400	2794	17.44	2894	19.05	2993	20.72	3090	22.43	3185	24.17	3279	25.97	3370	27.77								

BC SWSI 222

Fan Efficiency Grade = FEG80

Outlet Area - 2.85 ft²

Wheel Dia. - 22.25 inches

Tip Speed - 5.83 x RPM

Max. BHP = 1.49 (RPM÷1000)³

CFM	OV	0.50" SP		1" SP		1.5" SP		2" SP		3" SP		4" SP		5" SP		6" SP		7" SP		8" SP		9" SP	
		RPM	BHP	RPM	BHP	RPM	BHP	RPM	BHP	RPM	BHP	RPM	BHP	RPM	BHP	RPM	BHP	RPM	BHP	RPM	BHP	RPM	BHP
2280	800	570	0.26																				
2565	900	594	0.30	764	0.57																		
2850	1000	621	0.35	780	0.63	923	0.95																
3420	1200	681	0.47	822	0.78	951	1.13	1071	1.52														
3990	1400	749	0.63	874	0.97	991	1.35	1101	1.76														
4560	1600	822	0.82	933	1.21	1039	1.62	1140	2.05	1330	3.02												
5130	1800	898	1.06	998	1.49	1094	1.93	1188	2.40	1364	3.42	1528	4.53										
5700	2000	976	1.34	1067	1.81	1155	2.29	1241	2.79	1405	3.87	1560	5.04	1707	6.30	1847	7.64						
6270	2200	1055	1.68	1139	2.19	1220	2.71	1300	3.26	1453	4.39	1599	5.61	1738	6.92	1871	8.31	1999	9.78				
6840	2400	1136	2.07	1214	2.63	1289	3.20	1363	3.78	1506	4.98	1644	6.27	1775	7.62	1902	9.06	2024	10.57	2142	12.15		
7410	2600	1218	2.53	1291	3.13	1361	3.74	1429	4.36	1564	5.64	1693	6.98	1818	8.40	1939	9.89	2056	11.46	2169	13.08	2279	14.78
7980	2800	1301	3.06	1369	3.71	1435	4.36	1499	5.02	1625	6.38	1747	7.78	1866	9.27	1981	10.81	2093	12.43	2202	14.12	2307	15.84
8550	3000	1384	3.67	1448	4.35	1510	5.05	1571	5.76	1689	7.20	1805	8.68	1918	10.22	2028	11.83	2135	13.50	2239	15.23	2340	17.01
9690	3400	1552	5.11	1609	5.89	1665	6.68	1720	7.47	1825	9.07	1929	10.72	2032	12.40	2132	14.13	2230	15.92	2326	17.76	2420	19.65
10830	3800	1722	6.93	1773	7.79	1824	8.67	1874	9.55	1970	11.33	2064	13.14	2157	14.98	2248	16.83	2339	18.76	2427	20.72	2514	22.73
11970	4200	1893	9.15	1940	10.10	1986	11.06	2031	12.02	2120	13.98	2206	15.96	2290	17.95	2375	20.01	2458	22.06	2540	24.14	2621	26.29

CFM	OV	10" SP		11" SP		12" SP		13" SP		14" SP		15" SP		16" SP		17" SP		18" SP		19" SP		20" SP	
		RPM	BHP	RPM	BHP	RPM	BHP	RPM	BHP	RPM	BHP	RPM	BHP	RPM	BHP	RPM	BHP	RPM	BHP	RPM	BHP	RPM	BHP
6840	2400																						
7410	2600	2386	16.54																				
7980	2800	2410	17.65	2510	19.50																		
8550	3000	2440	18.87	2536	20.76	2631	22.73	2724	24.75														
9120	3200	2474	20.19	2567	22.13	2659	24.15	2749	26.22	2837	28.33	2923	30.48										
9690	3400	2512	21.60	2603	23.63	2691	25.67	2778	27.78	2864	29.96	2948	32.18	3030	34.42	3112	36.74						
10260	3600	2554	23.13	2642	25.21	2727	27.31	2812	29.50	2895	31.71	2976	33.95	3057	36.28	3135	38.60	3213	41.00	3290	43.45		
10830	3800	2600	24.80	2685	26.93	2767	29.07	2849	31.30	2929	33.55	3009	35.89	3087	38.24	3164	40.65	3243	43.06	3314	45.56	3388	48.11
11400	4000	2649	26.58	2731	28.77	2811	30.97	2890	33.24	2968	35.56	3045	37.93	3120	40.31	3195	42.77	3269	45.27	3342	47.81	3414	50.40
11970	4200	2701	28.49	2780	30.73	2857	32.98	2934	35.31	3009	37.66	3084	40.09	3158	42.57	3230	45.04	3302	47.60	3373	50.18	3443	52.80
13110	4600	2812	32.66	2886	35.04	2958	37.42	3030	39.86	3102	42.38	3172	44.88	3241	47.42	3310	50.03	3378	52.68	3445	55.36	3512	58.11
14250	5000	2932	37.42	3001	39.90	3069	42.41	3137	45.00	3204	47.61	3270	50.24	3336	52.94	3401	55.64	3466	58.42	3529	61.16	3593	64.03

MAXIMUM RPM: Class I — 1737 Class II — 2238 Class III — 2848 Class IV — 3088

BC SWSI 245

Fan Efficiency Grade = FEG80

Outlet Area - 3.45 ft²

Wheel Dia. - 24.50 inches

Tip Speed - 6.41 x RPM

Max. BHP = 2.40 (RPM÷1000)³

CFM	OV	0.50" SP		1" SP		1.5" SP		2" SP		3" SP		4" SP		5" SP		6" SP		7" SP		8" SP		9" SP	
		RPM	BHP	RPM	BHP	RPM	BHP	RPM	BHP	RPM	BHP	RPM	BHP	RPM	BHP	RPM	BHP	RPM	BHP	RPM	BHP	RPM	BHP
2760	800	517	0.31																				
3105	900	539	0.36	694	0.69																		
3450	1000	563	0.42	708	0.76	838	1.15																
4140	1200	618	0.57	746	0.95	863	1.37	972	1.84														
4830	1400	680	0.76	793	1.18	899	1.63	999	2.13														
5520	1600	746	0.99	846	1.46	943	1.96	1035	2.49	1207	3.65												
6210	1800	815	1.28	905	1.79	993	2.33	1078	2.90	1238	4.13	1388	5.49										
6900	2000	885	1.62	968	2.19	1048	2.77	1126	3.38	1276	4.69	1416	6.10	1550	7.63	1677	9.25						
7590	2200	957	2.03	1034	2.65	1107	3.28	1180	3.94	1319	5.32	1452	6.80	1578	8.38	1699	10.07	1815	11.84				
8280	2400	1031	2.51	1101	3.17	1170	3.87	1237	4.57	1367	6.02	1492	7.58	1612	9.23	1727	10.97	1838	12.80	1945	14.71		
8970	2600	1105	3.06	1171	3.79	1235	4.53	1297	5.28	1419	6.82	1537	8.46	1651	10.18	1760	11.97	1867	13.88	1969	15.83	2069	17.89
9660	2800	1180	3.70	1242	4.48	1301	5.26	1360	6.07	1474	7.71	1586	9.43	1694	11.22	1798	13.07	1900	15.04	1999	17.08	2095	19.19
10350	3000	1255	4.42	1313	5.25	1370	6.10	1425	6.96	1532	8.70	1638	10.49	1741	12.37	1840	14.30	1938	16.33	2032	18.41	2125	20.60
11730	3400	1408	6.18	1460	7.12	1510	8.06	1560	9.03	1656	10.97	1751	12.97	1844	15.00	1935	17.09	2024	19.26	2111	21.48	2197	23.79
13110	3800	1561	8.36	1608	9.41	1654	10.46	1699	11.53	1787	13.69	1872	15.87	1957	18.11	2040	20.36	2122	22.67	2203	25.07	2282	27.51
14490	4200	1716	11.03	1759	12.19	1801	13.36	1842	14.52	1923	16.90	2001	19.28	2078	21.71	2155	24.19	2230	26.66	2305	29.20	2379	31.81

CFM	OV	10" SP		11" SP		12" SP		13" SP		14" SP		15" SP		16" SP		17" SP		18" SP		19" SP		20" SP	
		RPM	BHP	RPM	BHP	RPM	BHP	RPM	BHP	RPM	BHP	RPM	BHP	RPM	BHP	RPM	BHP	RPM	BHP	RPM	BHP	RPM	BHP
8280	2400																						
8970	2600	2166	20.01																				
9660	2800	2188	21.36	2279	23.61																		
10350	3000	2215	22.84	2303	25.15	2389	27.53	2473	29.96														
11040	3200	2246	24.44	2331	26.81	2414	29.23	2496	31.75	2576	34.31	2654											

BC SWSI 270

Fan Efficiency Grade = FEG85

Outlet Area - 4.19 ft²

Wheel Dia. - 27.00 inches

Tip Speed - 7.08 x RPM

Max. BHP = 4.05 (RPM÷1000)³

CFM	OV	0.50" SP		1" SP		1.5" SP		2" SP		3" SP		4" SP		5" SP		6" SP		7" SP		8" SP		9" SP	
		RPM	BHP	RPM	BHP	RPM	BHP	RPM	BHP	RPM	BHP	RPM	BHP	RPM	BHP	RPM	BHP	RPM	BHP	RPM	BHP	RPM	BHP
3352	800	457	0.36	592	0.72																		
3771	900	480	0.43	603	0.79	725	1.27																
4190	1000	504	0.50	621	0.89	726	1.33																
5028	1200	557	0.69	661	1.11	755	1.59	843	2.12														
5866	1400	614	0.91	709	1.40	795	1.92	875	2.48	1026	3.75												
6704	1600	674	1.20	761	1.75	840	2.32	914	2.91	1051	4.21	1184	5.74										
7542	1800	736	1.54	816	2.15	890	2.78	959	3.43	1088	4.82	1206	6.32	1324	8.05	1449	10.16						
8380	2000	800	1.96	874	2.63	943	3.33	1007	4.02	1128	5.49	1241	7.08	1346	8.77	1452	10.68	1564	12.93				
9218	2200	865	2.45	934	3.19	998	3.94	1059	4.70	1174	6.30	1280	7.95	1381	9.72	1476	11.58	1572	13.64	1672	15.99		
10056	2400	932	3.04	995	3.83	1056	4.65	1113	5.47	1222	7.17	1323	8.93	1419	10.77	1511	12.72	1598	14.74	1686	16.95	1776	19.38
10894	2600	999	3.71	1058	4.57	1115	5.45	1169	6.33	1272	8.14	1369	10.02	1461	11.95	1549	13.97	1633	16.07	1714	18.25	1795	20.60
11732	2800	1066	4.47	1122	5.41	1176	6.35	1227	7.29	1325	9.22	1418	11.22	1506	13.26	1590	15.36	1671	17.53	1750	19.82	1825	22.13
12570	3000	1135	5.36	1187	6.36	1238	7.37	1287	8.38	1380	10.42	1469	12.53	1553	14.68	1634	16.88	1712	19.14	1788	21.49	1862	23.93
14246	3400	1272	7.47	1320	8.62	1365	9.75	1409	10.88	1495	13.19	1576	15.53	1654	17.90	1729	20.32	1802	22.81	1872	25.30	1941	27.89
15922	3800	1412	10.14	1454	11.39	1495	12.65	1536	13.94	1614	16.48	1689	19.05	1762	21.70	1832	24.35	1900	27.04	1966	29.78	2030	32.54
17598	4200	1551	13.36	1590	14.76	1628	16.16	1665	17.56	1737	20.37	1807	23.20	1875	26.08	1940	28.96	2004	31.89	2066	34.85	2127	37.86

CFM	OV	10" SP		11" SP		12" SP		13" SP		14" SP		15" SP		16" SP		17" SP		18" SP		19" SP		20" SP	
		RPM	BHP	RPM	BHP	RPM	BHP	RPM	BHP	RPM	BHP	RPM	BHP	RPM	BHP	RPM	BHP	RPM	BHP	RPM	BHP	RPM	BHP
10056	2400	1869	22.11																				
10894	2600	1876	23.09	1961	25.89	2048	28.95																
11732	2800	1900	24.59	1975	27.19	2052	30.02	2131	33.09	2212	36.43												
12570	3000	1933	26.41	2002	28.95	2072	31.67	2142	34.51	2215	37.64	2289	40.97	2365	44.56								
13408	3200	1969	28.38	2036	31.00	2102	33.72	2167	36.51	2233	39.48	2299	42.56	2367	45.89	2437	49.48	2508	53.28				
14246	3400	2008	30.53	2074	33.27	2138	36.06	2200	38.88	2261	41.76	2323	44.82	2385	48.00	2447	51.29	2511	54.82	2577	58.62	2644	62.64
15084	3600	2049	32.84	2113	35.64	2175	38.49	2236	41.42	2296	44.43	2354	47.44	2412	50.56	2470	53.79	2528	57.13	2588	60.71	2648	64.40
15922	3800	2093	35.36	2154	38.20	2215	41.16	2274	44.13	2333	47.25	2390	50.36	2445	53.47	2501	56.76	2556	60.08	2610	63.44	2666	67.04
16760	4000	2139	38.07	2198	40.98	2257	44.01	2314	47.04	2371	50.19	2427	53.40	2482	56.68	2536	60.00	2588	63.28	2641	66.75	2693	70.24
17598	4200	2186	40.89	2244	43.96	2301	47.06	2357	50.21	2412	53.41	2466	56.65	2520	60.01	2573	63.42	2625	66.88	2675	70.29	2726	73.88
19274	4600	2285	47.08	2340	50.38	2394	53.71	2448	57.13	2500	60.50	2551	63.89	2602	67.38	2652	70.90	2702	74.52	2751	78.16	2799	81.84
20950	5000	2390	54.70	2442	57.59	2493	61.11	2544	64.73	2594	68.37	2643	72.02	2691	75.66	2739	79.38	2786	83.11	2833	86.92	2879	90.74

MAXIMUM RPM: Class I — 1397 Class II — 1803 Class III — 2287 Class IV — 2544

BC SWSI 300

Fan Efficiency Grade = FEG85

Outlet Area - 5.17 ft²

Wheel Dia. - 30.00 inches

Tip Speed - 7.85 x RPM

Max. BHP = 6.86 (RPM÷1000)³

CFM	OV	0.50" SP		1" SP		1.5" SP		2" SP		3" SP		4" SP		5" SP		6" SP		7" SP		8" SP		9" SP	
		RPM	BHP	RPM	BHP	RPM	BHP	RPM	BHP	RPM	BHP	RPM	BHP	RPM	BHP	RPM	BHP	RPM	BHP	RPM	BHP	RPM	BHP
4136	800	411	0.45	533	0.89																		
4653	900	431	0.53	543	0.98	652	1.57																
5170	1000	453	0.62	558	1.09	653	1.64																
6204	1200	501	0.84	595	1.38	680	1.96	758	2.61														
7238	1400	552	1.12	638	1.73	715	2.36	787	3.05	923	4.63												
8272	1600	606	1.47	684	2.15	756	2.86	823	3.60	946	5.20	1065	7.08										
9306	1800	662	1.90	734	2.65	801	3.44	863	4.24	979	5.94	1085	7.79	1192	9.95	1304	12.53						
10340	2000	720	2.42	786	3.24	848	4.09	906	4.96	1015	6.78	1117	8.75	1212	10.84	1307	13.18	1408	15.98				
11374	2200	778	3.02	840	3.93	898	4.86	953	5.80	1056	7.76	1152	9.81	1242	11.98	1329	14.31	1415	16.84	1505	19.75		
12408	2400	838	3.74	895	4.72	950	5.73	1002	6.76	1099	8.84	1190	11.00	1277	13.29	1359	15.67	1438	18.18	1517	20.90	1598	23.91
13442	2600	898	4.56	952	5.64	1003	6.71	1052	7.81	1145	10.05	1232	12.36	1314	14.73	1394	17.24	1470	19.85	1543	22.55	1615	25.40
14476	2800	959	5.51	1010	6.68	1058	7.84	1104	8.99	1192	11.37	1276	13.84	1355	16.36	1430	18.92	1504	21.64	1575	24.46	1643	27.34
15510	3000	1021	6.61	1068	7.84	1114	9.09	1158	10.33	1242	12.87	1321	15.43	1397	18.09	1470	20.82	1540	23.59	1609	26.51	1675	29.50
17578	3400	1145	9.23	1187	10.62	1228	12.02	1268	13.43	1345	16.27	1418	19.15	1488	22.08	1556	25.08	1621	28.12	1685	31.25	1746	34.37
19646	3800	1270	12.50	1308	14.05	1345	15.60	1382	17.20	1452	20.32	1520	23.52	1585	26.75	1648	30.02	1709	33.33	1769	36.74	1827	40.17
21714	4200	1396	16.50	1430	18.19	1465	19.95	1498	21.66	1563	25.13	1626	28.63	1687	32.17	1746	35.75	1803	39.34	1859	42.99	1913	46.65

CFM	OV	10" SP		11" SP		12" SP		13" SP		14" SP		15" SP		16" SP		17" SP		18" SP		19" SP		20" SP	
		RPM	BHP	RPM	BHP	RPM	BHP	RPM	BHP	RPM	BHP	RPM	BHP	RPM	BHP	RPM	BHP	RPM	BHP	RPM	BHP	RPM	BHP
12408	2400	1682	27.28																				
13442	2600	1688	28.47	1765	31.96	1843	35.72																
14476	2800	1710	30.36	1777	33.54	1847	37.06	1918	40.85	1991	44.97												
15510	3000	1739	32.56	1802	35.75	1865	39.10	1928	42.61	1993	46.42	2060	50.56	2129	55.04								
16544	3200	1772	35.02	1833	38.31	1892	41.63	1950	45.05	2009	48.68	2069	52.53	2131	56.70	2194	61.13	2257	65.74				
17578	3400	1807	37.67	1866	41.03	1923	44.43	1980	47.99	2035	51.56	2090	55.27	2146	59.21	2202	63.28	2260	67.68	2319	72.33	2379	77.26
18612	3600	1844	40.53	1901	43.95	1958	47.55	2012	51.10	2066	54.81	2118	58.51	2171	62.43	2223	66.40	2275	70.50	2329	74.92	2383	79.48
19646	3800	1883	43.61	1939	47.18	1993	50.77	2047	54.51	2099	58.26	2150	62.08	2201	66.05	2250	69.97	2300	74.12	2349	78.30	2399	82.71</

BC SWSI 330

Fan Efficiency Grade = FEG80

Outlet Area - 6.26 ft²

Wheel Dia. - 33.00 inches

Tip Speed - 8.64 x RPM

Max. BHP = 11.05 (RPM÷1000)³

CFM	OV	0.50" SP		1" SP		1.5" SP		2" SP		3" SP		4" SP		5" SP		6" SP		7" SP		8" SP		9" SP	
		RPM	BHP	RPM	BHP	RPM	BHP	RPM	BHP	RPM	BHP	RPM	BHP	RPM	BHP	RPM	BHP	RPM	BHP	RPM	BHP	RPM	BHP
5008	800	374	0.54	484	1.07																		
5634	900	392	0.64	493	1.18	593	1.90																
6260	1000	412	0.75	508	1.33	594	1.99																
7512	1200	455	1.02	541	1.67	618	2.37	690	3.17														
8764	1400	502	1.36	580	2.09	650	2.86	716	3.70	839	5.60												
10016	1600	551	1.78	622	2.60	688	3.47	748	4.35	860	6.30	968	8.56										
11268	1800	602	2.30	668	3.22	728	4.16	785	5.14	890	7.19	987	9.45	1083	12.02	1186	15.19						
12520	2000	655	2.93	715	3.93	771	4.96	824	6.01	923	8.21	1015	10.57	1102	13.13	1188	15.95	1280	19.34				
13772	2200	708	3.66	764	4.77	817	5.89	867	7.04	960	9.39	1047	11.86	1130	14.53	1208	17.31	1286	20.37	1368	23.89		
15024	2400	762	4.52	814	5.72	864	6.95	911	8.18	1000	10.72	1082	13.32	1161	16.09	1236	18.99	1308	22.04	1379	25.29	1453	28.95
16276	2600	817	5.53	866	6.84	912	8.13	957	9.47	1041	12.17	1120	14.96	1195	17.84	1267	20.85	1336	24.00	1403	27.31	1468	30.73
17528	2800	873	6.70	918	8.08	962	9.49	1004	10.89	1084	13.77	1160	16.75	1232	19.81	1301	22.95	1367	26.17	1432	29.61	1494	33.11
18780	3000	929	8.02	972	9.52	1013	11.01	1053	12.51	1129	15.56	1202	18.73	1271	21.95	1337	25.23	1401	28.61	1463	32.10	1523	35.72
21284	3400	1041	11.17	1080	12.88	1117	14.57	1153	16.26	1223	19.70	1290	23.22	1353	26.73	1415	30.38	1474	34.05	1532	37.83	1588	41.65
23788	3800	1155	15.14	1190	17.04	1224	18.94	1257	20.84	1321	24.65	1382	28.47	1441	32.37	1499	36.38	1554	40.36	1608	44.45	1661	48.62
26292	4200	1270	20.01	1301	22.05	1332	24.14	1363	26.28	1422	30.48	1479	34.70	1534	38.95	1587	43.24	1640	47.68	1690	52.02	1740	56.54

CFM	OV	10" SP		11" SP		12" SP		13" SP		14" SP		15" SP		16" SP		17" SP		18" SP		19" SP		20" SP	
		RPM	BHP	RPM	BHP	RPM	BHP	RPM	BHP	RPM	BHP	RPM	BHP	RPM	BHP	RPM	BHP	RPM	BHP	RPM	BHP	RPM	BHP
15024	2400	1529	33.02																				
16276	2600	1535	34.49	1605	38.71	1676	43.27																
17528	2800	1555	36.77	1616	40.63	1679	44.85	1744	49.47	1810	54.43												
18780	3000	1581	39.42	1638	43.25	1695	47.29	1753	51.60	1812	56.20	1873	61.22	1935	66.58								
20032	3200	1611	42.39	1666	46.33	1720	50.39	1773	54.54	1827	58.98	1881	63.59	1937	68.59	1994	73.93	2052	79.59				
21284	3400	1643	45.61	1697	49.71	1749	53.84	1800	58.08	1850	62.40	1900	66.90	1951	71.67	2002	76.61	2055	81.96	2108	87.52	2163	93.54
22536	3600	1677	49.10	1729	53.27	1780	57.55	1830	61.94	1878	66.31	1926	70.87	1974	75.59	2021	80.37	2069	85.42	2117	90.64	2167	96.28
23788	3800	1712	52.79	1763	57.12	1812	61.45	1861	65.98	1909	70.60	1955	75.19	2001	79.95	2046	84.75	2091	89.72	2136	94.84	2181	100.11
25040	4000	1750	56.85	1799	61.29	1847	65.79	1894	70.35	1940	74.99	1986	79.81	2031	84.70	2075	89.64	2118	94.61	2161	99.74	2203	104.88
26292	4200	1789	61.13	1836	65.67	1883	70.35	1929	75.07	1974	79.85	2018	84.67	2062	89.67	2105	94.72	2148	99.95	2189	105.05	2230	110.31
28796	4600	1870	70.39	1915	75.31	1959	80.27	2003	85.36	2045	90.32	2087	95.42	2129	100.67	2170	105.93	2211	111.36	2251	116.79	2290	122.24
31300	5000	1955	80.75	1998	86.04	2040	91.33	2082	96.78	2122	102.09	2163	107.67	2202	113.06	2241	118.59	2280	124.24	2318	129.87	2355	135.47

MAXIMUM RPM: Class I — 1143 Class II — 1475 Class III — 1871 Class IV — 2081

BC SWSI 365

Fan Efficiency Grade = FEG85

Outlet Area - 7.66 ft²

Wheel Dia. - 36.50 inches

Tip Speed - 9.56 x RPM

Max. BHP = 19.42 (RPM÷1000)³

CFM	OV	0.50" SP		1" SP		1.5" SP		2" SP		3" SP		4" SP		5" SP		6" SP		7" SP		8" SP		9" SP	
		RPM	BHP	RPM	BHP	RPM	BHP	RPM	BHP	RPM	BHP	RPM	BHP	RPM	BHP	RPM	BHP	RPM	BHP	RPM	BHP	RPM	BHP
6128	800	326	0.65	430	1.27																		
6894	900	342	0.76	435	1.41																		
7660	1000	359	0.89	445	1.58	527	2.37																
9192	1200	397	1.20	472	1.99	543	2.86	610	3.77														
10724	1400	439	1.60	505	2.48	567	3.41	628	4.44	744	6.63												
12256	1600	483	2.09	542	3.07	598	4.09	653	5.20	758	7.57	859	10.14										
13788	1800	529	2.70	582	3.77	633	4.89	683	6.08	779	8.62	871	11.33	961	14.26								
15320	2000	577	3.46	625	4.61	671	5.82	717	7.09	805	9.79	890	12.68	972	15.70	1053	18.93						
16852	2200	625	4.34	669	5.58	712	6.90	754	8.26	836	11.14	915	14.20	992	17.44	1066	20.75	1139	24.23	1215	28.13		
18384	2400	674	5.38	715	6.73	754	8.11	793	9.58	869	12.62	943	15.85	1015	19.26	1085	22.79	1153	26.39	1221	30.22	1289	34.27
19916	2600	724	6.62	761	8.02	798	9.52	835	11.10	906	14.34	975	17.72	1042	21.26	1108	24.97	1173	28.83	1236	32.73	1298	36.75
21448	2800	774	8.03	809	9.54	843	11.10	877	12.75	944	16.20	1009	19.76	1073	23.51	1135	27.37	1196	31.37	1256	35.49	1315	39.71
22980	3000	824	9.62	857	11.24	889	12.89	921	14.63	984	18.27	1045	22.00	1106	25.94	1165	29.99	1222	34.09	1279	38.39	1336	42.89
26044	3400	926	13.52	955	15.32	984	17.18	1012	19.07	1068	23.06	1123	27.20	1177	31.44	1231	35.86	1283	40.32	1335	44.99	1386	49.74
29108	3800	1028	18.37	1054	20.35	1080	22.39	1106	24.51	1157	28.87	1206	33.33	1255	37.97	1304	42.75	1352	47.60	1399	52.51	1446	57.62
32172	4200	1131	24.32	1155	26.52	1179	28.79	1202	31.04	1248	35.72	1293	40.54	1338	45.58	1383	50.78	1427	56.00	1470	61.24	1514	66.76

CFM	OV	10" SP		11" SP		12" SP		13" SP		14" SP		15" SP		16" SP		17" SP		18" SP		19" SP		20" SP	
		RPM	BHP	RPM	BHP	RPM	BHP	RPM	BHP	RPM	BHP	RPM	BHP	RPM	BHP	RPM	BHP	RPM	BHP	RPM	BHP	RPM	BHP
18384	2400	1359	38.63																				
19916	2600	1361	41.06	1424	45.55																		
21448	2800	1373	44.01	1430	48.40	1489	53.19	1549	58.22														
22980	3000	1391	47.35	1445	51.88	1499	56.57	1553	61.45	1607	66.50	1664	72.04										
24512	3200	1412	50.85	1464	55.62	1515	60.42	1566	65.38	1616	70.37	1667	75.67	1718	81.13	1771	86.98						
26044	3400	1436	54.56	1486	59.55	1535	64.57	1584	69.73	1631	74.77	1679	80.10	1727	85.59	1774	91.09	1823	97.05	1872	103.10	1922	109.44
27576	3600	1463	58.56	1511	63.73	1558	68.95	1605	74.31	1651	79.67	1696	85.02	1741	90.50	1786	96.12	1831	101.90	1876	107.83	1922	114.08
29108	3800	1492	62.79	1538	68.13	1583	73.50	1628	79.02	1672	84.54	1716	90.20	1760	95.98	1803	101.73	1845	107.43	1888	113.45	1930	119.43
30640	4000	1523	67.32	1567	72.																		

BC SWSI 490

Fan Efficiency Grade = FEG85

Outlet Area - 13.80 ft²

Wheel Dia. - 49.00 inches

Tip Speed - 12.83 x RPM

Max. BHP = 84.69 (RPM÷1000)³

CFM	OV	0.50" SP		1" SP		1.5" SP		2" SP		3" SP		4" SP		5" SP		6" SP		7" SP		8" SP		9" SP	
		RPM	BHP	RPM	BHP	RPM	BHP	RPM	BHP	RPM	BHP	RPM	BHP	RPM	BHP	RPM	BHP	RPM	BHP	RPM	BHP	RPM	BHP
11040	800	243	1.17	320	2.29																		
12420	900	254	1.36	324	2.54																		
13800	1000	267	1.60	332	2.87	392	4.26																
16560	1200	295	2.15	351	3.56	404	5.13	455	6.82														
19320	1400	327	2.88	376	4.46	423	6.18	468	8.01	554	11.94												
22080	1600	360	3.78	403	5.50	446	7.40	486	9.35	564	13.59	640	18.28										
24840	1800	394	4.87	433	6.77	472	8.84	509	10.97	580	15.51	648	20.34	716	25.71								
27600	2000	430	6.24	465	8.28	500	10.49	534	12.78	600	17.67	663	22.85	724	28.28	785	34.19						
30360	2200	466	7.84	498	10.03	530	12.41	562	14.92	623	20.10	681	25.53	739	31.44	794	37.38	849	43.75	905	50.68		
33120	2400	502	9.70	532	12.08	562	14.65	591	17.29	648	22.81	703	28.63	756	34.69	808	41.03	859	47.58	909	54.35	960	61.71
35880	2600	539	11.90	567	14.46	595	17.20	621	19.92	674	25.74	726	31.90	776	38.28	825	44.93	874	51.99	921	59.03	967	66.24
38640	2800	576	14.42	602	17.14	628	20.01	653	22.95	703	29.18	751	35.53	799	42.32	845	49.24	891	56.55	936	64.04	979	71.43
41400	3000	614	17.36	638	20.21	662	23.21	686	26.37	733	32.94	778	39.59	823	46.61	867	53.89	911	61.59	953	69.24	995	77.23
46920	3400	690	24.39	711	27.56	733	30.97	754	34.39	795	41.47	836	48.93	877	56.71	917	64.64	956	72.73	994	80.96	1032	89.52
52440	3800	766	33.13	785	36.65	805	40.44	824	44.19	861	51.88	898	60.00	935	68.46	971	76.97	1007	85.76	1042	94.61	1077	103.81
57960	4200	842	43.76	860	47.74	878	51.85	895	55.88	929	64.24	963	73.04	997	82.22	1030	91.46	1063	100.93	1095	110.36	1127	120.06

CFM	OV	10" SP		11" SP		12" SP		13" SP		14" SP		15" SP		16" SP		17" SP		18" SP		19" SP		20" SP	
		RPM	BHP	RPM	BHP	RPM	BHP	RPM	BHP	RPM	BHP	RPM	BHP	RPM	BHP	RPM	BHP	RPM	BHP	RPM	BHP	RPM	BHP
33120	2400	1012	69.54																				
35880	2600	1013	73.80	1061	82.13																		
38640	2800	1022	79.12	1066	87.40	1109	95.79	1154	104.95														
41400	3000	1036	85.29	1076	93.38	1116	101.77	1157	110.77	1197	119.81	1239	129.64										
44160	3200	1052	91.69	1090	100.07	1129	109.01	1166	117.65	1204	126.88	1242	136.43	1280	146.28	1319	156.63						
46920	3400	1070	98.41	1107	107.33	1144	116.53	1180	125.68	1215	134.76	1251	144.44	1286	154.06	1322	164.33	1358	174.89	1394	185.59	1432	197.30
49680	3600	1090	105.59	1125	114.68	1160	124.06	1195	133.72	1229	143.27	1263	153.07	1297	163.12	1330	173.05	1364	183.64	1397	194.10	1431	205.25
52440	3800	1111	113.04	1146	122.89	1179	132.39	1213	142.50	1246	152.54	1278	162.43	1311	172.93	1343	183.28	1374	193.44	1406	204.27	1438	215.35
55200	4000	1135	121.48	1167	131.09	1200	141.33	1232	151.51	1264	161.95	1295	172.26	1326	182.80	1357	193.55	1388	204.52	1418	215.27	1448	226.25
57960	4200	1159	130.06	1191	140.38	1222	150.65	1253	161.20	1283	171.62	1314	182.69	1344	193.61	1374	204.77	1403	215.68	1433	227.26	1462	238.58
63480	4600	1211	149.21	1241	160.21	1270	171.11	1298	181.89	1327	193.36	1355	204.64	1383	216.16	1411	227.93	1439	239.94	1466	251.66	1494	264.13
69000	5000	1267	170.93	1294	182.17	1322	194.07	1348	205.33	1375	217.29	1402	229.53	1428	241.55	1454	253.79	1480	266.26	1506	278.96	1532	291.90

MAXIMUM RPM: Class I — 742 Class II — 956 Class III — 1286 Class IV — 1401

BC SWSI 542

Fan Efficiency Grade = FEG85

Outlet Area - 16.92 ft²

Wheel Dia. - 54.25 inches

Tip Speed - 14.20 x RPM

Max. BHP = 140.88 (RPM÷1000)³

CFM	OV	0.50" SP		1" SP		1.5" SP		2" SP		3" SP		4" SP		5" SP		6" SP		7" SP		8" SP		9" SP	
		RPM	BHP	RPM	BHP	RPM	BHP	RPM	BHP	RPM	BHP	RPM	BHP	RPM	BHP	RPM	BHP	RPM	BHP	RPM	BHP	RPM	BHP
13536	800	220	1.44	289	2.80																		
15228	900	230	1.68	293	3.13																		
16920	1000	241	1.95	300	3.52	354	5.22																
20304	1200	267	2.65	317	4.37	365	6.29	411	8.36														
23688	1400	295	3.52	339	5.44	382	7.57	423	9.83	501	14.69												
27072	1600	325	4.62	364	6.74	403	9.08	439	11.46	510	16.72	578	22.41										
30456	1800	356	5.97	392	8.35	426	10.81	460	13.46	524	19.02	586	25.03	646	31.42								
33840	2000	388	7.62	420	10.15	452	12.90	482	15.63	542	21.66	599	28.03	654	34.68	709	41.92						
37224	2200	421	9.62	450	12.32	479	15.24	507	18.22	562	24.55	616	31.44	667	38.46	717	45.80	767	53.67	817	62.03		
40608	2400	454	11.94	481	14.85	508	18.00	534	21.22	585	27.92	635	35.10	683	42.56	730	50.34	776	58.36	821	66.62	867	75.63
43992	2600	487	14.61	512	17.71	537	21.03	561	24.43	609	31.59	656	39.14	701	46.94	746	55.27	789	63.63	832	72.41	873	81.08
47376	2800	521	17.75	544	21.03	567	24.50	590	28.16	635	35.77	679	43.68	722	51.95	764	60.54	805	69.38	845	78.39	885	87.79
50760	3000	555	21.33	577	24.87	598	28.46	620	32.38	662	40.36	703	48.59	744	57.28	784	66.29	822	75.26	861	84.95	899	94.77
54528	3400	623	29.87	643	33.91	662	37.95	681	42.14	719	51.02	756	60.20	792	69.48	828	79.16	863	89.01	898	99.31	932	109.69
64296	3800	692	40.63	709	44.92	727	49.54	744	54.11	778	63.67	812	73.79	845	84.06	877	94.33	910	105.27	941	115.91	973	127.34
71064	4200	761	53.74	777	58.57	793	63.54	809	68.65	840	78.99	870	89.58	900	100.61	930	111.99	960	123.67	989	135.27	1018	147.20

CFM	OV	10" SP		11" SP		12" SP		13" SP		14" SP		15" SP		16" SP		17" SP		18" SP		19" SP		20" SP	
		RPM	BHP	RPM	BHP	RPM	BHP	RPM	BHP	RPM	BHP	RPM	BHP	RPM	BHP	RPM	BHP	RPM	BHP	RPM	BHP	RPM	BHP
40608	2400	914	85.24																				
43992	2600	915	90.49	958	100.59																		
47376	2800	924	97.28	962	106.86	1002	117.55	1042	128.54														
50760	3000	936	104.64	972	114.52	1008	124.77	1045	135.79	1082	147.22	1119	158.89										
54144	3200	950	112.33	985	122.86	1019	133.34	1053	144.16	1087	155.34	1122	167.35	1156	179.27	1191	191.86						
57528	3400	966	120.46	1000	131.62	1033	142.73	1065	153.72	1098	165.46	1130	177.10	1162	189.09	1194	201.43	1226	214.10	1260	228.02	1293	241.66
60912	3600	984	129.23	1016	140.53	1048	152.20	1080	164.22	1111	176.08	1141	187.76	1171	199.72	1202	212.52	1232	225.13	1262	238.07	1293	251.91
64296	3800	1004	138.78	1035	150.60	1065	162.33	1095	174.40	1125	186.79	1155	199.48	1184	211.93	1213	224.67	1241	237.13	1270	250.46	1299	264.11
67680	4000	1025	148.84	1054	160.67	1084																	

BC SWSI 600

Fan Efficiency Grade = FEG85

Outlet Area - 20.70 ft² Wheel Dia. - 60.00 inches Tip Speed - 15.71 x RPM Max. BHP = 233.14 (RPM÷1000)³

CFM	OV	0.50" SP		1" SP		1.5" SP		2" SP		3" SP		4" SP		5" SP		6" SP		7" SP		8" SP		9" SP	
		RPM	BHP	RPM	BHP	RPM	BHP	RPM	BHP	RPM	BHP	RPM	BHP	RPM	BHP	RPM	BHP	RPM	BHP	RPM	BHP	RPM	BHP
16560	800	199	1.77	261	3.41																		
18630	900	208	2.06	265	3.83																		
20700	1000	218	2.39	271	4.30																		
24840	1200	241	3.23	287	5.36	320	6.38																
						330	7.70	371	10.17														
28980	1400	267	4.32	307	6.68	345	9.23	382	11.99	453	17.98												
33120	1600	294	5.66	330	8.31	364	11.07	397	14.02	461	20.43	523	27.48										
37260	1800	322	7.31	354	10.18	385	13.20	416	16.48	474	23.30	530	30.65	584	38.41								
41400	2000	351	9.34	380	12.43	408	15.69	436	19.15	490	26.49	542	34.37	591	42.36	641	51.26						
45540	2200	380	11.70	407	15.08	433	18.63	459	22.38	509	30.18	557	38.46	603	47.03	648	55.95	693	65.52	739	75.98		
49680	2400	410	14.55	435	18.18	459	21.97	483	25.98	529	34.16	574	42.91	618	52.17	660	61.56	702	71.50	743	81.73	784	92.55
53820	2600	440	17.83	463	21.68	486	25.80	508	30.01	551	38.72	593	47.85	634	57.47	674	67.45	714	78.04	752	88.48	790	99.44
57960	2800	471	21.71	492	25.75	513	30.03	534	34.55	574	43.72	614	53.45	653	63.60	690	73.81	728	84.92	764	95.89	800	107.31
62100	3000	502	26.12	521	30.30	541	34.87	560	39.48	599	49.48	636	59.54	673	70.16	708	80.80	744	92.36	778	103.72	813	116.00
70380	3400	563	36.48	581	41.39	599	46.52	616	51.62	650	62.39	683	73.46	716	84.96	749	96.97	781	109.17	812	121.51	843	134.33
78660	3800	626	49.78	642	55.19	657	60.51	673	66.27	704	78.07	734	90.19	764	102.81	793	115.41	822	128.40	851	141.88	880	155.90
86940	4200	688	65.71	703	71.79	717	77.72	731	83.81	759	96.43	787	109.74	814	123.18	841	137.05	868	151.28	894	165.34	921	180.38

CFM	OV	10" SP		11" SP		12" SP		13" SP		14" SP		15" SP		16" SP		17" SP		18" SP		19" SP		20" SP	
		RPM	BHP	RPM	BHP	RPM	BHP	RPM	BHP	RPM	BHP	RPM	BHP	RPM	BHP	RPM	BHP	RPM	BHP	RPM	BHP	RPM	BHP
49680	2400	827	104.51																				
53820	2600	828	110.97	866	122.97																		
57960	2800	835	118.81	870	130.82	906	143.82	942	157.18														
62100	3000	846	127.87	879	140.17	912	152.93	945	166.19	978	179.94	1012	194.52										
66240	3200	859	137.43	891	150.49	922	163.47	952	176.31	983	190.13	1014	204.44	1045	219.18	1077	234.81						
70380	3400	874	147.65	904	160.92	934	174.60	963	188.08	992	201.94	1021	216.21	1050	230.89	1079	246.03	1109	262.27	1139	278.77	1169	295.57
74520	3600	890	158.24	919	172.12	948	186.44	976	200.58	1004	215.06	1032	229.92	1059	244.48	1086	259.41	1114	275.46	1141	291.20	1169	308.11
78660	3800	908	169.89	936	184.33	963	198.62	990	213.29	1017	228.37	1044	243.80	1070	258.87	1097	275.02	1122	290.03	1148	306.16	1174	322.67
82800	4000	927	182.20	953	196.54	980	211.93	1006	227.10	1032	242.66	1058	258.62	1083	274.20	1109	290.87	1134	307.09	1158	322.81	1183	339.70
86940	4200	947	195.31	972	210.08	998	225.92	1023	241.52	1048	257.50	1073	273.88	1098	290.65	1122	306.98	1146	323.62	1170	340.56	1194	357.82
95220	4600	989	223.74	1013	239.88	1037	256.45	1061	273.48	1084	290.16	1107	307.20	1130	324.61	1153	342.40	1175	359.63	1198	378.11	1220	395.99
103500	5000	1035	256.49	1057	273.32	1080	291.28	1101	307.98	1124	325.88	1145	344.20	1167	362.93	1188	381.10	1209	399.59	1230	418.41	1251	437.57

MAXIMUM RPM: Class I — 606 Class II — 780 Class III — 1050 Class IV — 1146

BC SWSI 660

Fan Efficiency Grade = FEG85

Outlet Area - 25.04 ft² Wheel Dia. - 66.00 inches Tip Speed - 17.28 x RPM Max. BHP = 375.47 (RPM÷1000)³

CFM	OV	0.50" SP		1" SP		1.5" SP		2" SP		3" SP		4" SP		5" SP		6" SP		7" SP		8" SP		9" SP	
		RPM	BHP	RPM	BHP	RPM	BHP	RPM	BHP	RPM	BHP	RPM	BHP	RPM	BHP	RPM	BHP	RPM	BHP	RPM	BHP	RPM	BHP
20040	800	181	2.14	238	4.17																		
22545	900	189	2.49	241	4.64																		
25050	1000	198	2.89	246	5.18																		
30060	1200	219	3.90	261	6.50	291	7.73																
						300	9.31	338	12.39														
35070	1400	243	5.24	279	8.08	314	11.20	347	14.47	412	21.78												
40080	1600	267	6.83	300	10.06	331	13.41	361	16.98	419	24.71	475	33.15										
45090	1800	293	8.87	322	12.34	350	15.98	378	19.91	431	28.22	481	36.90	531	46.51								
50100	2000	319	11.29	346	15.12	371	19.00	397	23.28	445	31.96	492	41.41	538	51.46	583	62.12						
55110	2200	346	14.23	370	18.24	394	22.60	417	27.02	462	36.34	506	46.44	548	56.85	589	67.67	630	79.28	672	92.02		
60120	2400	373	17.64	395	21.92	417	26.53	439	31.42	481	41.36	522	51.97	561	62.86	600	74.50	638	86.45	675	98.70	713	112.13
65130	2600	400	21.57	421	26.24	442	31.26	462	36.36	501	46.87	539	57.87	576	69.41	613	81.73	649	94.39	684	107.24	718	120.24
70140	2800	428	26.23	447	31.10	467	36.48	485	41.69	522	52.96	558	64.61	593	76.71	628	89.62	661	102.38	695	116.26	727	129.71
75150	3000	456	31.52	474	36.75	492	42.24	510	48.03	544	59.69	578	71.97	611	84.56	644	97.93	676	111.57	708	125.90	739	140.32
85170	3400	512	44.18	528	50.03	544	56.12	560	62.45	591	75.52	621	88.92	651	102.84	681	117.38	710	132.10	738	146.92	767	162.95
95190	3800	569	60.20	583	66.56	598	73.48	612	80.26	640	94.46	667	109.00	694	124.11	721	139.69	748	155.82	774	171.91	800	188.64
105210	4200	626	79.72	639	86.82	652	94.12	665	101.61	690	116.68	715	132.52	740	149.05	765	166.13	789	182.98	813	200.26	837	218.05

CFM	OV	10" SP		11" SP		12" SP		13" SP		14" SP		15" SP		16" SP		17" SP		18" SP		19" SP		20" SP	
		RPM	BHP	RPM	BHP	RPM	BHP	RPM	BHP	RPM	BHP	RPM	BHP	RPM	BHP	RPM	BHP	RPM	BHP	RPM	BHP	RPM	BHP
60120	2400	752	126.56																				
65130	2600	752	133.90	788	149.22																		
70140	2800	759	143.72	791	158.35	823	173.																

BC SWSI 730

Fan Efficiency Grade = FEG85

Outlet Area - 30.63 ft² Wheel Dia. - 73.00 inches Tip Speed - 19.11 x RPM Max. BHP = 621.54 (RPM÷1000)³

CFM	OV	0.50" SP		1" SP		1.5" SP		2" SP		3" SP		4" SP		5" SP		6" SP		7" SP		8" SP		9" SP	
		RPM	BHP	RPM	BHP	RPM	BHP	RPM	BHP	RPM	BHP	RPM	BHP	RPM	BHP	RPM	BHP	RPM	BHP	RPM	BHP	RPM	BHP
24512	800	163	2.59	215	5.09																		
27576	900	171	3.05	218	5.69																		
30640	1000	179	3.53	223	6.38	263	9.44																
36768	1200	198	4.77	236	7.95	271	11.36	305	15.07														
42896	1400	219	6.35	252	9.85	284	13.72	314	17.75	372	26.54												
49024	1600	242	8.42	271	12.27	299	16.36	326	20.70	379	30.27	430	40.71										
55152	1800	265	10.87	291	15.07	317	19.65	342	24.41	389	34.34	435	45.17	480	56.86								
61280	2000	288	13.75	312	18.35	336	23.37	359	28.50	403	39.29	445	50.71	486	62.79	527	75.95						
67408	2200	313	17.44	335	22.42	356	27.60	377	33.06	418	44.56	457	56.63	496	69.78	533	83.01	570	97.19	607	112.25		
73536	2400	337	21.54	357	26.79	377	32.46	397	38.46	435	50.64	472	63.60	508	77.25	543	91.40	577	105.85	610	120.57	644	136.76
79664	2600	362	26.47	381	32.20	399	38.07	417	44.26	453	57.36	487	70.66	521	85.02	554	99.86	586	115.01	618	130.92	649	146.98
85792	2800	387	32.10	404	38.01	422	44.56	439	51.18	472	64.81	505	79.28	536	93.77	567	109.18	598	125.48	628	141.98	657	158.46
91920	3000	412	38.49	429	45.10	445	51.74	461	58.72	492	73.10	523	88.27	553	103.78	582	119.65	611	136.37	640	153.93	668	171.54
104176	3400	463	54.09	478	61.45	492	68.73	506	76.27	534	92.22	562	109.10	589	126.09	615	143.11	642	161.67	667	179.54	693	198.95
116432	3800	514	73.46	527	81.39	540	89.57	553	98.02	578	115.18	603	133.32	628	152.23	652	171.01	676	190.39	700	210.51	723	230.49
128688	4200	566	97.54	578	106.37	589	114.87	601	124.17	624	142.86	647	162.55	669	182.31	691	202.67	713	223.53	735	244.96	757	267.03

CFM	OV	10" SP		11" SP		12" SP		13" SP		14" SP		15" SP		16" SP		17" SP		18" SP		19" SP		20" SP	
		RPM	BHP	RPM	BHP	RPM	BHP	RPM	BHP	RPM	BHP	RPM	BHP	RPM	BHP	RPM	BHP	RPM	BHP	RPM	BHP	RPM	BHP
73536	2400	680	154.88																				
79664	2600	680	163.87	712	182.20																		
85792	2800	686	175.64	715	193.58	744	212.32	774	232.44														
91920	3000	695	189.00	722	207.08	749	225.84	776	245.32	804	266.51	832	288.16										
98048	3200	706	203.41	732	222.47	758	242.15	783	261.51	808	281.50	833	302.15	859	324.54	885	347.32						
104176	3400	718	218.23	743	238.19	768	258.78	792	278.93	816	299.64	839	319.83	863	341.76	887	364.36	911	387.57	936	412.42	961	437.75
110304	3600	732	234.71	755	254.43	779	275.79	802	296.69	825	318.11	848	340.07	871	362.62	893	384.49	915	406.92	938	431.31	961	456.32
116432	3800	746	251.17	769	272.53	792	294.55	814	316.08	836	338.17	858	360.78	880	383.90	901	406.23	923	430.44	944	453.81	965	477.73
122560	4000	762	269.79	784	291.73	805	313.15	827	336.35	848	358.92	869	382.05	890	405.70	911	429.84	932	454.49	952	478.17	972	502.33
128688	4200	778	288.71	799	311.08	820	334.09	841	357.73	861	380.68	882	405.53	902	429.57	922	454.13	942	479.17	962	504.67	981	529.05
140944	4600	813	331.35	833	355.60	852	379.17	872	404.75	891	429.57	910	454.94	929	480.88	947	505.76	966	532.75	984	558.58	1003	586.62
153200	5000	851	380.10	869	430.91	887	430.20	905	456.00	923	482.37	941	509.35	959	536.94	976	563.36	994	592.03	1011	619.43	1028	647.30

MAXIMUM RPM: Class I — 498 Class II — 641 Class III — 863 Class IV — 940

BC SWSI 807

Fan Efficiency Grade = FEG85

Outlet Area - 37.49 ft² Wheel Dia. - 80.75 inches Tip Speed - 21.14 x RPM Max. BHP = 1029.2 (RPM÷1000)³

CFM	OV	0.50" SP		1" SP		1.5" SP		2" SP		3" SP		4" SP		5" SP		6" SP		7" SP		8" SP		9" SP	
		RPM	BHP	RPM	BHP	RPM	BHP	RPM	BHP	RPM	BHP	RPM	BHP	RPM	BHP	RPM	BHP	RPM	BHP	RPM	BHP	RPM	BHP
29992	800	148	3.21	194	6.19																		
33741	900	154	3.69	197	6.95																		
37490	1000	162	4.34	201	7.74	238	11.59																
44988	1200	179	5.84	213	9.68	245	13.90	276	18.50														
52486	1400	198	7.78	228	12.08	257	16.84	284	21.75	336	32.39												
59984	1600	218	10.19	245	15.02	270	19.95	295	25.41	342	36.83	388	49.53										
67482	1800	239	13.20	263	18.43	286	23.90	309	29.82	352	42.14	393	55.17	434	69.61								
74980	2000	261	16.95	282	22.44	303	28.38	324	34.69	364	47.95	402	61.92	439	76.64	476	92.68						
82478	2200	283	21.34	302	27.20	322	33.83	341	40.51	378	54.57	414	69.73	448	85.15	482	101.66	515	118.71	549	137.54		
89976	2400	305	26.45	323	32.86	341	39.78	359	47.10	393	61.84	426	77.44	459	94.38	491	111.91	521	129.05	552	147.96	583	168.03
97474	2600	327	32.31	344	39.25	361	46.69	377	54.16	409	69.91	441	86.90	471	104.03	501	122.32	530	140.92	559	160.46	587	180.11
104972	2800	350	39.33	366	46.80	381	54.31	397	62.69	427	79.47	456	96.66	485	115.05	513	133.92	541	153.88	568	173.97	594	193.95
112470	3000	373	47.30	387	54.83	402	63.17	416	71.46	445	89.58	472	107.45	500	127.04	526	146.28	553	167.44	578	187.78	604	210.01
127466	3400	419	66.39	432	75.13	445	84.22	458	93.67	483	113.02	508	133.45	532	153.87	556	175.13	580	197.42	603	219.70	626	242.87
142462	3800	465	90.08	477	99.95	488	109.48	500	119.99	523	141.32	545	163.02	567	185.56	589	208.79	611	232.83	632	256.58	654	282.54
157458	4200	511	118.88	522	129.76	533	140.97	543	151.66	564	174.70	585	199.00	605	223.31	625	248.37	645	274.06	665	300.46	684	326.24

CFM	OV	10" SP		11" SP		12" SP		13" SP		14" SP		15" SP		16" SP		17" SP		18" SP		19" SP		20" SP	
		RPM	BHP	RPM	BHP	RPM	BHP	RPM	BHP	RPM	BHP	RPM	BHP	RPM	BHP	RPM	BHP	RPM	BHP	RPM	BHP	RPM	BHP
89976	2400	614	188.82																				
97474	2600	615	200.76	644	223.28																		
104972	2800	620	214.74	647	237.55	673	260.26	700	284.76														
112470	3000	629	232.03	653	253.72	677	276.19	702	300.78	727	326.31	752	352										

BC DWDI 122

Fan Efficiency Grade = FEG80

Outlet Area - 1.55 ft² Wheel Dia. - 12.25 inches Tip Speed - 3.21 x RPM Max. BHP = 0.136 (RPM÷1000)³

CFM	OV	0.5" SP		1" SP		2" SP		3" SP		4" SP		5" SP		6" SP		8" SP		10" SP		12" SP		14" SP	
		RPM	BHP	RPM	BHP	RPM	BHP	RPM	BHP	RPM	BHP	RPM	BHP	RPM	BHP	RPM	BHP	RPM	BHP	RPM	BHP	RPM	BHP
1240	800	1046	0.15	1363	0.31																		
1550	1000	1153	0.21	1417	0.37																		
1860	1200	1267	0.28	1514	0.46	1910	0.82	2308	1.33														
2170	1400	1393	0.37	1622	0.58	1997	1.04	2363	1.63	2699	2.30	2994	3.00										
2480	1600	1528	0.48	1734	0.71	2092	1.21	2402	1.78	2727	2.50	3022	3.26	3289	4.05								
2790	1800	1670	0.63	1854	0.87	2196	1.42	2485	2.01	2761	2.68	3050	3.50	3318	4.36	3791	6.13						
3100	2000	1815	0.80	1983	1.06	2305	1.66	2583	2.29	2833	2.96	3084	3.73	3345	4.64	3820	6.55	4237	8.53	4617	10.61		
3410	2200	1964	1.00	2118	1.29	2417	1.92	2688	2.60	2927	3.31	3151	4.07	3381	4.93	3849	6.95	4265	9.05	4643	11.25	4991	13.51
3720	2400	2115	1.24	2258	1.56	2533	2.21	2796	2.95	3029	3.71	3244	4.50	3448	5.33	3875	7.30	4295	9.57	4671	11.87	5018	14.26
4030	2600	2268	1.52	2400	1.86	2657	2.55	2907	3.33	3136	4.14	3343	4.97	3540	5.83	3919	7.72	4321	10.02	4701	12.49	5046	14.99
4340	2800	2422	1.84	2546	2.20	2786	2.94	3020	3.75	3245	4.61	3448	5.49	3638	6.39	3994	8.29	4355	10.49	4727	13.04	5076	15.71
4650	3000	2578	2.20	2694	2.59	2920	3.38	3139	4.21	3355	5.12	3556	6.06	3742	7.00	4086	8.97	4412	11.09	4757	13.58	5102	16.35
4960	3200	2735	2.62	2844	3.03	3057	3.87	3264	4.73	3468	5.67	3666	6.66	3849	7.66	4184	9.71	4497	11.88	4805	14.24	5131	16.98
5270	3400	2893	3.08	2995	3.52	3197	4.41	3393	5.31	3586	6.28	3777	7.31	3958	8.37	4287	10.51	4590	12.74	4879	15.10	5174	17.70
5890	3800	3210	4.18	3302	4.67	3484	5.67	3662	6.66	3836	7.68	4008	8.77	4180	9.92	4501	12.28	4792	14.68	5065	17.16	5327	19.76
6510	4200	3529	5.53	3613	6.07	3778	7.16	3941	8.27	4100	9.36	4258	10.51	4414	11.71	4721	14.26	5006	16.88	5269	19.53		

MAXIMUM RPM: Class I — 3196 Class II — 4168 Class III — 5500 Selections above 4000 RPM not recommended. Consult factory.

BC DWDI 135

Fan Efficiency Grade = FEG80

Outlet Area - 1.89 ft² Wheel Dia. - 13.50 inches Tip Speed - 3.53 x RPM Max. BHP = 0.221 (RPM÷1000)³

CFM	OV	0.5" SP		1" SP		2" SP		3" SP		4" SP		5" SP		6" SP		8" SP		10" SP		12" SP		14" SP	
		RPM	BHP	RPM	BHP	RPM	BHP	RPM	BHP	RPM	BHP	RPM	BHP	RPM	BHP	RPM	BHP	RPM	BHP	RPM	BHP	RPM	BHP
1512	800	951	0.19	1238	0.38																		
1890	1000	1048	0.25	1287	0.45	1733	1.00	2095	1.61														
2268	1200	1152	0.34	1377	0.57	1759	1.11	2120	1.81	2424	2.54												
2646	1400	1267	0.45	1475	0.70	1814	1.26	2145	1.98	2450	2.80	2717	3.65	2961	4.54								
3024	1600	1391	0.59	1577	0.87	1901	1.48	2182	2.17	2475	3.04	2743	3.97	2985	4.92								
3424	1800	1520	0.77	1687	1.06	1997	1.74	2258	2.46	2507	3.27	2769	4.26	3012	5.31	3441	7.46						
3780	2000	1652	0.98	1805	1.30	2096	2.02	2347	2.79	2574	3.62	2800	4.55	3036	5.64	3467	7.97	3846	10.39	4190	12.91		
4158	2200	1788	1.23	1928	1.58	2197	2.34	2443	3.18	2660	4.04	2863	4.96	3069	5.99	3493	8.45	3871	11.02	4214	13.69	4530	16.45
4536	2400	1926	1.52	2055	1.91	2304	2.71	2542	3.60	2753	4.53	2948	5.49	3132	6.49	3518	8.89	3898	11.64	4239	14.45	4554	17.35
4914	2600	2065	1.86	2185	2.28	2417	3.12	2643	4.07	2850	5.06	3039	6.07	3216	7.11	3559	9.40	3922	12.19	4267	15.21	4580	18.25
5292	2800	2206	2.26	2318	2.70	2535	3.60	2747	4.58	2950	5.64	3134	6.70	3306	7.80	3629	10.12	3954	12.77	4290	15.87	4608	19.13
5670	3000	2348	2.70	2453	3.18	2657	4.14	2855	5.15	3051	6.26	3233	7.40	3401	8.55	3713	10.95	4008	13.53	4319	16.54	4631	19.91
6048	3200	2491	3.21	2589	3.72	2782	4.74	2969	5.79	3154	6.94	3333	8.14	3499	9.36	3802	11.85	4086	14.49	4363	17.35	4658	20.67
6426	3400	2635	3.79	2727	4.32	2910	5.41	3087	6.50	3261	7.68	3434	8.93	3598	10.22	3896	12.83	4171	15.55	4432	18.41	4698	21.57
7182	3800	2924	5.14	3007	5.73	3171	6.94	3332	8.16	3490	9.40	3646	10.73	3801	12.13	4092	15.01	4355	17.92	4603	20.95	4840	24.10
7938	4200	3215	6.79	3290	7.44	3440	8.78	3587	10.13	3731	11.47	3873	12.85	4014	14.32	4292	17.42	4551	20.62	4789	23.85		

MAXIMUM RPM: Class I — 2904 Class II — 3787 Class III — 4991 Selections above 4000 RPM not recommended. Consult factory.

BC DWDI 150

Fan Efficiency Grade = FEG75

Outlet Area - 2.33 ft² Wheel Dia. - 15.00 inches Tip Speed - 3.93 x RPM Max. BHP = 0.411 (RPM÷1000)³

CFM	OV	0.5" SP		1" SP		2" SP		3" SP		4" SP		5" SP		6" SP		8" SP		10" SP		12" SP		14" SP	
		RPM	BHP	RPM	BHP	RPM	BHP	RPM	BHP	RPM	BHP	RPM	BHP	RPM	BHP	RPM	BHP	RPM	BHP	RPM	BHP	RPM	BHP
1864	800	843	0.24	1116	0.49																		
2330	1000	926	0.32	1153	0.59																		
2796	1200	1019	0.43	1219	0.72	1589	1.46																
3262	1400	1121	0.57	1303	0.90	1627	1.65	1935	2.59														
3728	1600	1228	0.75	1395	1.12	1687	1.90	1968	2.85	2232	3.96												
4194	1800	1338	0.96	1493	1.36	1765	2.22	2014	3.17	2264	4.31	2497	5.55	2711	6.83								
4660	2000	1452	1.21	1595	1.65	1852	2.60	2081	3.58	2306	4.70	2529	5.99	2740	7.38								
5126	2200	1568	1.51	1702	1.99	1943	3.01	2160	4.07	2363	5.19	2569	6.47	2772	7.90	3147	10.96						
5592	2400	1686	1.86	1812	2.39	2039	3.48	2246	4.63	2437	5.79	2623	7.06	2812	8.48	3177	11.67	3511	15.05				
6058	2600	1805	2.27	1923	2.83	2139	4.01	2336	5.23	2519	6.48	2693	7.77	2864	9.16	3212	12.38	3539	15.94	3842	19.62		
6524	2800	1925	2.74	2037	3.34	2241	4.59	2430	5.90	2606	7.23	2772	8.59	2932	9.99	3254	13.18	3571	16.81	3870	20.71	4148	24.66
6990	3000	2047	3.29	2153	3.92	2347	5.24	2527	6.62	2696	8.04	2875	9.49	3009	10.94	3307	14.10	3609	17.74	3901	21.75	4177	25.95
7456	3200	2169	3.90	2269	4.56	2455	5.97	2627	7.42	2790	8.92	2945	10.46	3092	11.99	3374	15.19	3655	18.80	3936	22.82	4207	27.16
7922	3400	2292	4.58	2387	5.29	2565	6.77	2730	8.30	2886	9.87	3035	11.48	3179	13.12	3449	16.42	3711	20.00	3979	24.03	4241	28.40
8854	3800	2539	6.20	2626	6.99	2790	8.61	2942	10.30	3087	12.03	3226	13.79	3360	15.58	3616	19.25	3856	22.95	4090	26.89	4328	31.25
9786	4200																						

BC DWDI 165

Fan Efficiency Grade = FEG71

Outlet Area - 2.82 ft²

Wheel Dia. - 16.50 inches

Tip Speed - 4.32 x RPM

Max. BHP = 0.662 (RPM÷1000)³

CFM	OV	0.5" SP		1" SP		2" SP		3" SP		4" SP		5" SP		6" SP		8" SP		10" SP		12" SP		14" SP	
		RPM	BHP	RPM	BHP	RPM	BHP	RPM	BHP	RPM	BHP	RPM	BHP	RPM	BHP	RPM	BHP	RPM	BHP	RPM	BHP	RPM	BHP
2256	800	767	0.29	1015	0.60																		
2820	1000	842	0.39	1048	0.71																		
3384	1200	927	0.53	1108	0.88	1444	1.76																
3948	1400	1019	0.70	1185	1.10	1479	1.99	1759	3.13														
4512	1600	1116	0.90	1268	1.35	1534	2.30	1789	3.45	2029	4.79												
5076	1800	1217	1.16	1357	1.65	1605	2.69	1831	3.84	2058	5.21	2270	6.72	2465	8.27								
5640	2000	1320	1.46	1451	2.01	1684	3.15	1892	4.33	2096	5.69	2299	7.25	2491	8.93								
6204	2200	1426	1.83	1548	2.42	1767	3.65	1964	4.93	2149	6.29	2336	7.84	2520	9.56	2861	13.26						
6768	2400	1533	2.26	1647	2.89	1854	4.22	2042	5.60	2216	7.01	2385	8.55	2557	10.27	2888	14.11	3192	18.22				
7332	2600	1641	2.75	1749	3.43	1945	4.85	2124	6.33	2291	7.85	2448	9.40	2604	11.09	2920	14.99	3218	19.30	3493	23.75		
7896	2800	1751	3.33	1852	4.04	2038	5.56	2209	7.13	2369	8.75	2520	10.39	2666	12.10	2958	15.94	3247	20.36	3518	25.05	3771	29.85
8460	3000	1861	3.98	1957	4.74	2134	6.35	2298	8.02	2451	9.73	2597	11.48	2736	13.25	3006	17.06	3281	21.47	3546	26.31	3797	31.40
9024	3200	1972	4.72	2064	5.53	2232	7.22	2389	8.99	2536	10.79	2677	12.65	2811	14.51	3067	18.38	3323	22.75	3579	27.64	3825	32.88
9588	3400	2084	5.55	2171	6.41	2332	8.19	2482	10.05	2624	11.95	2760	13.90	2890	15.88	3136	19.88	3374	24.21	3617	29.07	3856	34.38
10716	3800	2309	7.51	2388	8.46	2537	10.43	2675	12.47	2807	14.56	2934	16.70	3055	18.86	3287	23.28	3506	27.78	3718	32.54	3935	37.82
11844	4200	2536	9.91	2608	10.95	2746	13.11	2875	15.33	2997	17.60	3116	19.93	3230	22.28	3449	27.11	3656	31.99	3854	36.96	4047	42.16

MAXIMUM RPM: Class I — 2358 Class II — 3075 Class III — 4083 Selections above 4000 RPM not recommended. Consult factory.

BC DWDI 182

Fan Efficiency Grade = FEG75

Outlet Area - 3.45 ft²

Wheel Dia. - 18.25 inches

Tip Speed - 4.78 x RPM

Max. BHP = 1.11 (RPM÷1000)³

CFM	OV	0.5" SP		1" SP		2" SP		3" SP		4" SP		5" SP		6" SP		8" SP		10" SP		12" SP		14" SP	
		RPM	BHP	RPM	BHP	RPM	BHP	RPM	BHP	RPM	BHP	RPM	BHP	RPM	BHP	RPM	BHP	RPM	BHP	RPM	BHP	RPM	BHP
2760	800	692	0.33	888	0.64																		
3450	1000	755	0.45	938	0.81																		
4140	1200	824	0.61	1000	1.02	1270	1.91																
4830	1400	901	0.80	1063	1.27	1323	2.26	1541	3.34														
5520	1600	982	1.04	1131	1.56	1385	2.68	1587	3.83	1776	5.10												
6210	1800	1067	1.33	1204	1.90	1446	3.13	1647	4.41	1820	5.73	1988	7.17										
6900	2000	1157	1.69	1282	2.31	1510	3.64	1709	5.05	1877	6.47	2031	7.94	2183	9.55								
7590	2200	1249	2.12	1362	2.77	1578	4.21	1770	5.74	1939	7.29	2088	8.87	2227	10.49	2501	14.07						
8280	2400	1344	2.62	1447	3.32	1649	4.86	1833	6.48	2000	8.17	2150	9.89	2284	11.59	2539	15.24						
8970	2600	1439	3.21	1534	3.95	1723	5.58	1900	7.32	2062	9.11	2211	10.96	2346	12.81	2588	16.57	2822	20.68				
9660	2800	1536	3.88	1623	4.67	1801	6.40	1969	8.23	2126	10.14	2272	12.09	2408	14.10	2646	18.07	2866	22.25	3082	26.75		
10350	3000	1634	4.66	1715	5.49	1881	7.30	2041	9.24	2193	11.25	2335	13.32	2468	15.42	2708	19.70	2919	24.00	3123	28.57	3325	33.48
11040	3200	1733	5.54	1808	6.41	1964	8.32	2116	10.35	2262	12.46	2400	14.64	2530	16.85	2770	21.41	2979	25.93	3174	30.62	3365	35.58
11730	3400	1832	6.53	1903	7.45	2048	9.43	2194	11.57	2334	13.79	2467	16.05	2594	18.38	2831	23.18	3042	28.01	3232	32.87	3413	37.88
13110	3800	2032	8.87	2095	9.88	2224	12.03	2356	14.36	2484	16.77	2609	19.26	2729	21.79	2955	27.01	3164	32.36	3356	37.79	3529	43.15
14490	4200	2233	11.73	2290	12.83	2406	15.16	2524	17.64	2643	20.26	2759	22.96	2871	25.68	3087	31.33	3288	37.12	3478	43.07	3654	49.04

MAXIMUM RPM: Class I — 2149 Class II — 2776 Class III — 3504 Class IV — 3766

BC DWDI 200

Fan Efficiency Grade = FEG75

Outlet Area - 4.14 ft²

Wheel Dia. - 20.00 inches

Tip Speed - 5.24 x RPM

Max. BHP = 1.76 (RPM÷1000)³

CFM	OV	0.5" SP		1" SP		2" SP		3" SP		4" SP		5" SP		6" SP		8" SP		10" SP		12" SP		14" SP	
		RPM	BHP	RPM	BHP	RPM	BHP	RPM	BHP	RPM	BHP	RPM	BHP	RPM	BHP	RPM	BHP	RPM	BHP	RPM	BHP	RPM	BHP
3312	800	632	0.40	810	0.76																		
4140	1000	689	0.55	856	0.97																		
4968	1200	752	0.73	912	1.22	1158	2.29																
5796	1400	821	0.96	970	1.52	1207	2.71	1406	4.01														
6624	1600	895	1.24	1032	1.87	1263	3.21	1448	4.59	1621	6.12												
7452	1800	973	1.60	1098	2.28	1319	3.75	1502	5.29	1660	6.87	1814	8.60										
8280	2000	1055	2.03	1169	2.77	1377	4.36	1559	6.06	1712	7.76	1853	9.53	1992	11.46								
9108	2200	1139	2.54	1243	3.33	1439	5.05	1614	6.87	1769	8.75	1904	10.63	2032	12.59	2282	16.88						
9936	2400	1225	3.14	1319	3.98	1504	5.83	1672	7.78	1825	9.81	1961	11.86	2083	13.90	2317	18.30						
10764	2600	1313	3.85	1399	4.74	1572	6.70	1733	8.78	1881	10.93	2017	13.15	2140	15.37	2361	19.89	2575	24.82				
11592	2800	1401	4.66	1480	5.59	1643	7.68	1796	9.87	1939	12.15	2073	14.52	2196	16.90	2414	21.69	2614	26.68	2812	32.11		
12420	3000	1490	5.59	1564	6.58	1716	8.77	1862	11.08	2000	13.49	2130	15.98	2252	18.52	2470	23.62	2663	28.79	2849	34.28	3033	40.15
13248	3200	1580	6.64	1649	7.69	1791	9.97	1930	12.41	2063	14.94	2189	17.55	2308	20.22	2527	25.68	2718	31.13	2895	36.72	3070	42.70
14076	3400	1670	7.82	1735	8.92	1868	11.31	2001	13.87	2129	16.54	2251	19.27	2366	22.05	2582	27.79	2775	33.61	2948	39.41	3113	45.43
15732	3800	1853	10.63	1910	11.83	2028	14.42	2148	17.20	2266	20.12	2379	23.07	2489	26.13	2695	32.38	2887	38.85	3061	45.32	3220	51.80
17388	4200	2036	14.06	2088	15.38	2194																	

BC DWDI 222

Fan Efficiency Grade = FEG75

Outlet Area - 5.12 ft²

Wheel Dia. - 22.25 inches

Tip Speed - 5.83 x RPM

Max. BHP = 3.00 (RPM÷1000)³

CFM	OV	0.5" SP		1" SP		2" SP		3" SP		4" SP		5" SP		6" SP		8" SP		10" SP		12" SP		14" SP	
		RPM	BHP	RPM	BHP	RPM	BHP	RPM	BHP	RPM	BHP	RPM	BHP	RPM	BHP	RPM	BHP	RPM	BHP	RPM	BHP	RPM	BHP
4096	800	568	0.50	728	0.95																		
5120	1000	619	0.67	769	1.20																		
6144	1200	676	0.90	820	1.52	1041	2.83																
7168	1400	738	1.19	871	1.88	1085	3.36	1264	4.97														
8192	1600	804	1.54	927	2.31	1135	3.97	1301	5.68	1457	7.58												
9216	1800	875	1.98	987	2.82	1185	4.64	1350	6.54	1492	8.50	1630	10.64										
10240	2000	948	2.50	1050	3.42	1237	5.39	1401	7.49	1539	9.60	1665	11.78	1790	14.17								
11264	2200	1023	3.13	1116	4.11	1293	6.24	1451	8.51	1590	10.83	1711	13.14	1826	15.56	2051	20.88						
12288	2400	1101	3.89	1185	4.92	1351	7.20	1502	9.61	1640	12.13	1762	14.65	1872	17.19	2082	22.62						
13312	2600	1179	4.75	1256	5.84	1412	8.28	1557	10.85	1690	13.51	1813	16.27	1923	19.00	2122	24.60	2314	30.69				
14336	2800	1258	5.75	1330	6.92	1476	9.49	1614	12.21	1742	15.02	1863	17.95	1974	20.91	2169	26.81	2350	33.02	2527	39.69		
15360	3000	1338	6.89	1405	8.13	1542	10.84	1673	13.70	1797	16.67	1914	19.76	2024	22.91	2220	29.23	2393	35.60	2561	42.42	2726	49.66
16384	3200	1419	8.20	1481	9.49	1609	12.32	1734	15.34	1854	18.48	1967	21.70	2074	25.00	2271	31.76	2442	38.46	2602	45.42	2759	52.80
17408	3400	1500	9.66	1559	11.03	1678	13.97	1798	17.15	1913	20.44	2022	23.80	2126	27.25	2321	34.39	2494	41.57	2649	48.72	2798	56.20
19456	3800	1664	13.12	1716	14.62	1822	17.82	1930	21.26	2036	24.87	2138	28.54	2237	32.32	2422	40.04	2594	48.01	2751	56.05	2893	64.01
21504	4200	1829	17.37	1876	19.01	1971	22.45	2068	26.14	2166	30.04	2261	34.03	2353	38.08	2530	46.45	2695	55.04	2851	63.87	2996	72.79

MAXIMUM RPM: Class I — 1762 Class II — 2277 Class III — 2874 Class IV — 3088

BC DWDI 245

Fan Efficiency Grade = FEG75

Outlet Area - 6.21 ft²

Wheel Dia. - 24.50 inches

Tip Speed - 6.41 x RPM

Max. BHP = 4.85 (RPM÷1000)³

CFM	OV	0.5" SP		1" SP		2" SP		3" SP		4" SP		5" SP		6" SP		8" SP		10" SP		12" SP		14" SP	
		RPM	BHP	RPM	BHP	RPM	BHP	RPM	BHP	RPM	BHP	RPM	BHP	RPM	BHP	RPM	BHP	RPM	BHP	RPM	BHP	RPM	BHP
4968	800	516	0.60	661	1.15																		
6210	1000	562	0.82	699	1.46																		
7452	1200	614	1.09	745	1.84	946	3.44																
8694	1400	670	1.44	791	2.28	985	4.06	1148	6.03														
9936	1600	731	1.87	842	2.80	1031	4.81	1182	6.89	1323	9.18												
11178	1800	794	2.39	896	3.42	1077	5.64	1226	7.93	1355	10.30	1481	12.91										
12420	2000	861	3.04	954	4.15	1124	6.54	1272	9.08	1398	11.65	1513	14.31	1626	17.19								
13662	2200	930	3.81	1014	4.99	1175	7.58	1318	10.32	1444	13.13	1554	15.93	1659	18.90	1863	25.34						
14904	2400	1000	4.71	1077	5.98	1227	8.73	1365	11.67	1489	14.70	1601	17.80	1701	20.88	1891	27.44						
16146	2600	1071	5.76	1141	7.09	1283	10.05	1414	13.15	1535	16.39	1646	19.71	1747	23.06	1927	29.82	2102	37.24				
17388	2800	1143	6.98	1208	8.39	1341	11.52	1466	14.81	1583	18.24	1692	21.77	1793	25.37	1970	32.51	2134	40.03	2295	48.14		
18630	3000	1216	8.37	1276	9.86	1400	13.13	1520	16.63	1633	20.25	1738	23.95	1838	27.77	2016	35.43	2174	43.21	2326	51.45	2476	60.25
19872	3200	1289	9.94	1346	11.53	1461	14.93	1575	18.60	1684	22.41	1786	26.30	1884	30.34	2062	38.49	2218	46.66	2363	55.07	2506	64.06
21114	3400	1363	11.73	1416	13.38	1524	16.94	1633	20.80	1737	24.78	1837	28.89	1931	33.06	2108	41.71	2265	50.41	2406	59.70	2541	68.14
23598	3800	1512	15.94	1559	17.75	1655	21.62	1753	25.79	1849	30.15	1942	34.62	2032	39.21	2200	48.58	2356	58.23	2499	68.02	2628	77.68
26082	4200	1661	21.06	1704	23.06	1790	27.22	1878	31.69	1967	36.42	2053	41.24	2137	46.18	2298	56.35	2448	66.78	2590	77.52	2721	88.28

MAXIMUM RPM: Class I — 1601 Class II — 2068 Class III — 2610 Class IV — 2808

BC DWDI 270

Fan Efficiency Grade = FEG80

Outlet Area - 7.54 ft²

Wheel Dia. - 27.00 inches

Tip Speed - 7.07 x RPM

Max. BHP = 8.10 (RPM÷1000)³

CFM	OV	0.5" SP		1" SP		2" SP		3" SP		4" SP		5" SP		6" SP		8" SP		10" SP		12" SP		14" SP	
		RPM	BHP	RPM	BHP	RPM	BHP	RPM	BHP	RPM	BHP	RPM	BHP	RPM	BHP	RPM	BHP	RPM	BHP	RPM	BHP	RPM	BHP
6032	800	447	0.68	588	1.33																		
7540	1000	488	0.92	611	1.66																		
9048	1200	537	1.24	645	2.06	836	3.96																
10556	1400	590	1.64	687	2.56	861	4.63	1019	6.98														
12064	1600	646	2.14	735	3.17	895	5.44	1038	7.88	1175	10.64												
13572	1800	705	2.76	786	3.89	933	6.32	1069	9.03	1193	11.83	1315	14.96										
15080	2000	765	3.51	839	4.73	976	7.35	1103	10.23	1221	13.26	1332	16.42	1442	19.89								
16588	2200	828	4.41	895	5.71	1023	8.54	1142	11.58	1254	14.84	1360	18.21	1461	21.71								
18096	2400	891	5.47	953	6.86	1073	9.90	1185	13.11	1291	16.55	1392	20.14	1488	23.81	1672	31.65						
19604	2600	956	6.72	1013	8.19	1126	11.45	1231	14.83	1331	18.41	1428	22.23	1520	26.13	1694	34.20	1863	43.05				
21112	2800	1021	8.15	1074	9.71	1179	13.12	1279	16.73	1374	20.47	1466	24.44	1555	28.59	1723	37.12	1881	46.01	2037	55.75		
22620	3000	1087	9.80	1136	11.43	1235	15.04	1330	18.86	1420	22.77	1508	26.91	1593	31.22	1755	40.21	1907	49.46	2054	59.27	2199	69.82
24128	3200	1153	11.66	1199	13.38	1292	17.15	1383	21.21	1469	25.33	1552	29.58	1633	34.03	1790	43.49	1937	53.19	2077	63.17	2214	73.77
25636	3400	1219	13.74	1263	15.58	1350	19.49	1437	23.77	1519	28.08	1599	32.54	1677	37.18	1827	46.92	1970	57.13	2105	67.47	2236	78.23
28652	3800	1353	18.71	1392	20.71	1469	24.91	1548	29.56	1625	34.40	1698	39.23	1770	44.21	1908	54.51	2042	65.51	2171	76.92	2294	88.47
31668	4200	1487	24.75	1523	26.98	1593	31																

BC DWDI 300

Fan Efficiency Grade = FEG80

Outlet Area - 9.31 ft²

Wheel Dia. - 30.00 inches

Tip Speed - 7.85 x RPM

Max. BHP = 13.72 (RPM÷1000)³

CFM	OV	0.5" SP		1" SP		2" SP		3" SP		4" SP		5" SP		6" SP		8" SP		10" SP		12" SP		14" SP	
		RPM	BHP	RPM	BHP	RPM	BHP	RPM	BHP	RPM	BHP	RPM	BHP	RPM	BHP	RPM	BHP	RPM	BHP	RPM	BHP	RPM	BHP
7448	800	403	0.84	529	1.64																		
9310	1000	439	1.13	550	2.05																		
11172	1200	483	1.53	581	2.55	<u>752</u>	<u>4.88</u>																
13034	1400	531	2.03	618	3.15	<u>775</u>	<u>5.72</u>	917	8.61														
14896	1600	581	2.64	661	3.91	805	6.70	<u>935</u>	<u>9.76</u>	1058	13.15												
16758	1800	634	3.40	707	4.80	840	7.81	962	11.14	<u>1074</u>	<u>14.62</u>	1183	18.45										
18620	2000	689	4.34	756	5.86	879	9.09	993	12.64	1099	16.38	1199	<u>20.28</u>	<u>1298</u>	<u>24.57</u>								
20482	2200	745	5.45	806	7.06	921	10.55	1028	14.31	1129	18.34	1224	22.49	<u>1315</u>	<u>26.80</u>	1493	36.36						
22344	2400	802	6.75	858	8.47	966	12.23	1066	16.17	1162	20.44	1253	24.88	<u>1339</u>	<u>29.39</u>	1505	39.09						
24206	2600	860	8.29	912	10.12	1013	14.12	1108	18.32	1198	22.74	1285	27.44	1368	32.26	1525	<u>42.25</u>	1677	53.19				
26068	2800	919	10.07	966	11.96	1062	16.24	1151	20.65	1237	25.30	1320	30.22	1400	35.33	1551	45.86	<u>1693</u>	<u>56.82</u>	1834	68.91		
27930	3000	978	12.09	1022	14.09	1111	18.54	1197	23.28	1279	28.17	1357	33.21	1434	38.57	1580	49.70	<u>1716</u>	<u>61.04</u>	<u>1848</u>	<u>73.11</u>	1979	86.19
29792	3200	1037	14.37	1079	16.51	1163	21.19	1245	26.21	1322	31.26	1397	36.53	1470	42.04	1611	53.69	1743	65.63	<u>1869</u>	<u>77.95</u>	<u>1993</u>	<u>91.13</u>
31654	3400	1097	16.96	1136	19.19	1215	24.06	1293	29.32	1368	34.74	1439	40.17	1509	45.87	1644	57.90	1773	70.53	<u>1895</u>	<u>83.36</u>	<u>2013</u>	<u>96.67</u>
35378	3800	1218	23.11	1253	25.58	1323	30.82	1393	36.48	1462	42.43	1529	48.50	1593	54.59	1718	67.39	1838	80.90	1954	94.99	<u>2065</u>	<u>109.29</u>
39102	4200	1339	30.61	1371	33.33	1434	38.96	1497	44.97	1561	51.45	1623	58.05	1683	64.70	1799	78.32	1911	92.60	2020	107.59	<u>2125</u>	<u>122.97</u>

MAXIMUM RPM: Class I — 1253 Class II — 1647 Class III — 2040 Class IV — 2290

BC DWDI 330

Fan Efficiency Grade = FEG80

Outlet Area - 11.27 ft²

Wheel Dia. - 33.00 inches

Tip Speed - 8.64 x RPM

Max. BHP = 22.10 (RPM÷1000)³

CFM	OV	0.5" SP		1" SP		2" SP		3" SP		4" SP		5" SP		6" SP		8" SP		10" SP		12" SP		14" SP	
		RPM	BHP	RPM	BHP	RPM	BHP	RPM	BHP	RPM	BHP	RPM	BHP	RPM	BHP	RPM	BHP	RPM	BHP	RPM	BHP	RPM	BHP
9016	800	366	1.01	481	1.99																		
11270	1000	399	1.37	500	2.48																		
13524	1200	439	1.85	528	3.09	<u>684</u>	<u>5.91</u>																
15778	1400	483	2.46	562	3.82	705	6.94	834	10.44														
18032	1600	529	3.21	601	4.73	732	8.11	<u>850</u>	<u>11.81</u>	962	15.93												
20286	1800	577	4.13	643	5.82	764	9.46	874	13.46	976	17.67	1076	22.37										
22540	2000	627	5.26	687	7.08	799	10.99	903	15.31	999	19.82	<u>1090</u>	<u>24.54</u>	<u>1180</u>	<u>29.73</u>								
24794	2200	678	6.61	733	8.56	838	12.80	935	17.34	1027	22.23	1113	27.23	<u>1195</u>	<u>32.40</u>	1357	43.98						
27048	2400	730	8.20	780	10.25	878	14.79	969	19.56	1056	24.20	1139	30.10	1218	35.63	<u>1368</u>	<u>47.29</u>						
29302	2600	782	10.03	829	12.24	921	17.09	1007	22.15	1089	27.51	<u>1168</u>	<u>33.19</u>	1244	39.08	<u>1386</u>	<u>51.10</u>	<u>1524</u>	<u>64.30</u>				
31556	2800	836	12.21	879	14.51	965	19.63	1047	25.03	1125	30.65	1200	36.56	1273	42.78	1410	55.50	<u>1539</u>	<u>68.75</u>	1667	83.36		
33810	3000	889	14.62	930	17.10	1011	22.50	1089	28.24	1163	34.11	1234	40.22	1303	46.61	1436	60.10	<u>1560</u>	<u>73.87</u>	<u>1680</u>	<u>88.48</u>	1799	104.30
36064	3200	944	17.46	981	19.99	1057	25.62	1132	31.73	1202	37.85	1270	44.21	1337	50.94	1465	65.04	<u>1585</u>	<u>79.50</u>	<u>1700</u>	<u>94.49</u>	<u>1812</u>	<u>110.33</u>
38318	3400	998	20.57	1034	23.31	1105	29.15	1176	35.53	1244	42.07	1309	48.70	1372	55.53	1495	70.12	1612	85.38	1723	100.93	<u>1830</u>	<u>117.00</u>
42826	3800	1107	27.95	1139	30.94	<u>1203</u>	<u>37.31</u>	1267	44.20	1330	51.44	1390	58.69	1449	66.16	1562	81.58	1671	97.91	1776	114.88	<u>1877</u>	<u>132.20</u>
47334	4200	1218	37.10	1246	40.29	1304	47.18	1362	54.55	1420	62.38	1476	70.32	1531	78.44	1636	94.87	1738	112.19	1837	130.34	<u>1933</u>	<u>149.08</u>

MAXIMUM RPM: Class I — 1139 Class II — 1497 Class III — 1855 Class IV — 2081

BC DWDI 365

Fan Efficiency Grade = FEG80

Outlet Area - 13.79 ft²

Wheel Dia. - 36.50 inches

Tip Speed - 9.65 x RPM

Max. BHP = 38.41 (RPM÷1000)³

CFM	OV	0.5" SP		1" SP		2" SP		3" SP		4" SP		5" SP		6" SP		8" SP		10" SP		12" SP		14" SP	
		RPM	BHP	RPM	BHP	RPM	BHP	RPM	BHP	RPM	BHP	RPM	BHP	RPM	BHP	RPM	BHP	RPM	BHP	RPM	BHP	RPM	BHP
11032	800	326	1.22																				
13790	1000	353	1.64	447	2.96																		
16548	1200	388	2.22	469	3.70	<u>616</u>	<u>7.02</u>																
19306	1400	426	2.93	498	4.60	630	8.25																
22064	1600	466	3.81	531	5.66	652	9.75	<u>762</u>	<u>14.00</u>														
24822	1800	508	4.89	567	6.93	677	11.32	780	16.08	<u>876</u>	<u>20.92</u>												
27580	2000	552	6.22	606	8.44	707	13.18	803	18.35	893	23.63	978	29.01										
30338	2200	597	7.80	646	10.17	740	15.29	829	20.78	915	26.65	995	32.38	<u>1072</u>	<u>38.30</u>								
33096	2400	643	9.69	688	12.20	775	17.67	858	23.47	939	29.72	1016	36.09	1089	42.34	<u>1231</u>	<u>55.99</u>						
35854	2600	690	11.90	731	14.53	813	20.42	890	26.50	966	33.06	1039	39.85	1110	46.82	<u>1243</u>	<u>60.57</u>	1374	76.30				
38612	2800	736	14.38	775	17.22	851	23.38	925	29.96	995	36.67	1065	43.90	1132	51.23	1260	65.98	<u>1382</u>	<u>81.34</u>				
41370	3000	784	17.31	820	20.28	891	26.78	961	33.70	1028	40.84	1093	48.22	1157	55.94	1281	71.94	<u>1397</u>	<u>87.68</u>	<u>1510</u>	<u>104.66</u>		
44128	3200	831	20.54	865	23.69	932	30.46	998	37.77	1062	45.30	1124	53.04	1185	61.10	1304	78.00	1416	94.82	<u>1523</u>	<u>111.76</u>	<u>1629</u>	<u>130.38</u>
46886	3400	879	24.23	911	27.55	974	34.60	1037	42.32	1098	50.24	1156	58.16	1214	66.50	1328	84.12	1437	102.21	1541	120.10	<u>1641</u>	<u>138.38</u>
52402	3800	976</																					

BC DWDI 402

Fan Efficiency Grade = FEG80

Outlet Area - 16.77 ft² Wheel Dia. - 40.25 inches Tip Speed - 10.54 x RPM Max. BHP = 62.63 (RPM÷1000)³

CFM	OV	0.5" SP		1" SP		2" SP		3" SP		4" SP		5" SP		6" SP		8" SP		10" SP		12" SP		14" SP	
		RPM	BHP	RPM	BHP	RPM	BHP	RPM	BHP	RPM	BHP	RPM	BHP	RPM	BHP	RPM	BHP	RPM	BHP	RPM	BHP	RPM	BHP
13416	800	296	1.49																				
16770	1000	321	2.01	405	3.59																		
20124	1200	352	2.70	426	4.53	<u>558</u>	<u>8.50</u>																
23478	1400	386	3.56	451	5.57	571	10.01																
26832	1600	423	4.64	481	6.86			691	17.02														
30186	1800	461	5.95	514	8.41	614	13.78	708	19.60	<u>794</u>	<u>25.41</u>												
33540	2000	501	7.58	549	10.23	641	16.01	728	22.30	810	28.75	<u>887</u>	<u>35.29</u>										
36894	2200	542	9.52	586	12.37	671	18.59	752	25.30	829	32.32	902	39.33	<u>973</u>	<u>46.70</u>								
40248	2400	583	11.77	624	14.84	703	21.50	778	28.53	851	36.08	921	43.84	987	51.41	<u>1116</u>	<u>68.03</u>						
43602	2600	625	14.43	663	17.68	737	24.81	807	32.22	876	40.21	942	48.43	1006	56.84	<u>1127</u>	<u>73.62</u>	1246	92.79				
46956	2800	668	17.53	703	20.95	772	28.46	838	36.32	903	44.69	966	53.42	1027	62.38	<u>1143</u>	<u>80.32</u>	<u>1253</u>	<u>98.85</u>				
50310	3000	711	21.05	743	24.60	808	32.51	871	40.92	932	49.62	991	58.61	1050	68.18	<u>1162</u>	<u>87.56</u>	<u>1267</u>	<u>106.66</u>	<u>1370</u>	<u>127.46</u>		
53664	3200	754	25.02	784	28.76	845	37.02	905	45.93	963	55.08	1019	64.45	1074	74.18	<u>1182</u>	<u>94.74</u>	1284	115.29	<u>1381</u>	<u>135.87</u>	<u>1478</u>	<u>158.80</u>
57018	3400	797	29.45	826	33.48	883	42.04	940	51.40	995	60.96	1049	70.86	1101	80.89	<u>1204</u>	<u>102.23</u>	1303	124.25	<u>1397</u>	<u>145.92</u>	<u>1488</u>	<u>168.24</u>
63726	3800	885	40.13	910	44.43	962	53.87	1013	63.93	1064	74.61	1113	85.33	1161	96.27	<u>1254</u>	<u>118.79</u>	1346	142.82	<u>1435</u>	<u>167.44</u>	<u>1520</u>	<u>191.64</u>
70434	4200	973	53.13	996	57.90	1042	67.91	1089	78.81	1135	90.18	1181	102.05	1225	113.80	<u>1311</u>	<u>137.94</u>	1396	163.49	<u>1479</u>	<u>189.99</u>	<u>1560</u>	<u>217.13</u>

MAXIMUM RPM: Class I — 920 Class II — 1181 Class III — 1497 Class IV — 1706

BC DWDI 445

Fan Efficiency Grade = FEG80

Outlet Area - 20.49 ft² Wheel Dia. - 44.50 inches Tip Speed - 11.65 x RPM Max. BHP = 103.5 (RPM÷1000)³

CFM	OV	0.5" SP		1" SP		2" SP		3" SP		4" SP		5" SP		6" SP		8" SP		10" SP		12" SP		14" SP	
		RPM	BHP	RPM	BHP	RPM	BHP	RPM	BHP	RPM	BHP	RPM	BHP	RPM	BHP	RPM	BHP	RPM	BHP	RPM	BHP	RPM	BHP
16392	800	267	1.80																				
20490	1000	290	2.45	366	4.38																		
24588	1200	318	3.29	385	5.52	<u>505</u>	<u>10.41</u>																
28686	1400	349	4.34	408	6.81	517	12.28																
32784	1600	382	5.65	435	8.39	535	14.51	<u>625</u>	<u>20.80</u>														
36882	1800	417	7.28	465	10.29	556	16.89	640	23.92	718	31.03												
40980	2000	453	9.25	497	12.54	580	19.59	659	27.32	732	35.04	<u>803</u>	<u>43.24</u>										
45078	2200	490	11.62	530	15.12	607	22.73	680	30.89	750	39.53	816	48.09	<u>880</u>	<u>57.05</u>								
49176	2400	527	14.37	564	18.10	636	26.30	704	34.92	770	44.14	833	53.57	893	62.88	<u>1010</u>	<u>83.27</u>						
53274	2600	565	17.61	599	21.54	666	30.24	730	39.39	792	49.08	852	59.18	910	69.48	<u>1019</u>	<u>89.87</u>	1127	113.39				
57372	2800	604	21.41	635	25.51	698	34.75	758	44.40	816	54.47	873	65.13	929	76.26	<u>1034</u>	<u>98.20</u>	<u>1133</u>	<u>120.69</u>				
61470	3000	643	25.72	672	30.07	731	39.77	788	50.05	843	60.65	896	71.55	949	83.14	<u>1051</u>	<u>107.00</u>	<u>1146</u>	<u>130.35</u>	<u>1239</u>	<u>155.70</u>		
65568	3200	682	30.58	709	35.14	764	45.20	819	56.23	871	67.32	922	78.85	972	90.83	<u>1069</u>	<u>115.74</u>	1161	140.75	<u>1249</u>	<u>166.00</u>	<u>1337</u>	<u>194.13</u>
69666	3400	721	36.02	747	40.91	799	51.46	850	62.78	900	74.52	948	86.39	996	98.91	<u>1089</u>	<u>124.94</u>	1179	152.02	<u>1263</u>	<u>178.08</u>	<u>1346</u>	<u>205.64</u>
77862	3800	800	48.96	823	54.29	869	65.60	916	78.08	962	91.09	1006	104.08	1049	117.29	<u>1134</u>	<u>145.09</u>	1218	174.79	<u>1298</u>	<u>204.66</u>	<u>1375</u>	<u>234.28</u>
86058	4200	879	64.70	901	70.80	942	82.89	984	96.05	1026	110.04	1068	124.67	1108	139.10	<u>1186</u>	<u>168.69</u>	1262	199.51	<u>1338</u>	<u>232.33</u>	<u>1411</u>	<u>265.35</u>

MAXIMUM RPM: Class I — 832 Class II — 1068 Class III — 1354 Class IV — 1545

BC DWDI 490

Fan Efficiency Grade = FEG80

Outlet Area - 24.85 ft² Wheel Dia. - 49.00 inches Tip Speed - 12.83 x RPM Max. BHP = 167.5 (RPM÷1000)³

CFM	OV	0.5" SP		1" SP		2" SP		3" SP		4" SP		5" SP		6" SP		8" SP		10" SP		12" SP		14" SP	
		RPM	BHP	RPM	BHP	RPM	BHP	RPM	BHP	RPM	BHP	RPM	BHP	RPM	BHP	RPM	BHP	RPM	BHP	RPM	BHP	RPM	BHP
19880	800	243	2.20																				
24850	1000	263	2.96	333	5.34																		
29820	1200	289	3.99	350	6.71	459	12.65																
34790	1400	317	5.27	371	8.29	469	14.84																
39760	1600	347	6.86	395	10.16	486	17.61	<u>567</u>	<u>25.14</u>														
44730	1800	379	8.85	423	12.54	505	20.49	581	28.97	<u>652</u>	<u>37.62</u>												
49700	2000	411	11.19	451	15.17	527	23.79	598	33.05	665	42.54	<u>729</u>	<u>52.38</u>										
54670	2200	445	14.09	481	18.30	551	27.52	617	37.36	681	47.90	741	58.31	<u>799</u>	<u>69.14</u>								
59640	2400	479	17.46	512	21.92	578	31.95	639	42.27	699	53.46	757	65.09	811	76.25	<u>917</u>	<u>100.90</u>						
64610	2600	514	21.46	544	26.12	605	36.69	663	47.77	719	59.45	774	71.83	826	84.12	<u>926</u>	<u>109.19</u>	1024	137.70				
69580	2800	549	26.02	577	30.98	634	42.15	689	53.98	741	66.03	793	79.02	844	92.57	<u>939</u>	<u>119.07</u>	<u>1029</u>	<u>146.38</u>				
74550	3000	584	31.19	610	36.40	664	48.25	716	60.78	765	73.38	814	86.85	862	100.87	<u>954</u>	<u>129.56</u>	<u>1040</u>	<u>157.72</u>	<u>1125</u>	<u>188.71</u>		
79520	3200	619	37.01	644	42.62	694	54.84	744	68.24	791	81.62	837	95.50	882	109.86	<u>971</u>	<u>140.42</u>	1055	170.98	<u>1135</u>	<u>201.68</u>	<u>1214</u>	<u>235.29</u>
84490	3400	655	43.72	678	49.51	725	62.23	772	76.13	818	90.58	861	104.77	905	120.12	<u>989</u>	<u>151.50</u>	1071	184.49	<u>1147</u>	<u>215.94</u>	<u>1222</u>	<u>249.14</u>
94430	3800	727	59.48	748	65.98	790	79.78	832	94.71	874	110.58	914	126.35	953	142.37	<u>1030</u>	<u>176.00</u>	1106	211.86	<u>1179</u>	<u>248.30</u>	<u>1249</u>	<u>284.28</u>
104370	4200	799	78.66	818	85.76	856	100.68	894	116.59	932	133.51	970	151.20	1006	168.53	<u>1077</u>	<u>204.50</u>	1147	242.48	<u>1215</u>	<u>281.64</u>	<u>1282</u>	<u>322.21</u>

MAXIMUM RPM: Class I — 748 Class II — 966 Class III — 1222 Class IV — 1401

Performance certified is for installation Type B & D: Free or ducted inlet, ducted outlet.
Power rating (BHP) does not include transmission losses.
Performance ratings do not include the effects of appurtenances (accessories).

Legend:

Class I = Regular face to left of Class II Class III = *Italic face* to right of Class II
Class II = Regular face in light shaded area Class IV = *Italic face* in darker shaded area
Max. Static Efficiency = Underlined

BC DWDI 542

Fan Efficiency Grade = FEG80

Outlet Area - 30.46 ft² Wheel Dia. - 54.25 inches Tip Speed - 14.20 x RPM Max. BHP = 278.6 (RPM÷1000)³

CFM	OV	0.5" SP		1" SP		2" SP		3" SP		4" SP		5" SP		6" SP		8" SP		10" SP		12" SP		14" SP	
		RPM	BHP	RPM	BHP	RPM	BHP	RPM	BHP	RPM	BHP	RPM	BHP	RPM	BHP	RPM	BHP	RPM	BHP	RPM	BHP	RPM	BHP
24368	800	219	2.68																				
30460	1000	238	3.65	300	6.50																		
36552	1200	261	4.89	316	8.22	414	15.45																
42644	1400	286	6.44	335	10.15	424	18.24																
48736	1600	314	8.45	357	12.48	439	21.59	512	30.80														
54828	1800	342	10.81	382	15.36	456	25.10	525	35.55	589	46.13												
60920	2000	372	13.80	408	18.68	476	29.16	540	40.48	601	52.23	658	64.07										
67012	2200	402	17.28	435	22.51	498	33.80	558	45.97	615	58.69	669	71.38	722	84.86								
73104	2400	433	21.46	463	26.96	522	39.15	577	51.77	632	65.73	683	79.53	733	93.65	828	123.57						
79196	2600	464	26.26	492	32.14	547	45.11	599	58.60	650	73.06	699	88.01	747	103.50	836	133.65	925	168.84				
85288	2800	495	31.73	521	37.94	573	51.77	622	66.07	670	81.20	716	96.75	762	113.33	848	145.88	930	179.77				
91380	3000	527	38.13	551	44.63	600	59.22	646	74.26	691	89.95	735	106.36	779	123.85	862	158.98	940	193.73	1016	231.22		
97472	3200	559	45.34	582	52.33	627	67.28	672	83.64	714	99.86	756	117.06	797	134.84	877	172.11	953	209.65	1025	247.09	1096	288.00
103564	3400	591	53.24	613	60.88	655	76.33	698	93.61	738	110.65	778	128.59	817	147.01	894	186.15	967	225.89	1036	264.69	1104	305.60
115748	3800	656	72.70	675	80.06	713	97.56	751	115.87	789	135.33	825	154.57	861	174.64	931	216.21	999	259.71	1065	304.44	1128	348.34
127932	4200	722	96.55	739	105.19	773	123.33	808	143.19	842	163.77	876	185.25	909	206.82	973	250.84	1036	297.22	1098	345.77	1158	395.01

MAXIMUM RPM: Class I — 676 Class II — 872 Class III — 1104 Class IV — 1260

BC DWDI 600

Fan Efficiency Grade = FEG80

Outlet Area - 37.26 ft² Wheel Dia. - 60.00 inches Tip Speed - 15.71 x RPM Max. BHP = 461.0 (RPM÷1000)³

CFM	OV	0.5" SP		1" SP		2" SP		3" SP		4" SP		5" SP		6" SP		8" SP		10" SP		12" SP		14" SP	
		RPM	BHP	RPM	BHP	RPM	BHP	RPM	BHP	RPM	BHP	RPM	BHP	RPM	BHP	RPM	BHP	RPM	BHP	RPM	BHP	RPM	BHP
29808	800	198	3.28																				
37260	1000	215	4.45	272	8.01																		
44712	1200	236	5.99	285	9.97	374	18.84																
52164	1400	259	7.91	303	12.43	383	22.24																
59616	1600	283	10.24	323	15.30	397	26.42	463	37.69														
67068	1800	309	13.20	345	18.73	412	30.63	475	43.58	533	56.57												
74520	2000	336	16.83	369	22.87	430	35.58	489	49.74	543	63.75	595	78.40										
81972	2200	363	21.06	393	27.47	450	41.27	504	56.05	556	71.77	605	87.36	652	103.42								
89424	2400	391	26.15	418	32.83	472	47.90	522	63.43	571	80.22	618	97.50	662	114.17	749	151.36						
96876	2600	419	32.00	445	39.36	494	54.99	542	71.84	587	89.05	632	107.65	675	126.37	756	163.56	836	206.27				
104328	2800	448	38.92	471	46.39	518	63.29	562	80.64	605	98.93	648	118.69	689	138.64	767	178.64	841	220.00				
111780	3000	477	46.79	499	54.86	542	72.24	584	90.79	625	110.15	665	130.36	704	151.27	779	194.18	850	237.04	919	283.18		
119232	3200	506	55.65	526	63.93	567	82.33	607	102.01	646	122.39	684	143.47	721	165.20	793	210.56	861	255.85	927	302.47	991	352.33
126684	3400	535	65.58	554	74.36	592	93.26	631	114.44	668	135.79	704	157.66	739	180.04	808	227.43	874	276.00	937	324.07	998	373.59
141588	3800	593	88.86	611	99.00	645	119.52	679	141.71	713	165.26	746	189.12	778	213.23	841	263.74	903	317.41	963	372.47	1020	426.23
156492	4200	652	117.67	668	128.57	699	150.91	730	174.75	761	200.08	792	226.56	822	253.09	880	307.09	936	362.74	992	421.96	1047	483.16

MAXIMUM RPM: Class I — 611 Class II — 789 Class III — 998 Class IV — 1146

BC DWDI 660

Fan Efficiency Grade = FEG80

Outlet Area - 45.08 ft² Wheel Dia. - 66.00 inches Tip Speed - 17.28 x RPM Max. BHP = 743 (RPM÷1000)³

CFM	OV	0.5" SP		1" SP		2" SP		3" SP		4" SP		5" SP		6" SP		8" SP		10" SP		12" SP		14" SP	
		RPM	BHP	RPM	BHP	RPM	BHP	RPM	BHP	RPM	BHP	RPM	BHP	RPM	BHP	RPM	BHP	RPM	BHP	RPM	BHP	RPM	BHP
36064	800	180	3.97																				
45080	1000	195	5.34	247	9.66																		
54096	1200	214	7.19	260	12.20	340	22.80																
63112	1400	235	9.52	275	14.96	348	26.87																
72128	1600	258	12.49	294	18.58	360	31.73	421	45.63														
81144	1800	281	15.99	314	22.74	375	37.20	432	52.79	484	68.22												
90160	2000	305	20.27	335	27.56	391	43.08	444	59.97	494	77.31	541	94.90										
99176	2200	330	25.48	357	33.17	409	49.91	458	67.74	506	87.12	550	105.70	593	125.30								
108192	2400	356	31.78	380	39.73	429	57.92	475	76.97	519	97.01	562	118.08	602	138.26	681	183.21						
117208	2600	381	38.74	404	47.43	449	66.50	492	86.54	534	107.97	575	130.56	614	153.18	687	197.67	760	249.57				
126224	2800	407	47.00	428	56.05	471	76.63	511	97.63	550	119.71	589	143.55	626	167.46	697	215.88	764	265.61				
135240	3000	433	56.36	453	66.10	493	87.55	531	109.91	568	133.15	604	157.30	640	183.03	708	234.77	772	286.00	835	342.07		
144256	3200	460	67.34	478	77.27	515	99.36	552	123.56	587	147.88	621	172.91	655	199.47	721	254.87	783	309.88	842	365.02	901	426.42
153272	3400	486	79.17	504	90.17	539	113.36	573	138.01	607	164.08	640	190.77	672	218.02	734	274.56	795	334.52	852	392.35	907	451.61
171304	3800	539	107.47	555	119.49	586	144.35	618	172.08	649	200.73	678	228.65	708	258.80	765	319.69	821	384.18	875	449.97	927	515.25
189336	4200	593	142.57	607	155.36	636	183.07	664	211.79	692	242.29	720	274.14	747	305.91	800	371.57	851	439.04	902	510.87	952	584.93

MAXIMUM RPM: Class I — 555 Class II — 717 Class III — 907 Class IV — 1040

Performance certified is for installation Type B & D: Free or ducted inlet, ducted outlet.
Power rating (BHP) does not include transmission losses.
Performance ratings do not include the effects of appurtenances (accessories).

Legend:

Class I = Regular face to left of Class II Class III = *Italic face* to right of Class II
Class II = Regular face in light shaded area Class IV = *Italic face* in darker shaded area
Max. Static Efficiency = Underlined

BC DWDI 730

Fan Efficiency Grade = FEG80

Outlet Area - 55.15 ft² Wheel Dia. - 73.00 inches Tip Speed - 19.11 x RPM Max. BHP = 1229 (RPM÷1000)³

CFM	OV	0.5" SP		1" SP		2" SP		3" SP		4" SP		5" SP		6" SP		8" SP		10" SP		12" SP		14" SP	
		RPM	BHP	RPM	BHP	RPM	BHP	RPM	BHP	RPM	BHP	RPM	BHP	RPM	BHP	RPM	BHP	RPM	BHP	RPM	BHP	RPM	BHP
44120	800	163	4.87																				
55150	1000	177	6.62	223	11.77																		
66180	1200	194	8.87	235	14.91	<u>308</u>	<u>28.06</u>																
77210	1400	213	11.73	249	18.39	315	32.99																
88240	1600	233	15.23	265	22.52	326	39.00	<u>381</u>	<u>55.98</u>														
99270	1800	254	19.55	284	27.85	339	45.50	390	64.30	<u>438</u>	<u>83.69</u>												
110300	2000	276	24.86	303	33.76	353	52.48	402	73.68	446	94.17	<u>489</u>	<u>116.01</u>										
121330	2200	299	31.38	323	40.66	370	61.16	414	82.82	457	106.24	497	129.10	<u>536</u>	<u>153.17</u>								
132360	2400	321	38.57	344	48.79	388	70.93	429	93.87	469	118.50	508	144.36	544	168.89	616	224.47						
143390	2600	345	47.62	365	57.90	406	81.38	445	106.00	483	132.25	519	158.94	555	187.27	<u>621</u>	<u>241.67</u>	687	305.15				
154420	2800	368	57.51	387	68.60	426	93.85	462	119.44	498	147.10	532	175.10	566	204.89	630	263.90	<u>691</u>	<u>325.31</u>				
165450	3000	392	69.23	410	81.12	446	107.31	480	134.39	514	163.34	546	192.35	579	224.34	640	287.06	698	349.92	755	418.59		
176480	3200	416	82.45	432	94.43	466	121.85	499	151.09	531	181.21	562	212.16	592	243.79	652	311.99	708	379.24	<u>762</u>	<u>447.86</u>	<u>815</u>	<u>522.43</u>
187510	3400	440	97.26	455	109.83	487	138.42	518	168.79	549	200.96	578	232.62	607	265.98	664	336.48	719	409.64	770	479.43	820	552.44
209570	3800	488	132.03	502	146.37	530	176.79	558	209.68	586	244.60	613	279.75	640	316.44	692	391.70	742	469.48	791	550.28	838	630.10
231630	4200	536	174.29	549	190.28	575	223.95	600	258.67	626	296.91	651	335.43	675	373.62	723	454.03	770	538.37	816	626.11	860	713.82

MAXIMUM RPM: Class I — 502 Class II — 648 Class III — 820 Class IV — 940

BC DWDI 807

Fan Efficiency Grade = FEG80

Outlet Area - 67.48 ft² Wheel Dia. - 80.75 inches Tip Speed - 21.14 x RPM Max. BHP = 2036 (RPM÷1000)³

CFM	OV	0.5" SP		1" SP		2" SP		3" SP		4" SP		5" SP		6" SP		8" SP		10" SP		12" SP		14" SP	
		RPM	BHP	RPM	BHP	RPM	BHP	RPM	BHP	RPM	BHP	RPM	BHP	RPM	BHP	RPM	BHP	RPM	BHP	RPM	BHP	RPM	BHP
53984	800	147	5.92																				
67480	1000	160	8.09	202	14.49																		
80976	1200	175	10.78	212	18.13	<u>278</u>	<u>34.17</u>																
94472	1400	192	14.23	225	22.47	285	40.46																
107968	1600	211	18.73	240	27.71	295	47.86	<u>344</u>	<u>68.24</u>														
121464	1800	230	24.03	256	33.79	306	55.41	353	78.96	396	102.43												
134960	2000	250	30.60	274	41.34	319	64.14	363	89.84	404	115.92	<u>442</u>	<u>141.88</u>										
148456	2200	270	38.26	292	49.75	334	74.51	375	101.94	413	129.87	450	158.71	<u>485</u>	<u>187.94</u>								
161952	2400	291	47.59	311	59.71	350	86.23	388	115.01	424	145.01	459	176.36	492	206.92	<u>556</u>	<u>273.35</u>						
175448	2600	312	58.33	330	70.87	367	99.55	402	129.42	436	161.11	470	195.48	502	229.50	<u>562</u>	<u>296.66</u>	621	373.26				
188944	2800	333	70.57	350	84.04	385	114.73	418	146.50	450	179.75	481	214.32	512	251.18	570	323.70	<u>625</u>	<u>398.65</u>				
202440	3000	354	84.44	370	98.74	403	131.11	434	164.52	464	199.00	494	235.94	523	273.83	579	352.01	<u>631</u>	<u>428.14</u>	683	513.22		
215936	3200	376	100.82	391	115.95	421	148.81	451	184.74	480	221.68	508	259.50	535	297.99	589	380.93	640	463.92	688	545.93	737	639.81
229432	3400	397	118.31	412	135.04	440	169.07	469	207.48	496	245.43	523	285.41	549	325.91	600	411.15	650	501.24	696	586.37	742	677.87
256424	3800	441	161.37	454	179.32	479	216.14	505	257.41	530	299.71	555	343.84	578	386.05	625	477.94	671	575.00	715	673.08	758	772.28
283416	4200	485	213.84	496	232.39	519	272.74	543	317.54	566	363.46	588	409.35	611	458.93	654	556.54	696	658.47	737	763.98	778	875.23

MAXIMUM RPM: Class I — 459 Class II — 589 Class III — 746 Class IV — 851

BC DWDI 890

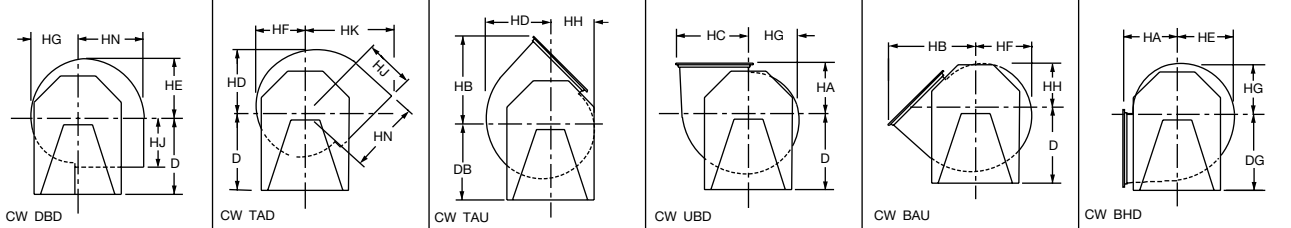
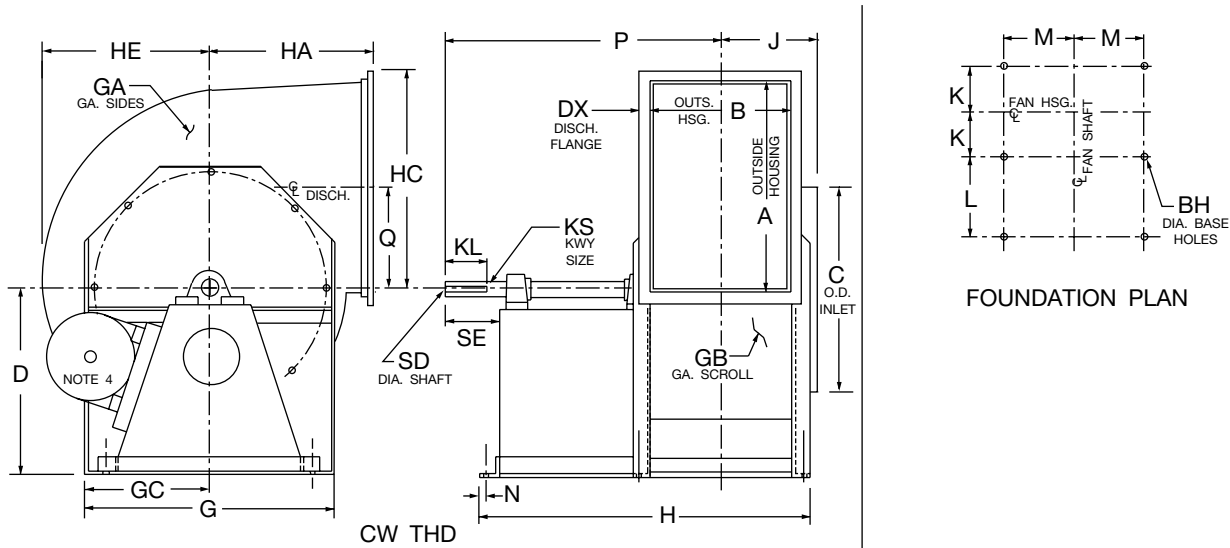
Fan Efficiency Grade = FEG80

Outlet Area - 81.98 ft² Wheel Dia. - 89.00 inches Tip Speed - 23.30 x RPM Max. BHP = 3311 (RPM÷1000)³

CFM	OV	0.5" SP		1" SP		2" SP		3" SP		4" SP		5" SP		6" SP		8" SP		10" SP		12" SP		14" SP	
		RPM	BHP	RPM	BHP	RPM	BHP	RPM	BHP	RPM	BHP	RPM	BHP	RPM	BHP	RPM	BHP	RPM	BHP	RPM	BHP	RPM	BHP
65584	800	134	7.30																				
81980	1000	145	9.80	183	17.52																		
98376	1200	159	13.15	192	21.90	<u>252</u>	<u>41.40</u>																
114772	1400	175	17.52	204	27.24	258	48.82																
131168	1600	191	22.60	218	33.78	267	57.71	<u>312</u>	<u>82.81</u>														
147564	1800	208	28.91	233	41.43	278	67.58	320	95.67	<u>359</u>	<u>124.13</u>												
163960	2000	226	36.77	248	49.86	290	78.38	329	108.79	366	140.19	<u>401</u>	<u>172.33</u>										
180356	2200	245	46.49	265	60.48	303	90.48	340	123.57	375	158.12	408	192.40	<u>440</u>	<u>228.25</u>								
196752	2400	264	57.79	282	72.40	318	105.19	352	139.68	385	176.58	417	215.09	447	252.40	<u>505</u>	<u>333.15</u>						
213148	2600	283	70.79	300	86.60	333	120.95	365	157.56	396	196.33	426	236.75	455	277.95	<u>510</u>	<u>360.60</u>	564	454.82				
229544	2800	302	85.62	318	102.52	349	139.00	379	177.61	408	217.89	437	261.41	464	304.07	517	392.86	<u>567</u>	<u>484.13</u>				
245940	3000	321	102.39	336	120.27	365	158.43	394	200.21	421	241.76	448	286.21	475	333.66	525	426.83	<u>573</u>	<u>521.46</u>	619	621.40		
262336	3200	341	122.32	355	141.14	382	180.80	409	224.10	435	268.35	461	315.42	486	363.33	535	464.31	581	564.54	<u>625</u>	<u>665.69</u>	<u>668</u>	<u>774.89</u>
278732	3400	361	144.68	374	164.30	399	205.05	425	251.10	450	298.10	474	345.57	498	395.65	545	501.17	589	606.61	632	714.10	673	822.69
311524	3800	400	195.85	412	217.96	435	263.28	458	312.31	481	364.37	503	416.32	525	470.52	567	580.40	609	699.20	649	818.72	688	939.27
344316	4200	440	259.69	450	282.26	471	331.54	492	384.17	513	440.14	534	498.68	554	556.40	593	674.79	631	798.07	669	929.41	706	1063.78

MAXIMUM RPM: Class I — 416 Class II — 534 Class III — 677 Class IV — 772

**Arrangement 9, SWSI, Rotatable
Class I & II**



Notes:

1. Discharge angles are included on all discharges except 'TAD' and 'DBD.'
2. "CW" rotation is shown. "CCW" rotation is similar but opposite.
3. * Shaft diameter is increased to 1.187 on Hi-Temp fans that require shaft coolers.
4. Standard Arr. 9 motor location is on the left for "CW" rotation units and on the right for "CCW" rotation. Dimension "FR" equals max. motor frame.

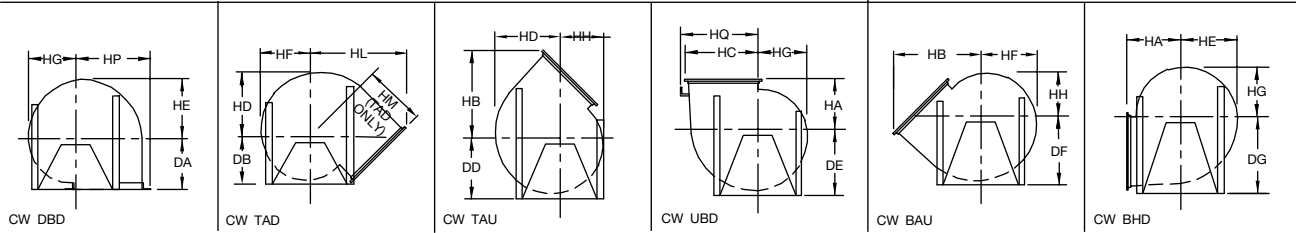
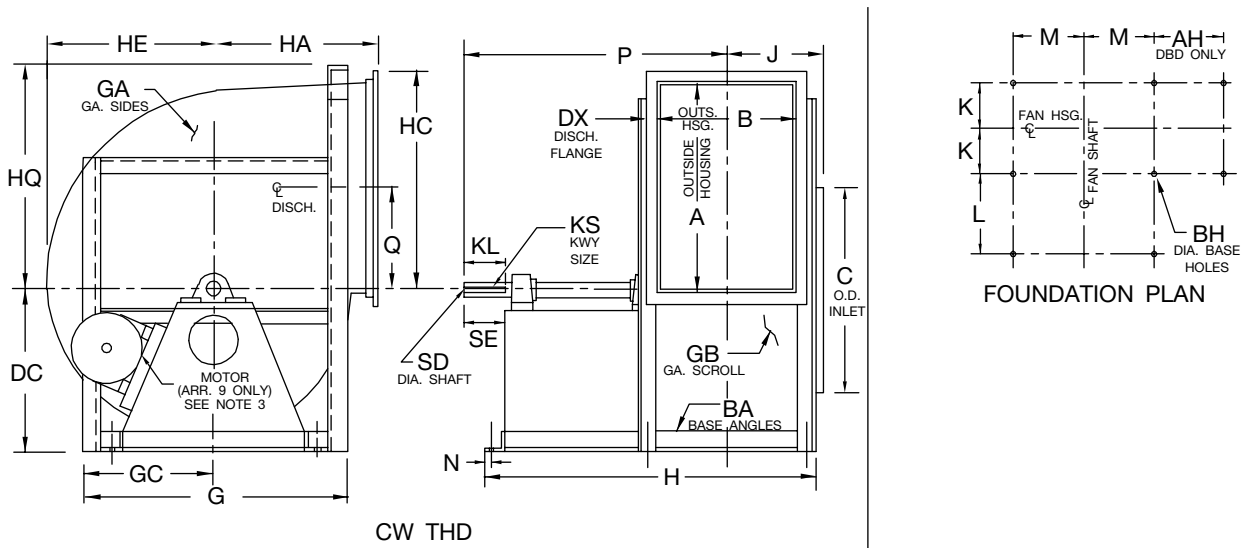
SIZE	A	B	BH	C	D	DX	FR	G	GA	GB	GC	H	HA	HB	HC	HD	HE	HF	HG
122	13.00	9.75	0.44	13.25	14.50	1.00	145T	16.00	14	14	8.00	27.00	9.75	16.75	13.94	11.19	10.56	9.94	9.31
135	14.31	10.81	0.44	14.56	15.75	1.00	184T	17.50	14	14	8.75	30.63	10.75	18.38	15.25	12.31	11.63	10.94	10.25
150	15.88	11.94	0.44	16.19	17.75	1.00	184T	19.00	14	14	9.50	31.75	11.94	20.31	16.81	13.75	12.88	12.13	11.38
165	17.44	13.19	0.44	17.75	19.00	1.00	215T	20.50	14	14	10.25	36.13	13.13	22.25	18.38	15.06	14.13	13.31	12.50
182	19.38	14.56	0.44	19.50	21.00	1.25	254T	22.50	12	14	11.25	41.88	14.50	24.81	20.56	16.69	15.69	14.75	13.81
200	21.19	15.94	0.56	21.38	22.75	1.25	254T	25.00	12	14	12.50	43.25	15.81	27.00	22.38	18.38	17.31	16.25	15.91
222	23.56	17.69	0.56	23.75	25.50	1.25	256T	27.25	12	14	13.63	45.25	17.69	30.00	24.75	20.44	19.06	17.94	16.81
245	25.94	19.44	0.56	26.06	28.00	1.25	256T	29.75	12	14	14.88	47.00	19.50	33.00	27.13	22.38	21.00	19.75	18.50
270	28.63	21.38	0.56	28.50	30.50	1.50	284T	33.00	12	14	16.50	51.75	21.44	36.44	30.06	24.69	23.19	21.81	20.44

SIZE	HH	HJ	HK	HN	J	K	KL	KS		L	M	N	P	Q	SD		SE
								CL I	CL II						CL I	CL II	
122	8.69	9.25	15.69	12.94	7.44	5.75	2.50	0.25x0.13	0.25x0.13	14.50	6.75	0.50	22.50	6.44	1.000	1.000*	3.25
135	9.56	10.25	17.31	14.25	8.00	6.31	2.50	0.25x0.13	0.25x0.13	17.00	7.38	0.50	25.56	7.13	1.000	1.000*	3.25
150	10.63	11.44	19.25	15.81	9.06	6.88	3.00	0.25x0.13	0.25x0.13	17.00	8.25	0.50	26.63	7.88	1.000	1.187	3.75
165	11.69	12.63	21.19	17.38	9.69	7.50	3.00	0.25x0.13	0.25x0.13	19.88	8.75	0.63	29.75	8.69	1.000*	1.188	3.75
182	12.88	14.00	23.56	19.31	10.88	8.19	3.50	0.25x0.13	0.38x0.19	24.25	9.63	0.63	35.31	9.63	1.187	1.437	4.25
200	14.13	15.31	25.75	21.13	11.56	8.88	3.50	0.38x0.19	0.38x0.19	24.25	10.63	0.63	36.00	10.56	1.437	1.437	4.25
222	15.69	17.19	28.75	23.50	12.44	10.00	4.00	0.38x0.19	0.38x0.19	23.50	11.75	0.88	37.13	11.75	1.437	1.437	4.75
245	17.25	19.00	31.75	25.88	13.31	10.88	4.50	0.38x0.19	0.38x0.19	23.50	12.88	0.88	38.50	12.94	1.437	1.687	5.25
270	19.06	20.94	35.00	28.56	14.25	11.81	4.50	0.38x0.19	0.38x0.19	26.38	14.13	0.88	42.31	14.25	1.687	1.687	5.25

AC9239F

DIMENSIONS NOT TO BE USED FOR CONSTRUCTION. CERTIFIED DRAWINGS AVAILABLE UPON REQUEST.

Arrangement 1 & 9, SWSI, Non-Rotatable Class I & II



Notes:

1. Discharge angles are included on all discharges.
2. "CW" rotation is shown. "CCW" rotation is similar but opposite.
3. Standard Arr. 9 motor location is on the left for "CW" rotation units and on the right for "CCW" rotation. Dimension "FR" equals max. motor frame.
4. For fans with inlet box at 90 degrees or 270 degrees, use "BAU" discharge dimension "DF" for centerline height.

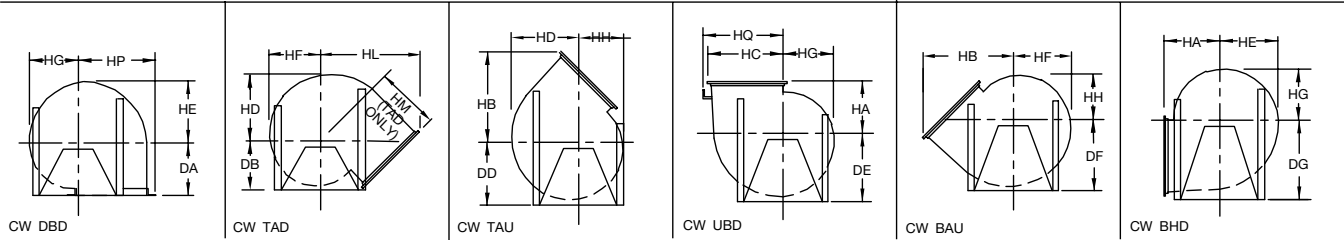
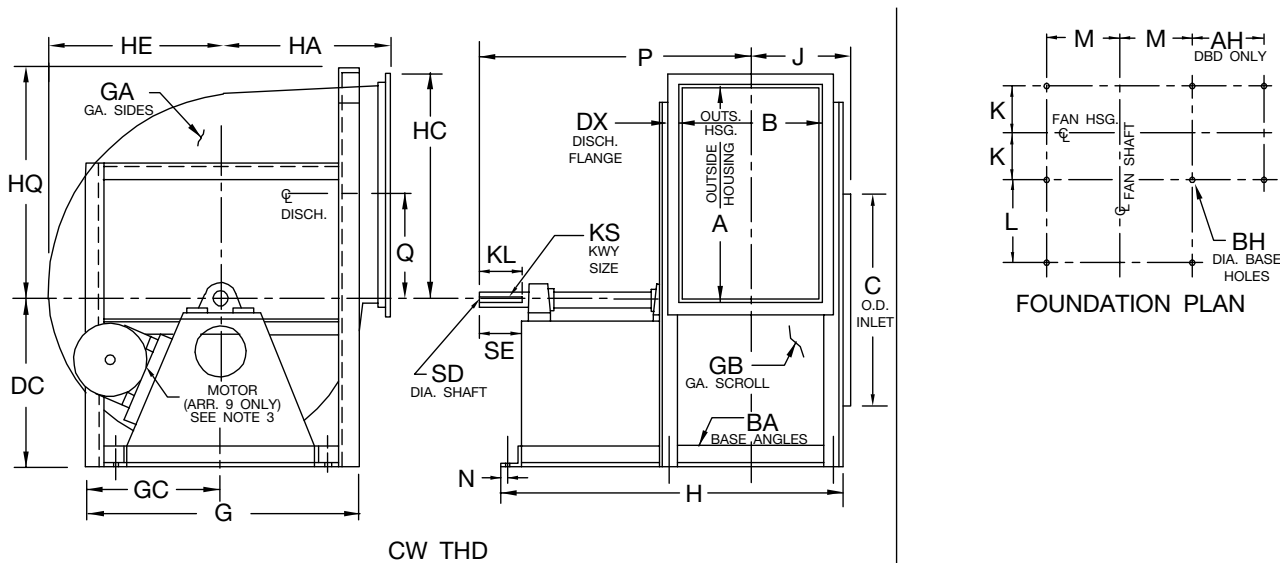
SIZE	A	AH	B	BA	BH	C	DA (Note 4)	DB (Note 4)	DC (Note 4)	DD (Note 4)	DE (Note 4)	DF	DG	DX	FR ARR. 9	G
300	31.81	17.25	23.81	2.5x2.5	0.56	31.63	26.75	26.75	26.75	26.75	28.50	30.00	35.50	1.50	286T	41.00
330	35.13	19.06	26.06	2.5x2.5	0.56	34.75	30.00	30.00	30.00	30.00	31.00	32.75	39.00	1.50	324T	44.00
365	38.69	21.13	28.88	2.5x2.5	0.56	38.50	29.00	30.50	29.50	31.50	33.50	35.50	41.00	1.50	324T	48.00
402	42.63	23.31	31.81	3.0x3.0	0.81	42.44	32.00	32.50	33.00	35.25	37.00	39.50	45.50	1.50	326T	52.50
445	47.13	25.81	35.19	3.0x3.0	0.81	46.88	35.38	36.25	35.50	38.50	40.00	43.25	50.00	1.50	364T	56.50
490	51.94	28.13	38.63	3.0x3.0	0.81	51.63	39.00	38.75	39.00	42.25	44.00	47.50	54.75	2.00	364T	61.50
542	57.38	31.81	42.88	3.0x4.0	0.81	57.13	43.06	42.25	43.50	46.50	49.00	52.25	60.25	2.00	404T	67.00
600	63.50	34.94	47.31	3.0x4.0	0.81	63.13	47.69	45.00	48.00	51.25	54.00	57.50	66.25	2.00	404T	73.00
660	69.69	39.13	52.19	3.5x5.0	0.81	69.38	52.44	49.50	52.50	55.75	59.00	63.00	73.25	2.50	405T	80.00
730	77.25	42.63	57.56	3.5x5.0	0.81	76.75	58.00	54.25	57.00	61.75	64.50	69.50	80.75	2.50	405T	88.00

SIZE	GA	GB	GC	H	HA	HB	HC	HD	HE	HF	HG	HH	HL	HM	HP	HQ
300	10	12	20.50	55.75	23.81	40.31	33.25	27.44	25.75	24.25	22.75	21.25	47.13	33.44	34.25	
330	10	12	22.00	60.63	26.25	44.44	36.56	30.13	28.38	26.69	25.00	23.31	51.00	35.56	37.56	
365	10	12	24.00	63.38	29.00	48.88	40.13	33.50	31.50	29.63	27.75	25.88	55.50	38.38	41.13	
402	10	12	26.25	67.88	32.00	53.81	44.06	37.00	34.69	32.63	30.56	28.50	60.50	41.56	45.56	
445	10	12	28.25	72.88	35.38	59.38	48.56	40.88	38.25	36.00	33.75	31.50	65.69	44.38	50.06	
490	10	12	30.75	76.63	39.00	65.69	53.88	44.88	42.19	39.69	37.19	34.69	72.31	48.44	54.88	
542	10	12	33.50	87.50	43.06	72.38	59.31	49.75	46.69	43.94	41.19	38.44	78.88	52.31	61.31	59.75
600	10	12	36.50	91.75	47.69	80.00	65.44	55.00	51.69	48.63	45.56	42.50	86.25	56.56	67.44	65.75
660	10	12	40.00	101.25	52.44	88.06	72.13	60.38	56.81	53.38	49.94	46.50	94.81	62.00	74.63	72.25
730	10	10	44.00	109.63	58.00	97.31	79.63	66.94	62.88	59.13	55.38	51.63	104.19	67.69	82.13	79.75

AC9238E

DIMENSIONS NOT TO BE USED FOR CONSTRUCTION. CERTIFIED DRAWINGS AVAILABLE UPON REQUEST.

Arrangement 1 & 9, SWSI, Non-Rotatable
Class I & II (cont'd.)



Notes:

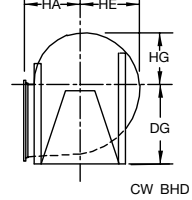
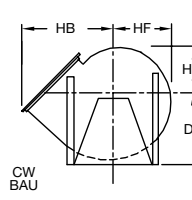
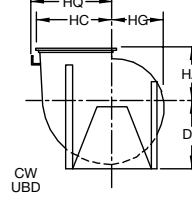
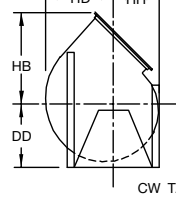
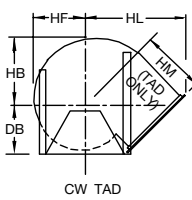
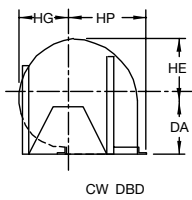
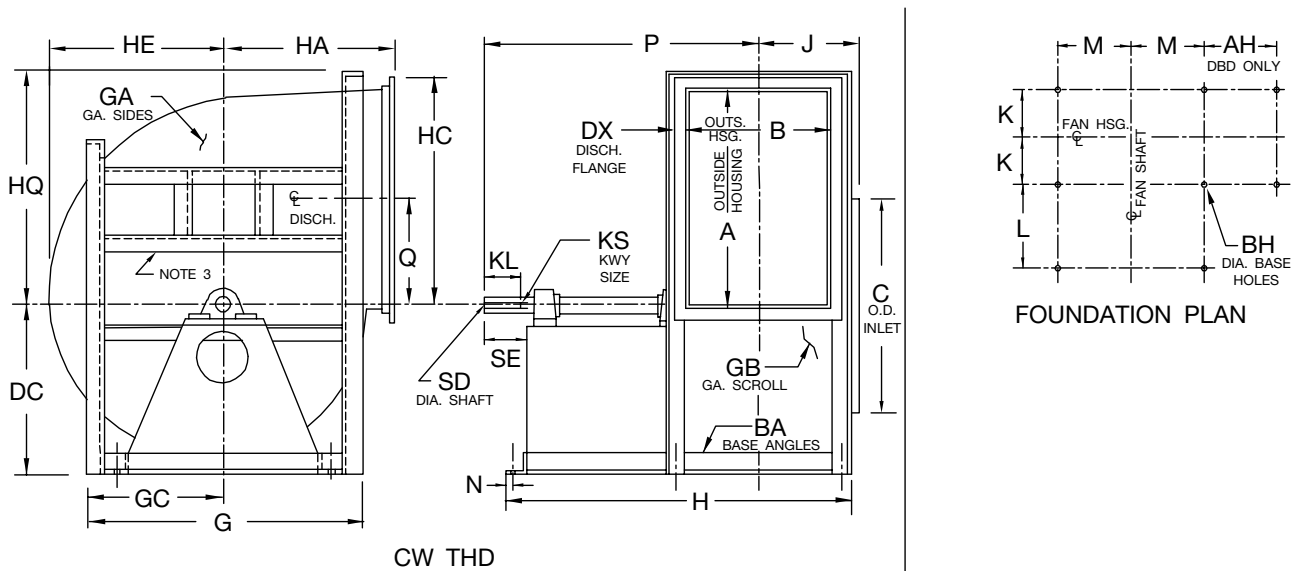
1. Discharge angles are included on all discharges.
2. "CW" rotation is shown. "CCW" rotation is similar but opposite.
3. Standard Arr. 9 motor location is on the left for "CW" rotation units and on the right for "CCW" rotation. Dimension "FR" equals max. motor frame.
4. For fans with inlet box at 90 degrees or 270 degrees, use "BAU" discharge dimension "DF" for centerline height.

SIZE	J	K	KL	KS		L	M	N	P	Q	SD		SE
				CL I	CL II						CL I	CL II	
300	15.50	13.31	5.00	0.50x0.25	0.50x0.25	26.88	15.88	1.13	44.56	15.81	1.937	1.937	5.75
330	16.63	14.44	5.00	0.50x0.25	0.50x0.25	29.50	17.38	1.13	48.31	17.50	1.937	2.187	5.75
365	18.00	15.81	5.00	0.50x0.25	0.63x0.31	29.50	18.88	1.13	49.69	19.25	1.937	2.437	5.75
402	20.00	17.56	5.00	0.50x0.25	0.63x0.31	30.00	20.88	1.38	51.69	21.25	2.187	2.437	5.75
445	21.69	19.25	5.50	0.63x0.31	0.63x0.31	31.63	22.88	1.38	55.50	23.50	2.437	2.687	6.25
490	23.38	20.94	5.50	0.63x0.31	0.75x0.38	32.00	25.38	1.38	57.56	25.88	2.687	2.937	6.25
542	26.50	23.56	6.00	0.75x0.38	0.88x0.44	36.63	27.63	1.88	64.81	28.63	2.937	3.437	6.75
600	28.75	25.81	6.00	0.75x0.38	0.88x0.44	36.38	30.63	1.88	66.81	31.69	2.937	3.437	6.75
660	32.19	28.75	7.00	0.88x0.44	1.0x0.50	39.00	33.13	2.38	72.88	34.75	3.437	3.937	7.75
730	34.94	31.44	7.50	0.88x0.44	1.0x0.50	42.00	37.13	2.38	79.06	38.50	3.437	3.937	8.25

AC9238E

DIMENSIONS NOT TO BE USED FOR CONSTRUCTION. CERTIFIED DRAWINGS AVAILABLE UPON REQUEST.

Arrangement 1, SWSI, Non-Rotatable Class I & II



Notes:

1. Discharge angles are included on all discharges.
2. "CW" rotation is shown. "CCW" rotation is similar but opposite.
3. Frame supports vary in construction by size and by discharge position.
4. For fans with inlet box at 90 degrees or 270 degrees, use "BAU" discharge dimension "DF" for centerline height.

SIZE	A	AH	B	BA	BH	C	DA (Note 4)	DB (Note 4)	DC (Note 4)	DD (Note 4)	DE (Note 4)	DF	DG	DX	G
807	85.44	47.06	63.63	3.50 x 5.00	0.81	84.88	64.19	59.50	63.00	67.50	72.00	76.50	89.00	2.50	95.50
890	94.13	50.25	70.13	3.50 x 5.00	0.81	93.38	70.00	65.50	69.25	73.75	78.25	85.00	97.75	2.50	106.50
982	104.00	53.75	77.50	4.00 x 6.00	0.81	103.50	77.75	71.50	76.50	80.00	86.50	92.00	108.25	2.50	122.00

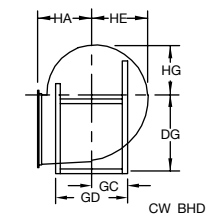
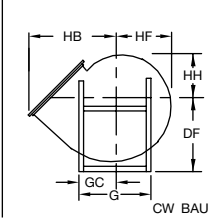
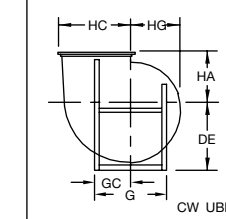
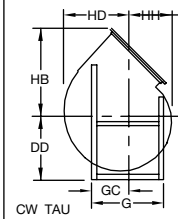
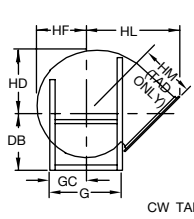
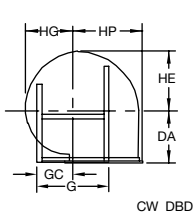
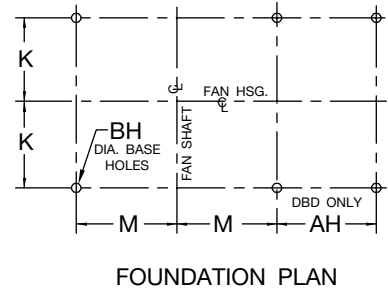
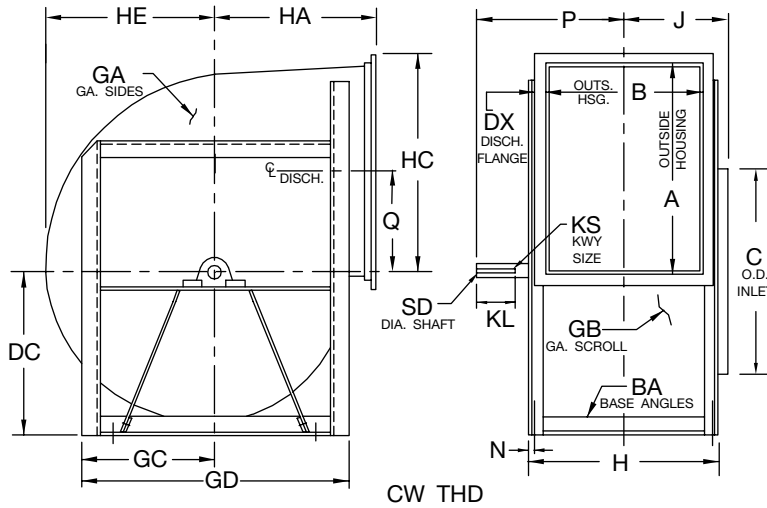
SIZE	GA	GB	GC	H	HA	HB	HC	HD	HE	HF	HG	HH	HL	HM	HP	HQ
807	10	10	47.75	118.63	64.19	107.50	87.81	74.00	69.50	65.38	61.25	57.13	113.69	73.00	90.31	87.75
890	7	10	53.25	128.13	70.00	117.75	96.50	81.56	76.63	72.06	67.50	62.94	125.38	80.75	99.00	96.50
982	7	7	61.00	140.63	77.75	130.13	106.31	90.06	84.63	79.56	74.50	69.44	140.06	91.75	109.75	106.75

SIZE	J	K	KL	KS		L	M	N	P	Q	SD		SE
				CL I	CL II						CL I	CL II	
807	37.81	34.44	8.00	1.00x0.50	1.00x0.50	45.00	40.88	2.38	85.81	42.63	3.937	4.437	9.00
890	41.06	37.69	8.00	1.00x0.50	1.25x0.63	48.00	46.38	2.38	92.06	46.94	3.937	4.937	9.00
982	45.75	41.88	8.00	1.25x0.63	1.25x0.63	51.13	53.13	2.88	98.88	51.81	4.937	5.437	9.00

AC9259G

DIMENSIONS NOT TO BE USED FOR CONSTRUCTION. CERTIFIED DRAWINGS AVAILABLE UPON REQUEST.

Arrangement 3, SWSI, Non-Rotatable Class I & II



Notes:

1. Discharge angles are included on all discharges.
2. Inlet bearing bar support is removable.
3. "CW" rotation is shown. "CCW" rotation is similar but opposite.
4. Bearing bar supports may extend beyond base angles. See drawing AC1000851 for dimensions if space limitations are required for mounting fan.

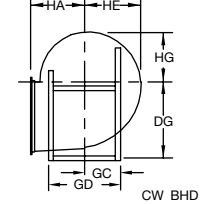
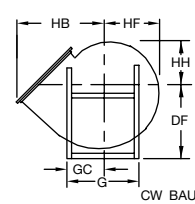
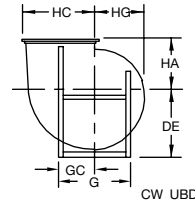
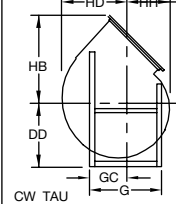
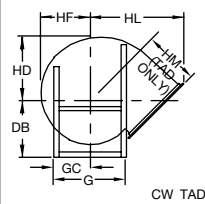
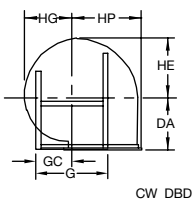
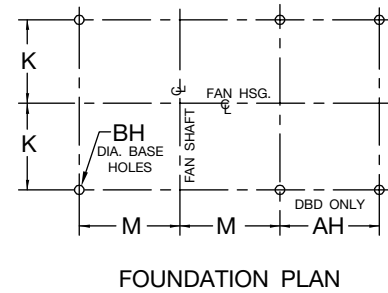
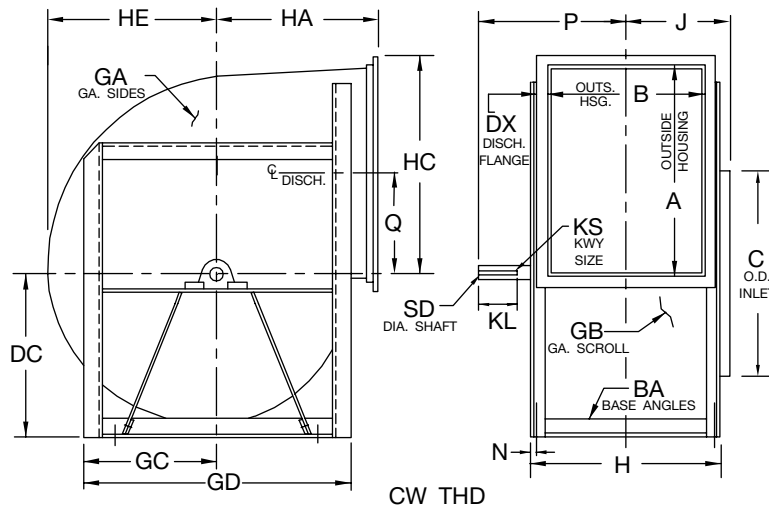
SIZE	A	AH	B	BA	BH	C	DA	DB	DC	DD	DE	DF	DG	DX	G
122	13.00	7.06	9.75	1.50 x 1.50	0.44	13.25	9.75	15.25	10.25	11.00	11.50	12.25	15.00	1.00	19.75
135	14.31	7.75	10.81	1.50 x 1.50	0.44	14.56	10.75	16.00	11.25	12.00	12.75	13.25	16.25	1.00	21.00
150	15.88	8.44	11.94	1.50 x 1.50	0.44	16.19	11.94	16.75	12.25	13.25	14.00	14.75	18.00	1.00	22.75
165	17.44	9.75	13.19	1.50 x 2.00	0.44	17.75	13.13	17.50	13.50	14.50	15.25	16.25	19.50	1.00	24.25
182	19.38	10.81	14.56	1.50 x 2.00	0.44	19.50	14.50	18.50	14.75	15.75	16.75	17.75	21.50	1.25	26.00
200	21.19	11.63	15.94	1.50 x 2.00	0.56	21.38	15.81	19.50	16.25	17.25	18.25	19.25	23.50	1.25	28.00
222	23.56	12.88	17.69	2.00 x 2.00	0.56	23.75	17.69	21.00	18.00	19.25	20.50	22.00	26.00	1.25	31.25
245	25.94	14.13	19.44	2.00 x 2.00	0.56	26.06	19.50	22.00	20.00	21.25	22.50	24.00	28.25	1.25	33.50
270	28.63	15.56	21.38	2.00 x 2.00	0.56	28.50	21.44	23.50	22.00	23.50	24.75	26.25	31.00	1.50	36.00

SIZE	GA	GB	GC	GD	H	HA	HB	HC	HD	HE	HF	HG	HH	HL	HM	HP
122	14	14	9.88	18.50	12.75	9.75	16.75	13.94	11.19	10.56	9.94	9.31	8.69	22.50	17.88	14.44
135	14	14	10.50	19.75	13.88	10.75	18.38	15.25	12.31	11.63	10.94	10.25	9.56	24.06	18.75	15.75
150	14	14	11.38	21.50	15.00	11.94	20.31	16.81	13.75	12.88	12.13	11.38	10.63	26.00	20.00	17.31
165	14	14	12.13	24.25	17.25	13.13	22.25	18.38	15.06	14.13	13.31	12.50	11.69	27.88	21.06	19.38
182	12	14	13.00	26.00	18.63	14.50	24.81	20.56	16.69	15.69	14.75	13.81	12.88	30.44	22.50	21.31
200	12	14	14.00	28.00	20.00	15.81	27.00	22.38	18.38	17.31	16.25	15.19	14.13	32.75	23.94	23.13
222	12	14	15.63	31.25	21.75	17.69	30.00	24.75	20.44	19.06	17.94	16.81	15.69	36.06	26.25	25.50
245	12	14	16.75	33.50	23.50	19.50	33.00	27.13	22.38	21.00	19.75	18.50	17.25	38.88	27.81	27.88
270	12	14	18.00	36.00	25.38	21.44	36.44	30.06	24.69	23.19	21.81	20.44	19.06	42.38	29.88	30.56

AC9834G

DIMENSIONS NOT TO BE USED FOR CONSTRUCTION. CERTIFIED DRAWINGS AVAILABLE UPON REQUEST.

Arrangement 3, SWSI, Non-Rotatable Class I & II (cont'd.)



Notes:

1. Discharge angles are included on all discharges.
2. Inlet bearing bar support is removable.
3. "CW" rotation is shown. "CCW" rotation is similar but opposite.
4. Bearing bar supports may extend beyond base angles. See drawing AC1000851 for dimensions if space limitations are required for mounting fan.

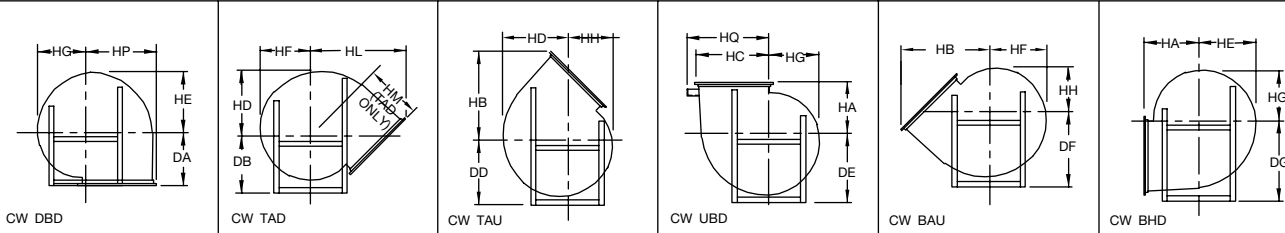
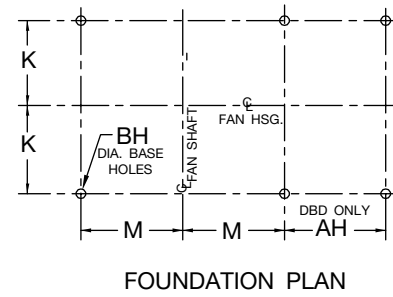
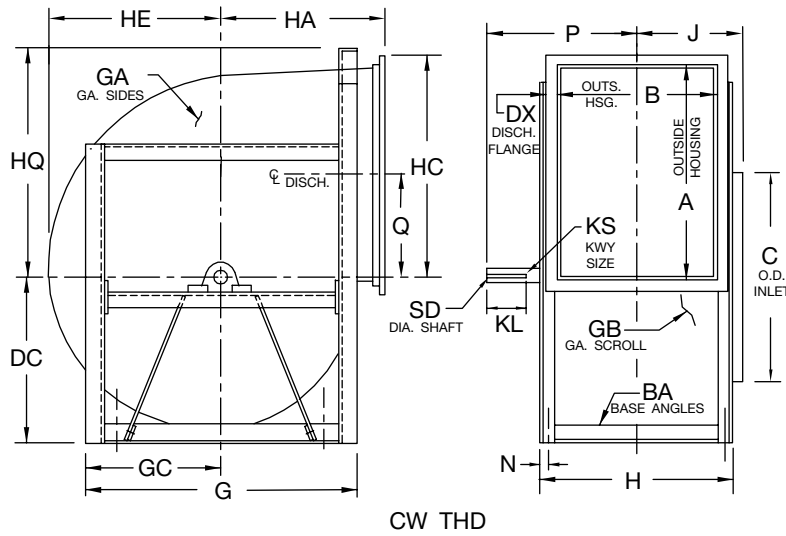
SIZE	J	K	KL	KS		M	N	P		Q	SD	
				CL I	CL II			CL I	CL II		CL I	CL II
122	7.44	5.75	2.50	0.25 x 0.13	0.25 x 0.13	6.75	0.63	10.00	10.00	6.44	1.000	1.000
135	8.00	6.31	2.50	0.25 x 0.13	0.25 x 0.13	7.38	0.63	10.56	10.56	7.13	1.000	1.000
150	9.06	6.88	3.00	0.25 x 0.13	0.25 x 0.13	8.25	0.63	11.63	12.00	7.88	1.000	1.187
165	9.69	7.75	3.00	0.25 x 0.13	0.25 x 0.13	8.75	0.88	12.25	12.63	8.69	1.000	1.187
182	10.88	8.44	3.50	0.25 x 0.13	0.38 x 0.19	9.63	0.88	13.81	14.63	9.63	1.187	1.437
200	11.56	9.13	3.50	0.38 x 0.19	0.38 x 0.19	10.63	0.88	15.31	15.31	10.56	1.437	1.437
222	12.44	10.00	4.00	0.38 x 0.19	0.38 x 0.19	11.75	0.88	16.69	16.69	11.75	1.437	1.437
245	13.31	10.88	4.50	0.38 x 0.19	0.38 x 0.19	12.88	0.88	18.06	18.44	12.94	1.437	1.687
270	14.25	11.81	4.50	0.38 x 0.19	0.38 x 0.19	14.13	0.88	19.00	19.38	14.25	1.437	1.687

AC9834G

DIMENSIONS NOT TO BE USED FOR CONSTRUCTION. CERTIFIED DRAWINGS AVAILABLE UPON REQUEST.



Arrangement 3, SWSI, Non-Rotatable Class I & II



Notes:

1. Discharge angles are included on all discharges.
2. Inlet bearing bar support is removable.
3. "CW" rotation is shown. "CCW" rotation is similar but opposite.
4. Frame supports vary in construction by size and by discharge position.
5. Bearing bar supports may extend beyond base angles. See drawing AC1000851 for dimensions if space limitations are required for mounting fan.

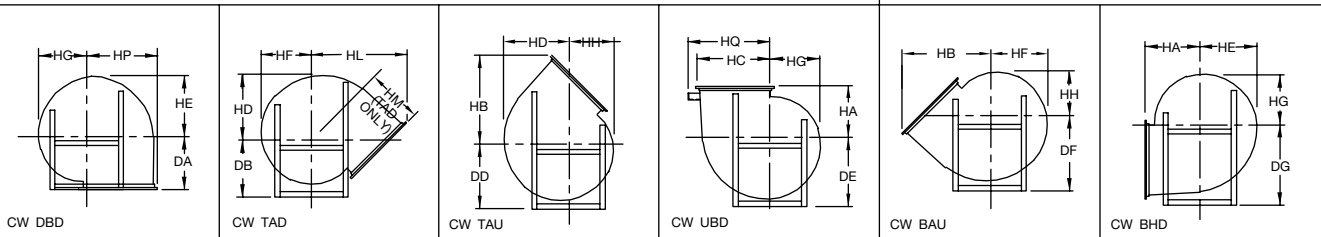
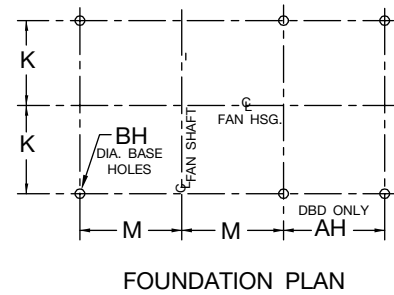
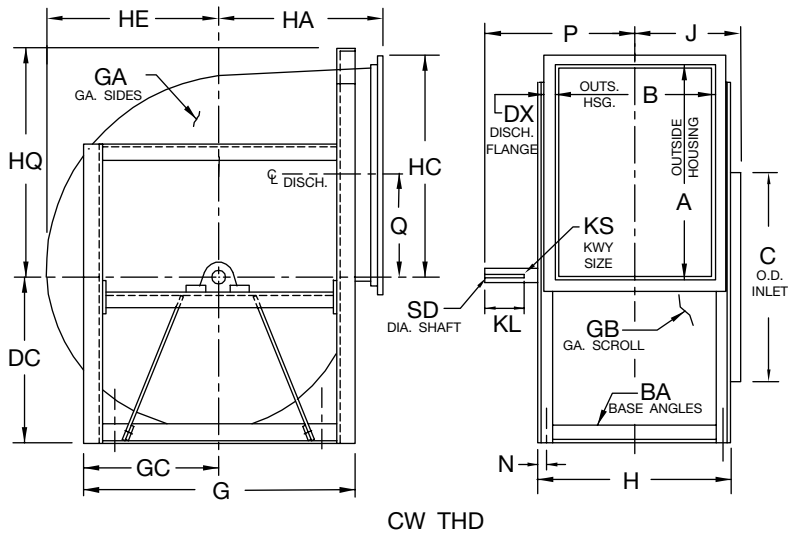
SIZE	A	AH	B	BA	BH	C	DA	DB	DC	DD	DE	DF	DG	DX	G
300	31.81	17.25	23.81	2.50 x 2.50	0.56	31.63	23.81	26.00	24.50	26.00	28.50	29.50	34.25	1.50	41.00
330	35.13	19.06	26.06	2.50 x 2.50	0.56	34.75	26.25	27.75	27.00	28.50	31.00	32.25	37.25	1.50	44.00
365	38.69	21.13	28.88	2.50 x 2.50	0.56	38.50	29.00	30.50	29.50	31.50	33.50	35.50	41.00	1.50	48.00
402	42.63	23.31	31.81	3.00 x 3.00	0.81	42.44	32.00	32.50	33.00	35.25	37.00	39.50	45.50	1.50	52.50
445	47.13	25.81	35.19	3.00 x 3.00	0.81	46.88	35.38	36.25	35.50	38.50	40.00	43.25	50.00	1.50	56.50
490	51.94	28.13	38.63	3.00 x 3.00	0.81	51.63	39.00	38.75	39.00	42.25	44.00	47.50	54.75	2.00	61.50
542	57.38	31.81	42.88	3.00 x 4.00	0.81	57.13	43.06	42.25	43.50	46.50	49.00	52.25	60.25	2.00	67.00
600	63.50	34.94	47.31	3.00 x 4.00	0.81	63.13	47.69	45.00	48.00	51.25	54.00	57.50	66.25	2.00	73.00
660	69.69	39.13	52.19	3.50 x 5.00	0.81	69.38	52.44	49.50	52.50	55.75	59.00	63.00	73.25	2.50	80.00
730	77.25	42.63	57.56	3.50 x 5.00	0.81	76.75	58.00	54.25	57.00	61.75	64.50	69.50	80.75	2.50	88.00

SIZE	GA	GB	GC	H	HA	HB	HC	HD	HE	HF	HG	HH	HL	HM	HP	HQ
300	10	12	20.50	28.88	23.81	40.31	33.25	27.44	25.75	24.25	22.75	21.25	47.13	33.44	34.25	
330	10	12	22.00	31.13	26.25	44.44	36.56	30.13	28.38	26.69	25.00	23.31	51.00	35.56	37.56	
365	10	12	24.00	33.88	29.00	48.88	40.13	33.50	31.50	29.63	27.75	25.88	55.50	38.38	41.13	
402	10	12	26.25	37.88	32.00	53.81	44.06	37.00	34.69	32.63	30.56	28.50	60.50	41.56	45.56	
445	10	12	28.25	41.25	35.38	59.38	48.56	40.88	38.25	36.00	33.75	31.50	65.59	44.38	50.06	
490	10	12	30.75	44.63	39.00	65.69	53.88	44.88	42.19	39.69	37.19	34.69	72.31	48.44	54.88	
542	10	12	33.50	50.88	43.06	72.38	59.31	49.75	46.69	43.94	41.19	38.44	78.88	52.31	61.31	59.75
600	10	12	36.50	55.38	47.69	80.00	65.44	55.00	51.69	48.63	45.56	42.50	86.25	56.56	67.44	65.75
660	10	12	40.00	62.25	52.44	88.06	72.13	60.38	56.81	53.38	49.94	46.50	94.81	62.00	74.63	72.25
730	10	10	44.00	67.63	58.00	97.31	79.63	66.94	62.88	59.13	55.38	51.63	104.19	67.69	82.13	79.75

AC9241F

DIMENSIONS NOT TO BE USED FOR CONSTRUCTION. CERTIFIED DRAWINGS AVAILABLE UPON REQUEST.

Arrangement 3, SWSI, Non-Rotatable Class I & II (cont'd.)



Notes:

1. Discharge angles are included on all discharges.
2. Inlet bearing bar support is removable.
3. "CW" rotation is shown. "CCW" rotation is similar but opposite.
4. Frame supports vary in construction by size and by discharge position.
5. Bearing bar supports may extend beyond base angles. See drawing AC1000851 for dimensions if space limitations are required for mounting fan.

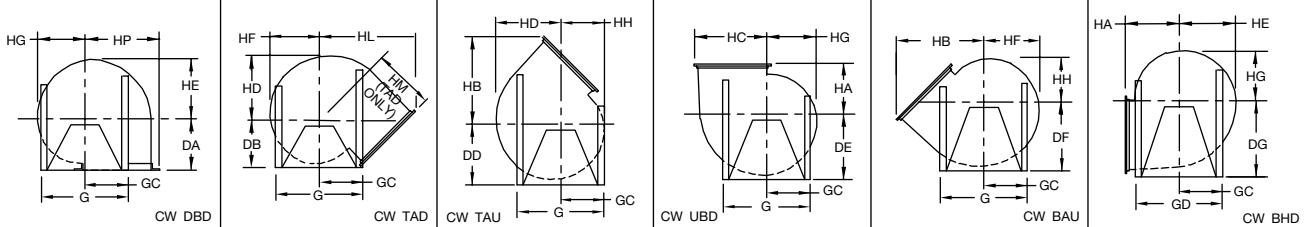
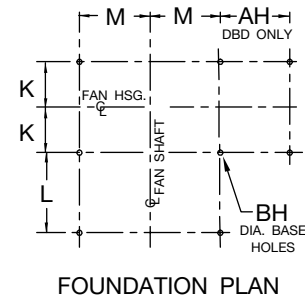
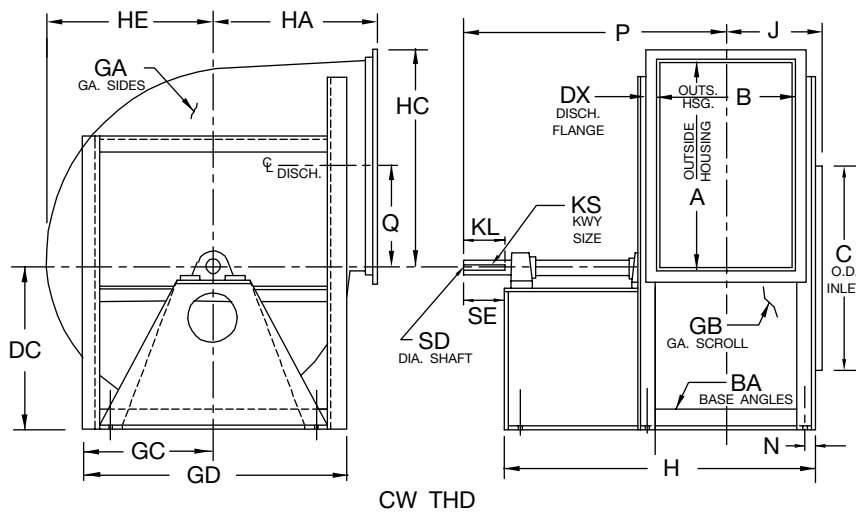
SIZE	J	K	KL	KS		M	N	P		Q	SD	
				CL I	CL II			CL I	CL II		CL I	CL II
300	16.00	13.31	5.00	0.38 x 0.19	0.50 x 0.25	15.88	1.13	21.13	21.25	15.81	1.687	1.937
330	17.13	14.44	5.00	0.38 x 0.19	0.50 x 0.25	17.38	1.13	22.25	22.88	17.50	1.687	2.187
365	19.06	15.81	5.00	0.50 x 0.25	0.63 x 0.31	18.88	1.13	23.75	24.63	19.25	1.937	2.437
402	20.50	17.56	5.00	0.50 x 0.25	0.63 x 0.31	20.88	1.38	25.25	26.13	21.25	1.937	2.437
445	22.69	19.25	5.50	0.50 x 0.25	0.63 x 0.31	22.88	1.38	27.44	29.19	23.50	1.937	2.687
490	24.44	20.94	5.50	0.50 x 0.25	0.63 x 0.31	25.38	1.38	30.25	30.88	25.88	2.187	2.687
542	26.56	23.56	6.00	0.63 x 0.31	0.75 x 0.38	27.63	1.88	33.38	33.75	28.63	2.437	2.937
600	29.75	25.81	6.00	0.75 x 0.38	0.88 x 0.44	30.63	1.88	35.50	36.88	31.69	2.937	3.437
660	32.19	28.75	7.00	0.75 x 0.38	1.00 x 0.50	33.13	2.38	39.88	40.81	34.75	2.937	3.937
730	34.88	31.44	7.50	0.88 x 0.44	1.00 x 0.50	37.13	2.38	43.50	44.00	38.50	3.437	3.937

AC9241F

DIMENSIONS NOT TO BE USED FOR CONSTRUCTION. CERTIFIED DRAWINGS AVAILABLE UPON REQUEST.



**Arrangement 1, SWSI, Non-Rotatable
Class III**



Notes:

1. Discharge angles are included on all discharges.
2. "CW" rotation is shown. "CCW" rotation is similar but opposite.
3. For fans size 182-330 (except TAD 182-200) with inlet box at 90 degrees or 270 degrees, use "BAU" discharge dimension "DF" for centerline height.

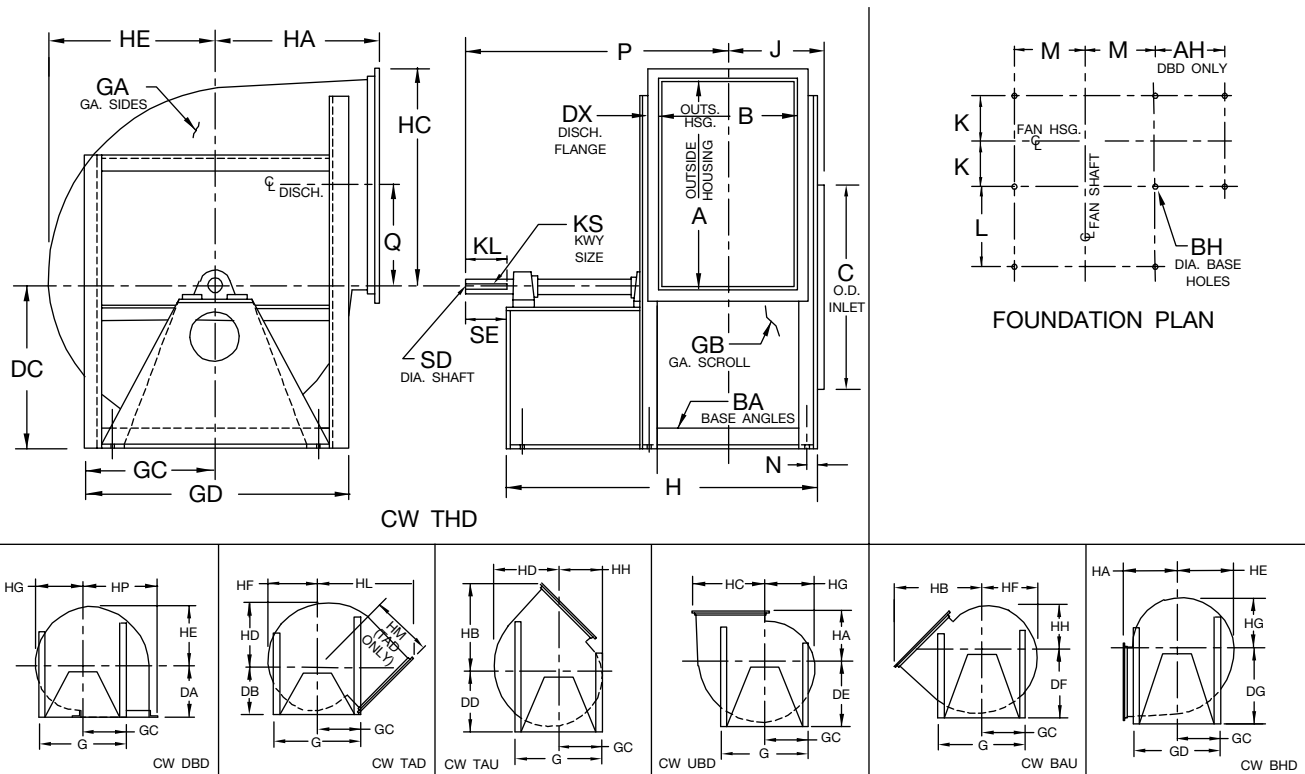
SIZE	A	AH	B	BA	BH	C	DA (Note 3)	DB (Note 3)	DC (Note 3)	DD (Note 3)	DE (Note 3)	DF	DG	DX	G
122	13.13	7.63	9.88	1.50 x 2.00	0.44	13.25	9.75	15.25	10.25	11.00	11.50	12.25	15.50	1.25	19.75
135	14.44	8.31	10.94	1.50 x 2.00	0.44	14.56	10.75	16.00	11.25	12.00	12.75	13.25	16.75	1.25	21.00
150	16.00	9.00	12.06	1.50 x 2.00	0.44	16.19	11.94	16.75	12.25	13.25	14.00	14.75	18.50	1.25	22.75
165	17.56	9.81	13.31	1.50 x 2.00	0.44	17.75	13.13	17.50	13.50	14.50	15.25	16.25	19.50	1.25	24.25
182	19.50	10.88	14.63	2.00 x 2.00	0.56	19.50	14.50	18.50	14.75	15.75	16.75	17.75	22.00	1.25	27.00
200	21.31	11.69	16.00	2.00 x 2.00	0.56	21.38	15.81	19.50	16.25	17.25	18.25	19.25	24.00	1.25	29.00
222	23.69	13.44	17.75	2.50 x 2.50	0.56	23.75	17.69	21.00	18.00	19.25	20.50	22.00	26.50	1.25	32.25
245	26.19	14.63	19.63	2.50 x 2.50	0.56	26.06	19.50	22.00	20.00	21.25	22.50	24.00	28.75	1.50	34.50
270	28.88	16.19	21.56	2.50 x 2.50	0.56	28.50	21.44	23.50	22.00	23.50	24.75	26.25	31.50	1.50	37.00
300	32.00	17.81	23.94	3.00 x 3.00	0.81	31.63	23.81	26.00	24.50	26.00	27.50	29.50	34.75	1.50	42.00
330	35.31	19.63	26.19	3.00 x 3.00	0.81	34.75	26.25	27.75	27.00	28.50	30.00	32.25	37.75	1.50	45.00

SIZE	GA	GB	GC	GD	H	HA	HB	HC	HD	HE	HF	HG	HH	HL	HM	HP
122	10	10	9.88	18.63	22.38	9.75	17.00	14.25	11.25	10.63	10.00	9.38	8.75	22.94	18.19	15.00
135	10	10	10.50	19.88	24.00	10.75	18.63	15.56	12.38	11.69	11.00	10.31	9.63	24.50	19.06	16.31
150	10	10	11.38	21.63	26.63	11.94	20.56	17.13	13.81	12.94	12.19	11.44	10.69	26.50	20.31	17.88
165	10	10	12.13	23.13	27.88	13.13	22.50	18.69	15.13	14.19	13.38	12.56	11.75	28.31	21.38	19.44
182	10	10	13.50	27.00	30.13	14.50	24.81	20.63	16.75	15.75	14.81	13.88	12.94	31.06	23.31	21.38
200	10	10	14.50	29.00	32.50	15.81	27.06	22.44	18.38	17.38	16.31	15.25	14.19	33.31	24.69	23.19
222	10	10	16.13	32.25	37.25	17.69	30.06	24.81	20.50	19.13	18.00	16.88	15.75	36.69	27.06	26.06
245	7	7	17.25	34.50	40.63	19.50	33.25	27.50	22.50	21.13	19.88	18.63	17.38	38.88	27.50	28.50
270	7	7	18.50	37.00	44.63	21.44	36.50	30.19	24.81	23.31	21.94	20.56	19.19	42.06	29.25	31.19
300	7	7	21.00	42.00	49.50	23.81	40.38	33.31	27.50	25.81	24.31	22.81	21.13	46.75	32.81	34.81
330	7	7	22.50	45.00	53.75	26.25	44.44	36.63	30.19	28.44	26.75	25.06	23.38	50.63	34.94	38.13

AC9244D

DIMENSIONS NOT TO BE USED FOR CONSTRUCTION. CERTIFIED DRAWINGS AVAILABLE UPON REQUEST.

Arrangement 1, SWSI, Non-Rotatable Class III (cont'd.)



- Notes:**
1. Discharge angles are included on all discharges.
 2. "CW" rotation is shown. "CCW" rotation is similar but opposite.
 3. For fans size 182-330 (except TAD 182-200) with inlet box at 90 degrees or 270 degrees, use "BAU" discharge dimension "DF" for centerline height.

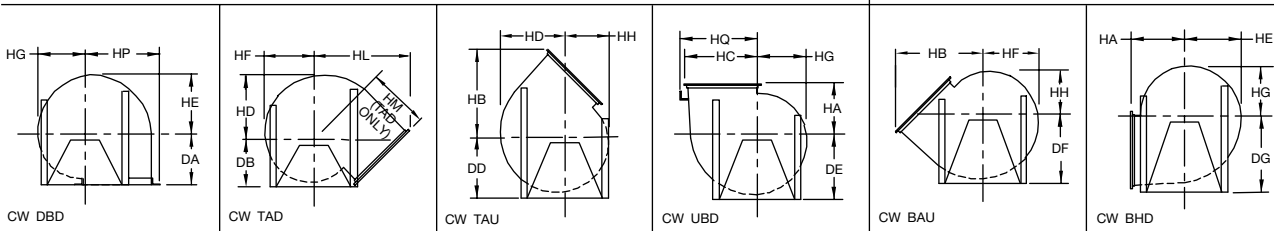
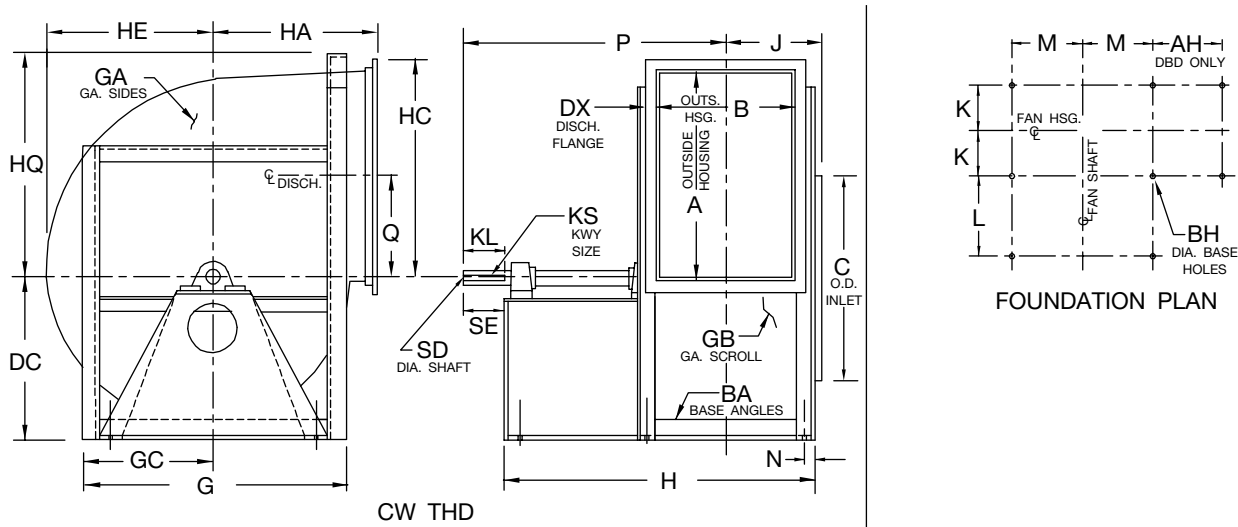
SIZE	J	K	KL	KS	L	M	N	P	Q	SD	SE
122	7.94	6.06	3.00	0.38 x 0.19	7.50	6.50	0.88	18.94	6.44	1.437	3.50
135	8.50	6.63	3.00	0.38 x 0.19	8.00	7.13	0.88	20.00	7.13	1.437	3.50
150	9.06	7.19	3.50	0.38 x 0.19	9.50	8.00	0.88	22.56	7.88	1.687	4.00
165	9.69	7.81	3.50	0.38 x 0.19	9.50	8.75	0.88	23.19	8.69	1.687	4.00
182	10.31	8.44	4.50	0.38 x 0.19	10.50	9.63	0.88	25.81	9.63	1.687	5.00
200	11.00	9.13	4.50	0.50 x 0.25	11.50	10.63	0.88	27.50	10.56	1.937	5.00
222	12.38	10.25	5.00	0.50 x 0.25	13.75	11.50	1.13	31.38	11.75	1.937	5.50
245	13.31	11.19	6.00	0.50 x 0.25	15.25	12.63	1.13	34.81	12.94	2.187	6.50
270	14.31	12.19	6.00	0.50 x 0.25	17.25	13.88	1.13	37.81	14.25	2.187	6.50
300	16.00	13.63	7.00	0.63 x 0.31	19.00	15.63	1.38	42.25	15.81	2.437	7.75
330	17.13	14.75	7.00	0.63 x 0.31	21.00	17.13	1.38	45.38	17.50	2.687	7.75

AC9244D

DIMENSIONS NOT TO BE USED FOR CONSTRUCTION. CERTIFIED DRAWINGS AVAILABLE UPON REQUEST.



Arrangement 1, SWSI, Non-Rotatable Class III



Notes:

1. Discharge angles are included on all discharges.
2. "CW" rotation is shown. "CCW" rotation is similar but opposite.
3. For fans with inlet box at 90 degrees or 270 degrees, use "BAU" discharge dimension "DF" for centerline height.

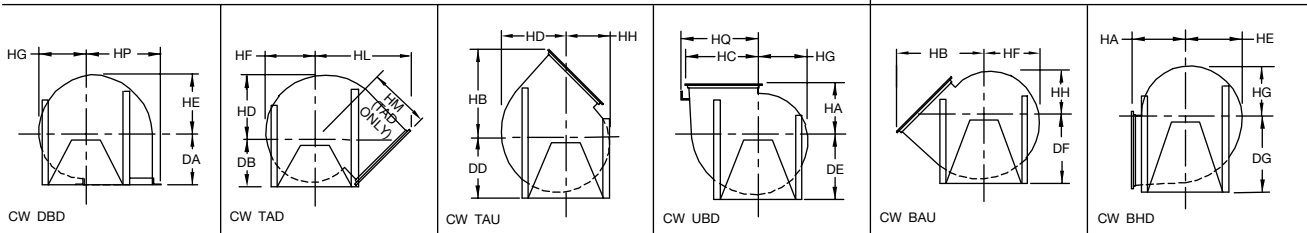
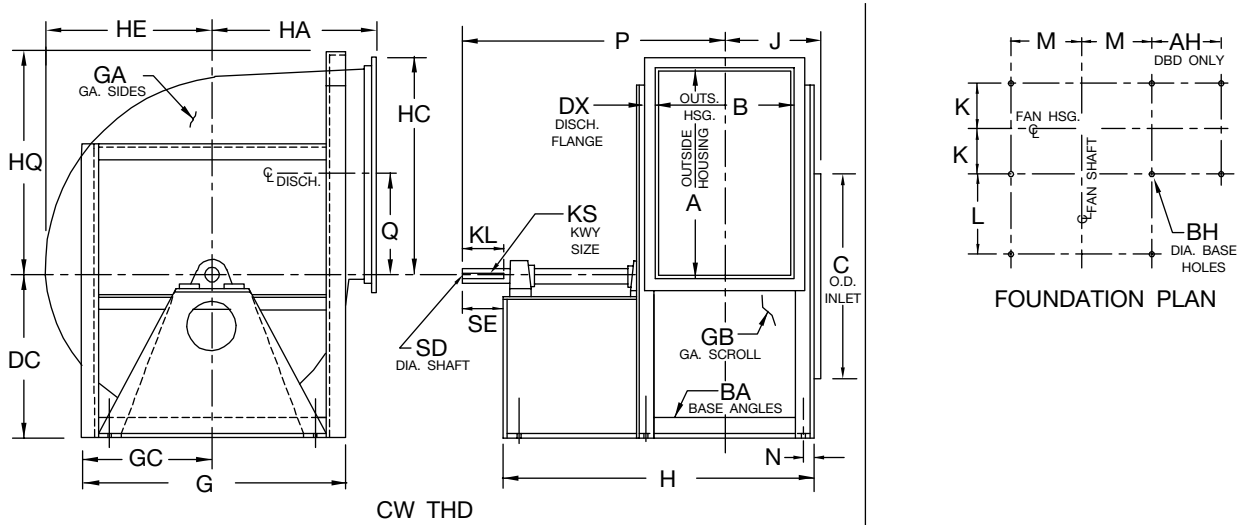
SIZE	A	AH	B	BA	BH	C	DA (Note 3)	DB (Note 3)	DC (Note 3)	DD (Note 3)	DE (Note 3)	DF	DG	DX
365	38.88	21.69	29.00	3.00 x 3.00	0.81	38.50	29.00	29.25	29.50	31.50	33.50	35.50	41.50	1.50 x 1.50
402	42.81	24.38	31.94	3.00 x 4.00	0.81	42.44	32.00	31.75	33.00	35.25	37.00	39.50	45.50	2.00 x 2.00
445	47.31	26.88	35.31	3.00 x 4.00	0.81	46.88	35.38	36.25	35.50	38.50	40.00	43.25	50.00	2.00 x 2.00
490	52.13	29.19	38.75	3.00 x 4.00	0.81	51.63	39.00	38.75	39.00	42.25	44.00	47.50	54.75	2.00 x 2.00
542	57.56	32.88	43.00	3.50 x 5.00	0.81	57.13	43.06	42.25	43.50	46.50	49.00	52.25	60.75	2.50 x 2.50
600	63.69	36.00	47.44	3.50 x 5.00	0.81	63.13	47.69	45.00	48.00	51.25	54.00	57.50	66.75	2.50 x 2.50
660	69.88	40.19	52.31	4.00 x 6.00	0.81	69.38	52.44	49.50	52.50	55.75	59.00	63.00	73.75	2.50 x 2.50
730	77.38	43.69	57.69	4.00 x 6.00	0.81	76.75	58.00	54.25	57.00	61.75	64.50	69.50	81.25	2.50 x 2.50
807	85.56	48.13	63.75	4.00 x 6.00	0.81	84.88	64.19	59.50	63.00	67.50	72.00	76.50	89.50	2.50 x 2.50
890	94.25	51.31	70.13	4.00 x 6.00	0.81	93.38	70.00	65.50	69.25	73.75	78.25	85.00	98.25	2.50 x 2.50

SIZE	G	GA	GB	GC	H	HA	HB	HC	HD	HE	HF	HG	HH	HL	HM	HP
365	49.00	7	7	24.50	58.00	29.00	48.94	40.19	33.63	31.56	29.69	27.81	25.94	55.13	37.75	41.69
402	52.50	7	7	26.25	64.00	32.00	54.19	44.63	37.06	34.75	32.69	30.63	28.56	60.38	40.75	46.63
445	56.50	7	7	28.25	70.38	35.38	59.75	49.13	41.00	38.31	36.06	33.81	31.56	66.56	44.94	51.13
490	61.50	7	7	30.75	75.75	39.00	65.69	53.94	44.94	42.25	39.75	37.25	34.75	72.44	48.50	55.94
542	67.00	7	7	33.50	82.00	43.06	72.81	59.88	49.88	46.75	44.00	41.25	38.50	79.75	52.88	62.38
600	74.00	7	7	37.00	89.50	47.69	80.38	66.00	55.06	51.75	48.69	45.63	42.56	87.56	57.81	68.50
660	80.00	7	7	40.00	98.38	52.44	88.13	72.19	60.50	56.88	53.44	50.00	46.56	94.94	62.06	75.69
730	88.00	7	7	44.00	106.75	58.00	97.38	79.69	67.00	62.94	59.19	55.44	51.69	104.25	67.75	83.19
807	96.50	7	7	48.25	115.75	64.19	107.50	87.88	74.13	69.56	65.44	61.31	57.19	114.31	73.75	91.38
890	107.50	7	7	53.75	125.13	70.00	117.75	96.56	81.63	76.69	72.13	67.56	63.00	125.94	81.50	100.06

AC9245E

DIMENSIONS NOT TO BE USED FOR CONSTRUCTION. CERTIFIED DRAWINGS AVAILABLE UPON REQUEST.

Arrangement 1, SWSI, Non-Rotatable Class III (cont'd.)



Notes:

1. Discharge angles are included on all discharges.
2. "CW" rotation is shown. "CCW" rotation is similar but opposite.
3. For fans with inlet box at 90 degrees or 270 degrees, use "BAU" discharge dimension "DF" for centerline height.

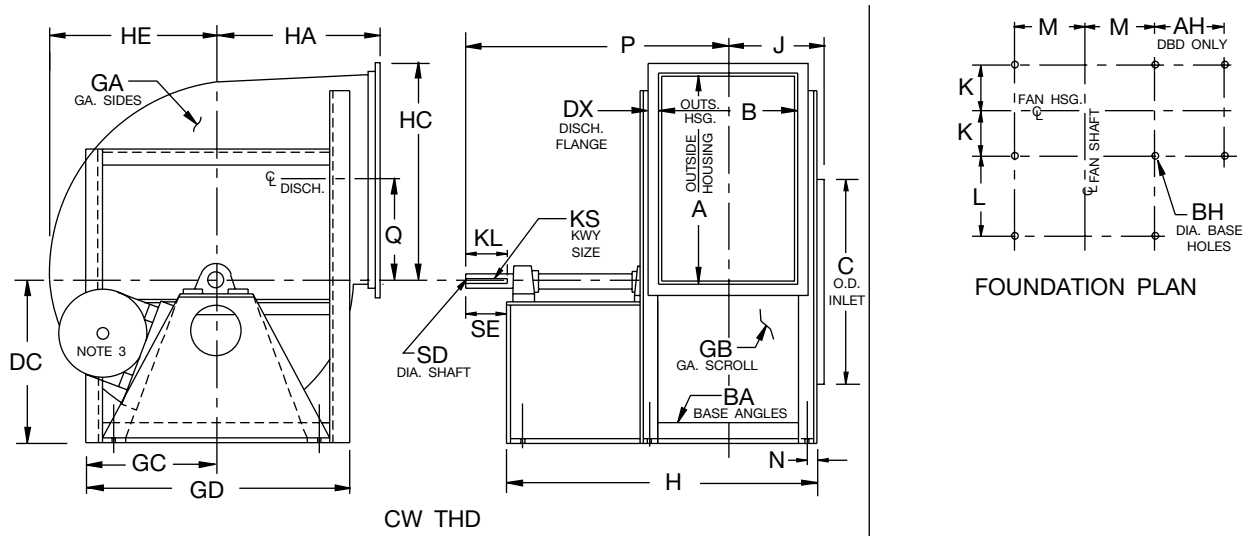
SIZE	HQ	J	K	KL	KS	L	M	N	P	Q	SD	SE
365		18.50	16.13	7.00	0.63 x 0.31	22.50	18.63	1.38	48.25	19.25	2.687	7.75
402		21.00	18.13	8.00	0.75 x 0.38	24.00	20.38	1.88	52.75	21.25	2.937	8.75
445		22.69	19.81	8.00	0.88 x 0.44	27.00	22.38	1.88	57.69	23.50	3.437	9.00
490		24.38	21.50	9.00	0.88 x 0.44	29.00	24.88	1.88	62.38	25.88	3.437	10.00
542	59.75	27.50	24.13	9.00	1.00 x 0.50	29.50	27.13	2.38	65.50	28.63	3.937	10.00
600	66.25	29.75	26.38	9.50	1.00 x 0.50	32.50	30.13	2.38	71.25	31.69	4.437	10.50
660	72.38	33.19	29.31	10.00	1.00 x 0.50	35.00	32.63	2.88	77.19	34.75	4.437	11.00
730	79.75	35.88	32.00	10.50	1.25 x 0.63	38.00	36.63	2.88	83.38	38.50	4.937	11.50
807	88.38	38.88	35.00	10.50	1.25 x 0.63	41.00	40.63	2.88	89.38	42.63	4.937	11.50
890	97.00	42.06	38.19	11.00	1.25 x 0.63	44.00	45.88	2.88	96.06	46.94	5.437	12.00

AC9245E

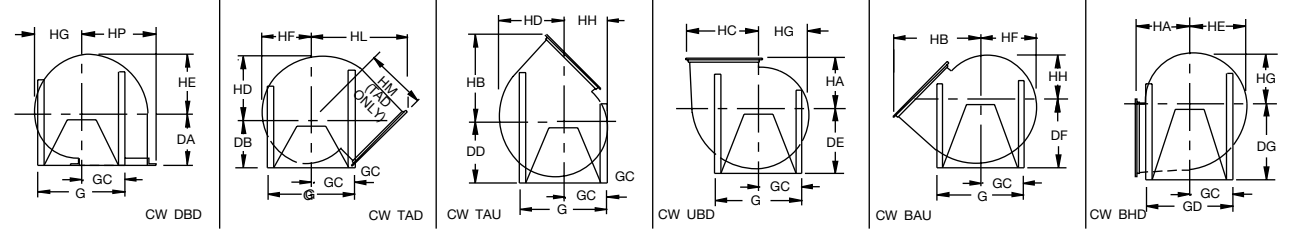
DIMENSIONS NOT TO BE USED FOR CONSTRUCTION. CERTIFIED DRAWINGS AVAILABLE UPON REQUEST.



**Arrangement 9, SWSI, Non-Rotatable
Class III**



FOUNDATION PLAN



Notes:

1. Discharge angles are included on all discharges.
2. "CW" rotation is shown. "CCW" rotation is similar but opposite.
3. Standard Arr. 9 motor location is on the left for "CW" rotation units and on the right for "CCW" rotation. Dimension "FR" equals max. motor frame.

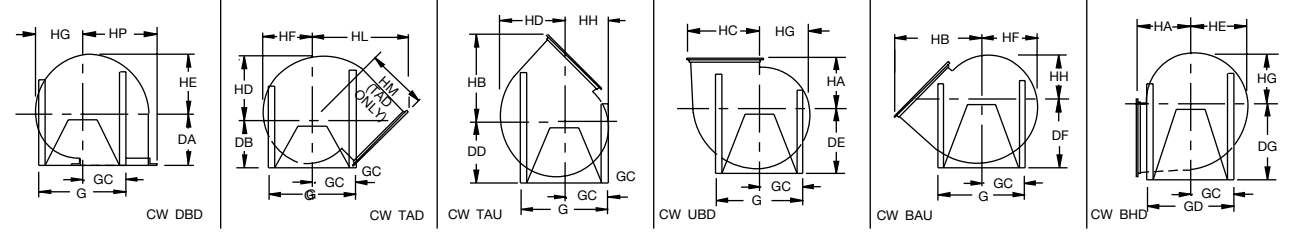
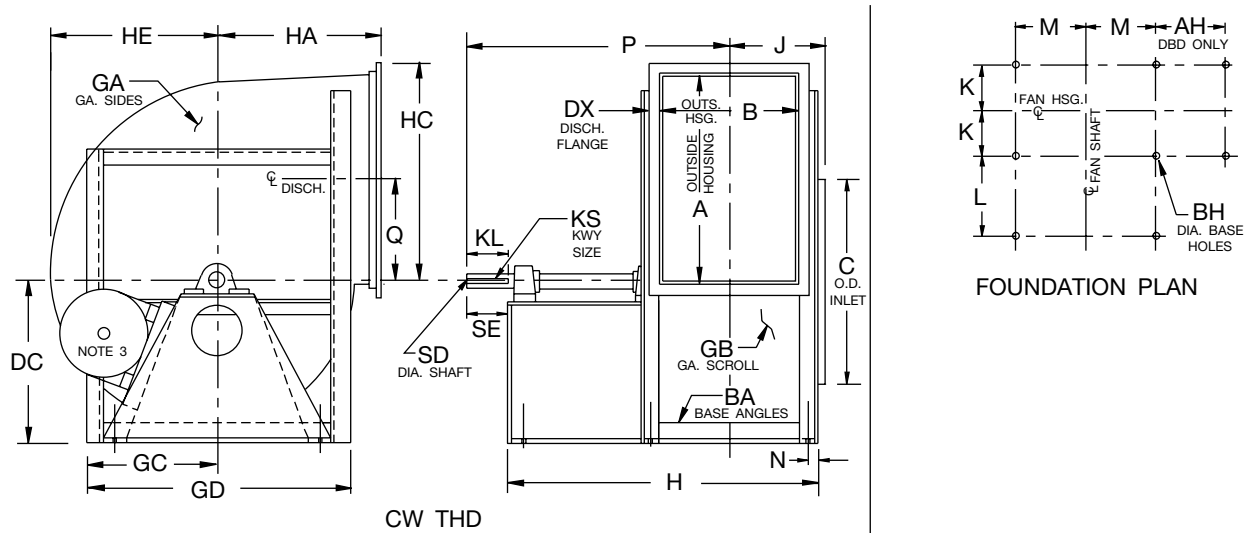
SIZE	A	AH	B	BA	BH	C	DA (Note 3)	DB (Note 3)	DC (Note 3)	DD (Note 3)	DE (Note 3)	DF	DG	DX	FR
122	13.13	7.63	9.88	1.50 x 2.00	0.44	13.25	20.75	20.75	20.75	20.75	20.75	20.75	20.75	1.25	215T
135	14.44	8.31	10.94	1.50 x 2.00	0.44	14.56	23.50	23.50	23.50	23.50	23.50	23.50	23.50	1.25	256T
150	16.00	9.00	12.06	1.50 x 2.00	0.44	16.19	23.75	23.75	23.75	23.75	23.75	23.75	23.75	1.25	256T
165	17.56	9.81	13.31	1.50 x 2.00	0.44	17.75	23.75	23.75	23.75	23.75	23.75	23.75	23.75	1.25	256T
182	19.50	10.88	14.63	2.00 x 2.00	0.56	19.50	26.25	26.25	26.25	26.25	26.25	26.25	26.25	1.25	286T
200	21.31	11.69	16.00	2.00 x 2.00	0.56	21.38	29.50	29.50	29.50	29.50	29.50	29.50	29.50	1.25	326T
222	23.69	13.44	17.75	2.50 x 2.50	0.56	23.75	30.00	30.00	30.00	30.00	30.00	30.00	30.00	1.25	326T
245	26.19	14.63	19.63	2.50 x 2.50	0.56	26.06	30.25	30.25	30.25	30.25	30.25	30.25	30.25	1.50	326T
270	28.88	16.19	21.56	2.50 x 2.50	0.56	28.50	33.00	33.00	33.00	33.00	33.00	33.00	33.00	1.50	365T
300	32.00	17.81	23.94	3.00 x 3.00	0.81	31.63	33.50	33.50	33.50	33.50	33.50	33.50	34.75	1.50	365T
330	35.31	19.63	26.19	3.00 x 3.00	0.81	34.75	34.00	34.00	34.00	34.00	34.00	34.00	37.75	1.50	365T

SIZE	G	GA	GB	GC	GD	H	HA	HB	HC	HD	HE	HF	HG	HH	HL	HM
122	19.75	10	10	9.88	18.63	32.25	9.75	17.00	14.25	11.25	10.63	10.00	9.38	8.75	22.94	18.19
135	21.00	10	10	10.50	19.88	38.75	10.75	18.63	15.56	12.38	11.69	11.00	10.31	9.63	24.50	19.06
150	22.75	10	10	11.38	21.63	39.88	11.94	20.56	17.13	13.81	12.94	12.19	11.44	10.69	26.50	20.31
165	24.25	10	10	12.13	23.13	41.13	13.13	22.50	18.69	15.13	14.19	13.38	12.56	11.75	28.31	21.38
182	27.00	10	10	13.50	27.00	44.63	14.50	24.81	20.63	16.75	15.75	14.81	13.88	12.94	31.06	23.31
200	29.00	10	10	14.50	29.00	47.50	15.81	27.06	22.44	18.38	17.38	16.31	15.25	14.19	33.31	24.69
222	32.25	10	10	16.13	32.25	50.25	17.69	30.06	24.81	20.50	19.13	18.00	16.88	15.75	36.69	27.06
245	34.50	7	7	17.25	34.50	52.13	19.50	33.25	27.50	22.50	21.13	19.88	18.63	17.38	38.88	27.50
270	37.00	7	7	18.50	37.00	55.25	21.44	36.50	30.19	24.81	23.31	21.94	20.56	19.19	42.06	29.25
300	42.00	7	7	21.00	42.00	58.63	23.81	40.38	33.31	27.50	25.81	24.31	22.81	21.13	46.75	32.81
330	45.00	7	7	22.50	45.00	60.88	26.25	44.44	36.63	30.19	28.44	26.75	25.06	23.38	50.63	34.94

AC9128E

DIMENSIONS NOT TO BE USED FOR CONSTRUCTION. CERTIFIED DRAWINGS AVAILABLE UPON REQUEST.

Arrangement 9, SWSI, Non-Rotatable Class III (cont'd.)



Notes:

1. Discharge angles are included on all discharges.
2. "CW" rotation is shown. "CCW" rotation is similar but opposite.
3. Standard Arr. 9 motor location is on the left for "CW" rotation units and on the right for "CCW" rotation. Dimension "FR" equals max. motor frame.

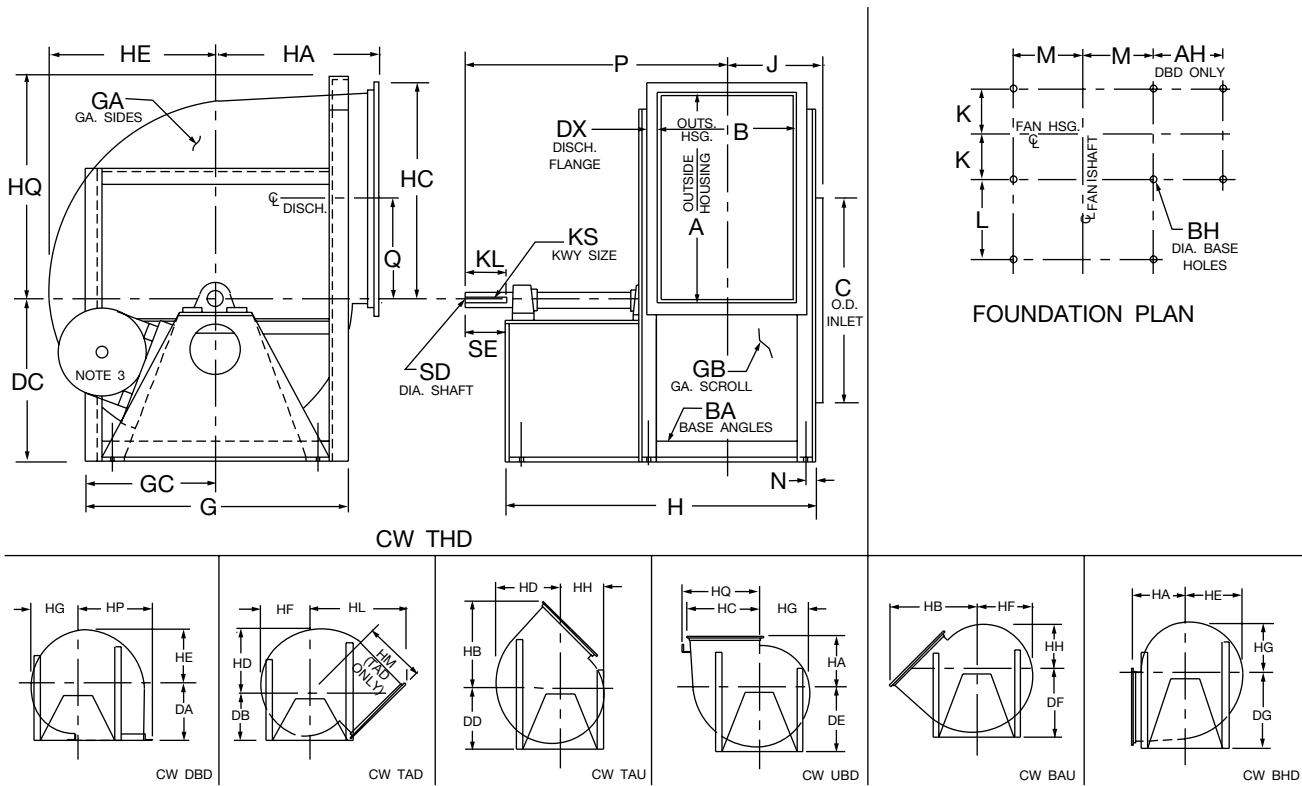
SIZE	HP	J	K	KL	KS	L	M	N	P	Q	SD	SE
122	15.00	7.94	6.06	3.50	0.38 x 0.19	17.38	6.50	0.88	29.31	6.44	1.4375	4.00
135	16.31	8.50	6.63	4.25	0.38 x 0.19	22.75	7.13	0.88	36.00	7.13	1.4375	4.75
150	17.88	9.06	7.19	4.25	0.38 x 0.19	22.75	8.00	0.88	36.56	7.88	1.6875	4.75
165	19.44	9.69	7.81	4.25	0.38 x 0.19	22.75	8.75	0.88	37.19	8.69	1.6875	4.75
182	21.38	10.31	8.44	5.00	0.38 x 0.19	25.00	9.63	0.88	40.81	9.63	1.6875	5.50
200	23.19	11.00	9.13	6.00	0.50 x 0.25	26.50	10.63	0.88	44.25	10.56	1.9375	6.75
222	26.06	12.38	10.25	6.00	0.50 x 0.25	26.75	11.50	1.13	45.63	11.75	1.9375	6.75
245	28.50	13.31	11.19	6.00	0.50 x 0.25	26.75	12.63	1.13	46.56	12.94	2.1875	6.75
270	31.19	14.31	12.19	7.00	0.50 x 0.25	27.88	13.88	1.13	49.69	14.25	2.1875	7.75
300	34.81	16.00	13.63	6.75	0.63 x 0.31	28.13	15.63	1.38	51.38	15.81	2.4375	7.75
330	38.13	17.13	14.75	6.75	0.63 x 0.31	28.13	17.13	1.38	52.50	17.50	2.6875	7.75

AC9128E

DIMENSIONS NOT TO BE USED FOR CONSTRUCTION. CERTIFIED DRAWINGS AVAILABLE UPON REQUEST.



Arrangement 9, SWSI, Non-Rotatable Class III



Notes:

1. Discharge angles are included on all discharges.
2. "CW" rotation is shown. "CCW" rotation is similar but opposite.
3. Standard Arr. 9 motor location is on the left for "CW rotation units and on the right for "CCW" rotation. Dimension "FR" equals max. motor frame.

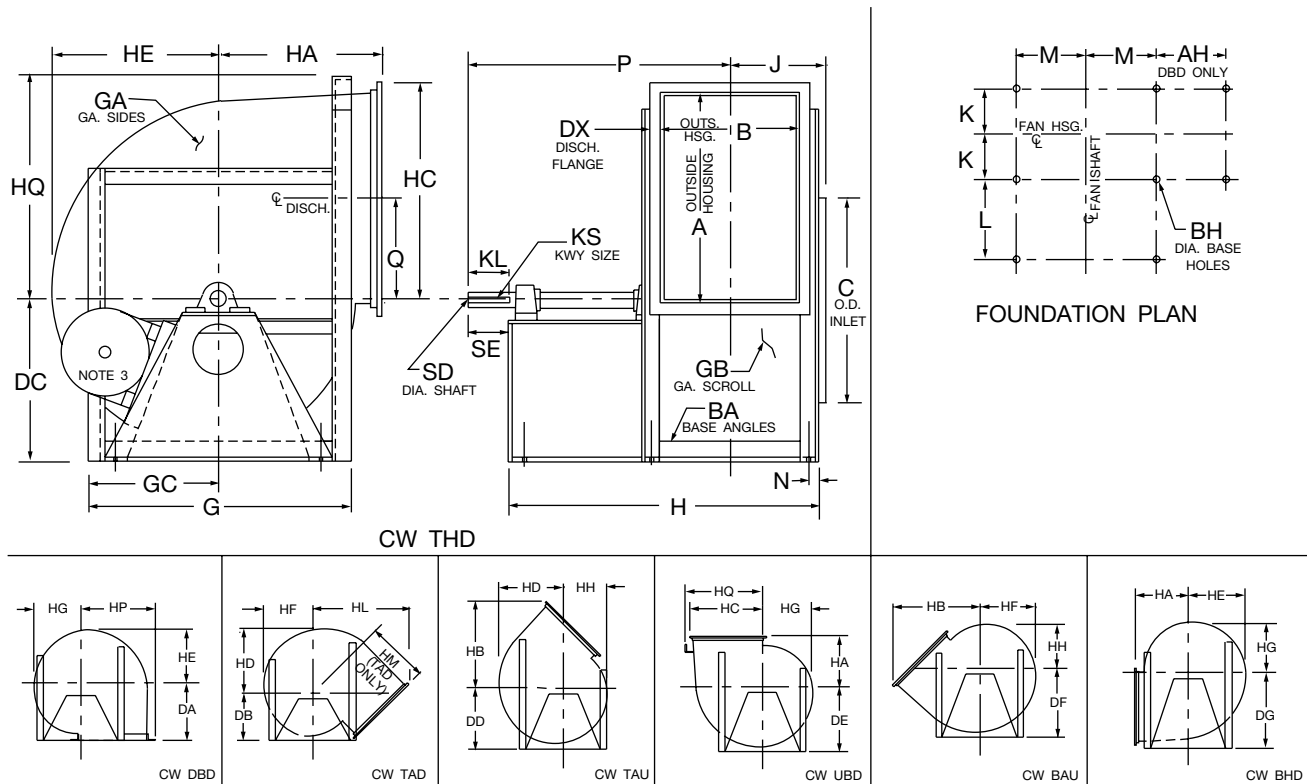
SIZE	A	AH	B	BA	BH	C	DA (Note 3)	DB (Note 3)	DC (Note 3)	DD (Note 3)	DE (Note 3)	DF	DG	DX	FR
365	38.88	21.69	29.00	3.00 x 3.00	0.81	38.50	37.50	37.50	37.50	37.50	37.50	37.50	41.50	1.50	405T
402	42.81	24.38	31.94	3.00 x 4.00	0.81	42.44	40.25	40.25	40.25	40.25	40.25	40.25	45.50	2.00	405T
445	47.31	26.88	35.31	3.00 x 4.00	0.81	46.88	41.00	41.00	41.00	41.00	41.00	43.25	50.00	2.00	405T
490	52.13	29.19	38.75	3.00 x 4.00	0.81	51.63	41.00	41.00	41.00	42.25	44.00	47.50	54.75	2.00	405T
542	57.56	32.88	43.00	3.50 x 5.00	0.81	57.13	43.06	42.25	43.50	46.50	49.00	52.25	60.75	2.50	405T
600	63.69	36.00	47.44	3.50 x 5.00	0.81	63.13	47.69	45.00	48.00	51.25	54.00	57.50	66.75	2.50	405T
660	69.88	40.19	52.31	4.00 x 6.00	0.81	69.38	52.44	49.50	52.50	55.75	59.00	63.00	73.75	2.50	405T
730	77.38	43.69	57.69	4.00 x 6.00	0.81	76.75	58.00	54.25	57.00	61.75	64.50	69.50	81.25	2.50	405T
807	85.56	48.13	63.75	4.00 x 6.00	0.81	84.88	64.19	59.50	63.00	67.50	72.00	76.50	89.50	2.50	405T
890	94.25	51.31	70.13	4.00 x 6.00	0.81	93.38	70.00	65.50	69.25	73.75	78.25	85.00	98.25	2.50	405T

SIZE	G	GA	GB	GC	H	HA	HB	HC	HD	HE	HF	HG	HH	HL	HM	HP
365	49.00	7	7	24.50	70.38	29.00	48.94	40.19	33.63	31.56	29.69	27.81	25.94	55.13	37.75	41.69
402	52.50	7	7	26.25	81.13	32.00	54.19	44.63	37.06	34.75	32.69	30.63	28.56	60.38	40.75	46.63
445	56.50	7	7	28.25	84.50	35.38	59.75	49.13	41.00	38.31	36.06	33.81	31.56	66.56	44.94	51.13
490	61.50	7	7	30.75	87.88	39.00	65.69	53.94	44.94	42.25	39.75	37.25	34.75	72.44	48.50	55.94
542	67.00	7	7	33.50	93.75	43.06	72.81	59.88	49.88	46.75	44.00	41.25	38.50	79.75	52.88	62.38
600	74.00	7	7	37.00	98.25	47.69	80.38	66.00	55.06	51.75	48.69	45.63	42.56	87.56	57.81	68.50
660	80.00	7	7	40.00	105.13	52.44	88.13	72.19	60.50	56.88	53.44	50.00	46.56	94.94	62.06	75.69
730	88.00	7	7	44.00	110.50	58.00	97.38	79.69	67.00	62.94	59.19	55.44	51.69	104.25	67.75	83.19
807	96.50	7	7	48.25	116.50	64.19	107.50	87.88	74.13	69.56	65.44	61.31	57.19	114.31	73.75	91.38
890	107.50	7	7	53.75	122.88	70.00	117.75	96.56	81.63	76.69	72.13	67.56	63.00	125.94	81.50	100.06

AC9129D

DIMENSIONS NOT TO BE USED FOR CONSTRUCTION. CERTIFIED DRAWINGS AVAILABLE UPON REQUEST.

Arrangement 9, SWSI, Non-Rotatable Class III (cont'd.)



Notes:

1. Discharge angles are included on all discharges.
2. "CW" rotation is shown. "CCW" rotation is similar but opposite.
3. Standard Arr. 9 motor location is on the left for "CW" rotation units and on the right for "CCW" rotation. Dimension "FR" equals max. motor frame.

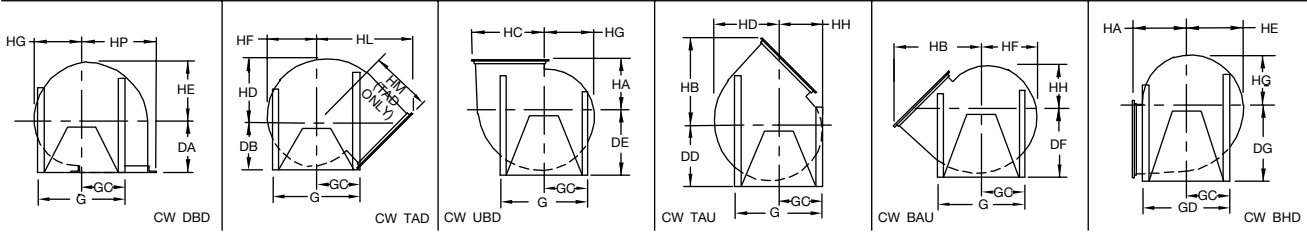
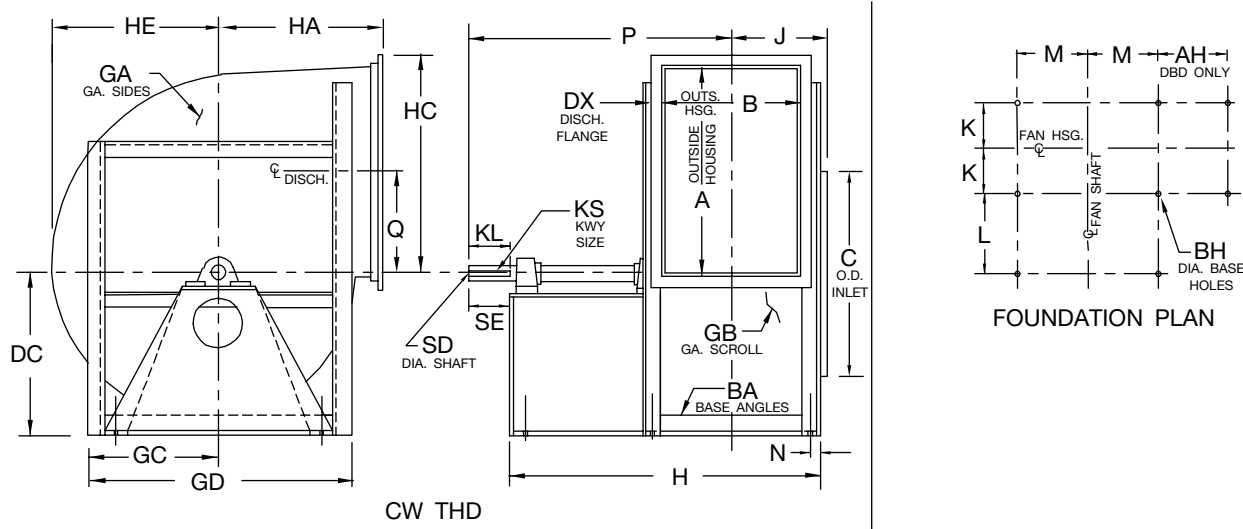
SIZE	HQ	J	K	KL	KS	L	M	N	P	Q	SD	SE
365		18.50	16.13	8.00	0.63 x 0.31	34.88	18.63	1.38	61.88	19.25	2.687	9.00
402		21.00	18.13	8.75	0.75 x 0.38	41.13	20.38	1.88	71.13	21.25	2.937	10.00
445		22.69	19.81	8.75	0.88 x 0.44	41.13	22.38	1.88	72.81	23.50	3.437	10.00
490		24.38	21.50	8.75	0.88 x 0.44	41.13	24.88	1.88	74.50	25.88	3.437	10.00
542	59.75	27.50	24.13	9.00	1.00 x 0.50	41.25	27.13	2.38	77.75	28.63	3.937	10.50
600	66.25	29.75	26.38	9.00	1.00 x 0.50	41.25	30.13	2.38	80.00	31.69	4.437	10.50
660	72.38	33.19	29.31	9.00	1.00 x 0.50	41.75	32.63	2.88	83.44	34.75	4.437	10.50
730	79.75	35.88	32.00	9.00	1.25 x 0.63	41.75	36.63	2.88	86.13	38.50	4.937	10.50
807	88.38	38.88	35.00	9.00	1.25 x 0.63	41.75	40.38	2.88	89.13	42.63	4.937	10.50
890	97.00	42.06	38.19	9.00	1.25 x 0.63	41.75	45.88	2.88	92.31	46.94	5.437	10.50

AC9129D

DIMENSIONS NOT TO BE USED FOR CONSTRUCTION. CERTIFIED DRAWINGS AVAILABLE UPON REQUEST.



Arrangement 1, SWSI, Non-Rotatable Class IV (cont'd.)



Notes:

1. Discharge angles are included on all discharges.
2. "CW" rotation is shown. "CCW" rotation is similar but opposite.
3. For fans size 122-330 with inlet box at 90 degrees or 270 degrees, use "BAU" discharge dimension "DF" for centerline height.

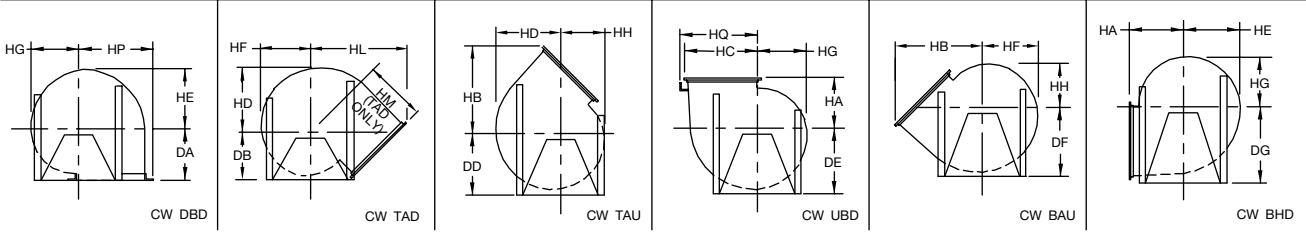
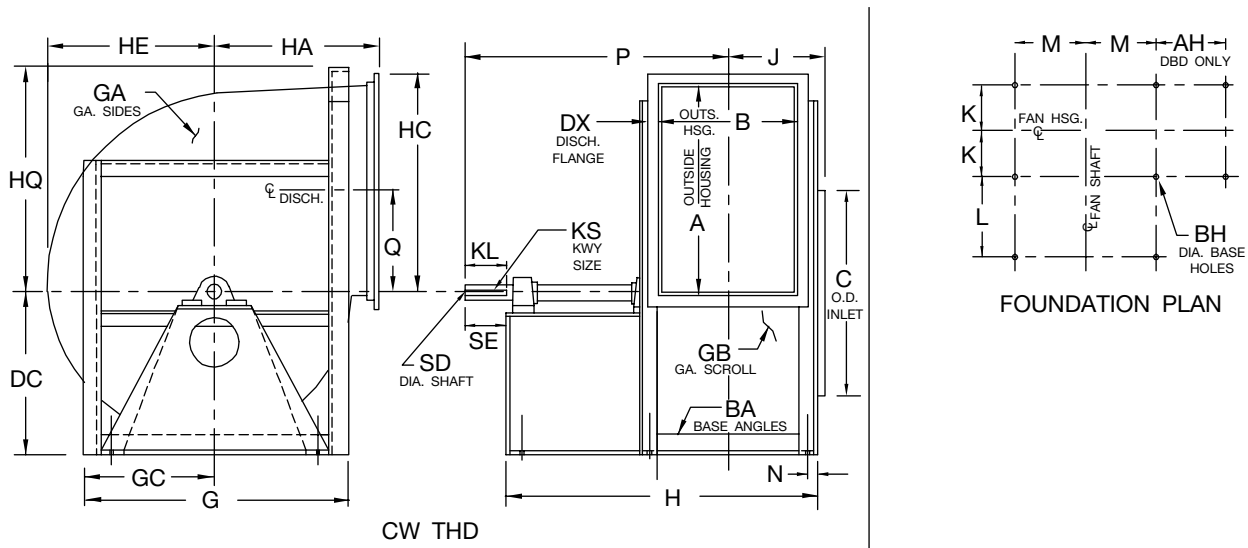
SIZE	J	K	KL	KS	L	M	N	P	Q	SD	SE
122	8.50	6.38	4.50	0.38 x 0.19	7.75	6.25	1.13	21.00	6.44	1.687	5.00
135	9.06	6.94	5.00	0.38 x 0.19	8.25	6.88	1.13	22.56	7.13	1.687	5.50
150	9.63	7.50	5.00	0.38 x 0.19	9.75	7.75	1.13	24.63	7.88	1.687	5.50
165	10.25	8.13	5.00	0.50 x 0.25	9.75	8.50	1.13	25.25	8.69	1.937	5.50
182	11.38	9.00	5.50	0.50 x 0.25	11.00	9.13	1.38	27.88	9.63	1.937	6.00
200	12.06	9.69	6.00	0.50 x 0.25	12.00	10.13	1.38	30.06	10.56	2.187	6.50
222	12.94	10.56	6.00	0.50 x 0.25	14.00	11.25	1.38	32.94	11.75	2.187	6.50
245	13.81	11.44	6.50	0.63 x 0.31	15.50	12.38	1.38	36.06	12.94	2.437	7.25
270	14.81	12.44	7.50	0.63 x 0.31	17.50	13.63	1.38	40.06	14.25	2.437	8.25
300	17.00	14.13	8.00	0.63 x 0.31	19.50	15.13	1.88	44.25	15.81	2.687	8.75
330	18.19	15.31	9.00	0.75 x 0.38	21.50	16.63	1.88	48.44	17.50	2.937	9.75

AC9249F

DIMENSIONS NOT TO BE USED FOR CONSTRUCTION. CERTIFIED DRAWINGS AVAILABLE UPON REQUEST.



Arrangement 1, SWSI, Non-Rotatable Class IV



Notes:

1. Discharge angles are included on all discharges.
2. "CW" rotation is shown. "CCW" rotation is similar but opposite.
3. For fans with inlet box at 90 degrees or 270 degrees, use "BAU" discharge dimension "DF" for centerline height.

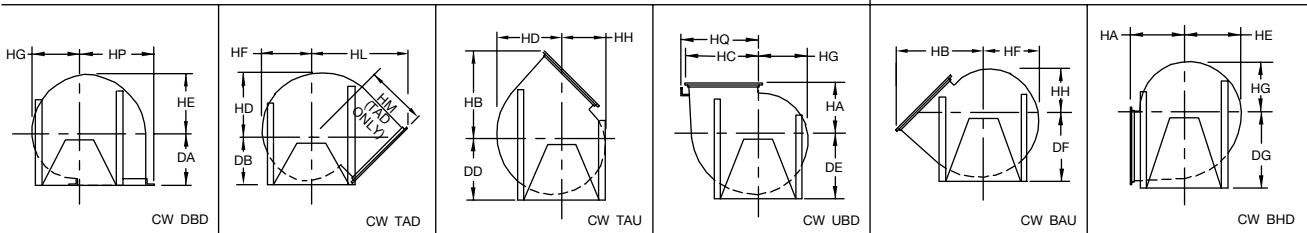
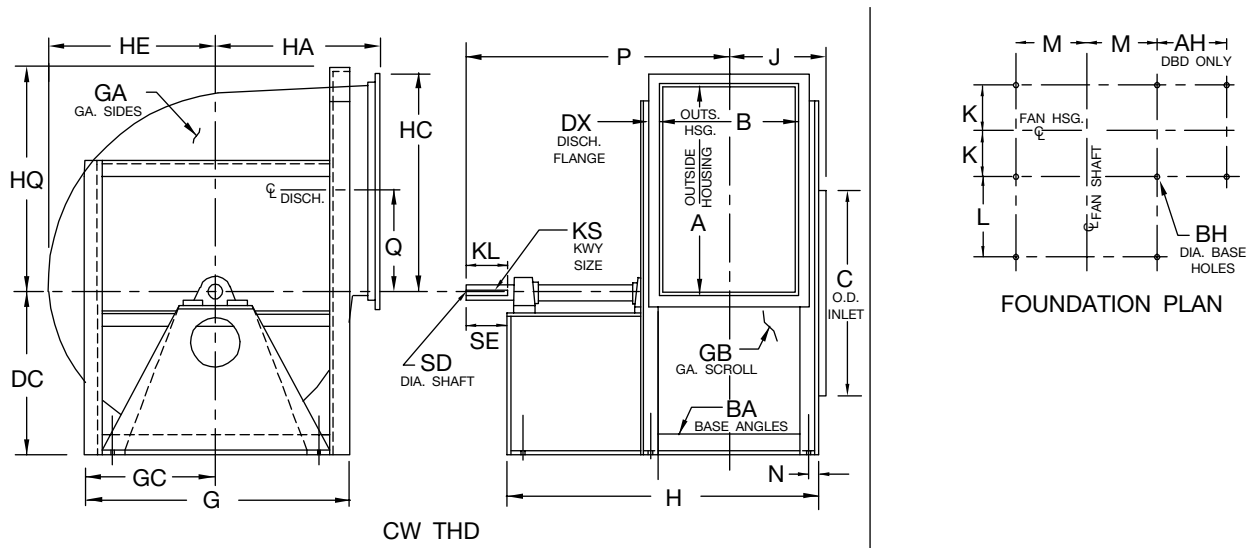
SIZE	A	AH	B	BA	BH	C	DA (Note 3)	DB (Note 3)	DC (Note 3)	DD (Note 3)	DE (Note 3)	DF	DG	DX	G
365	39.00	22.25	29.13	3.00 x 4.00	0.81	38.50	29.00	29.25	29.50	31.50	33.50	35.50	41.50	2.00	49.00
402	42.94	25.44	32.06	3.50 x 5.00	0.81	42.44	32.00	31.75	33.00	35.25	37.00	39.50	46.00	2.00	52.50
445	47.44	28.94	35.44	4.00 x 6.00	0.81	46.88	35.38	36.25	35.50	38.50	40.00	43.25	50.50	2.00	57.50
490	52.25	31.25	38.88	4.00 x 6.00	0.81	51.63	39.00	38.75	39.00	42.25	44.00	47.50	55.75	2.00	62.50
542	57.69	33.94	43.13	4.00 x 6.00	0.81	57.13	43.06	42.25	43.50	46.50	49.00	52.25	61.25	2.50	68.00
600	63.81	37.06	47.56	4.00 x 6.00	0.81	63.13	47.69	45.00	48.00	51.25	54.00	57.50	67.25	2.50	74.00
660	70.00	40.25	52.44	4.00 x 6.00	0.81	69.38	52.44	49.50	52.50	55.75	59.00	63.00	73.75	2.50	81.00
730	77.50	43.75	57.81	4.00 x 6.00	0.81	76.75	58.00	54.25	57.00	61.75	64.50	69.50	81.25	2.50	89.00
807	85.69	48.19	63.88	4.00 x 6.00	0.81	84.88	64.19	59.50	63.00	67.50	72.00	76.50	89.50	2.50	96.50
890	94.38	51.38	70.25	4.00 x 6.00	0.81	93.38	70.00	65.50	69.25	73.75	78.25	85.00	98.25	2.50	107.50

SIZE	GA	GB	GC	H	HA	HB	HC	HD	HE	HF	HG	HH	HL	HM	HP	HQ
365	0.25	0.25	24.50	60.13	29.00	49.31	40.75	33.69	31.63	29.75	27.88	26.00	55.88	38.31	42.75	
402	0.25	0.25	26.25	66.13	32.00	54.25	44.69	37.13	34.81	32.75	30.69	28.63	60.44	40.69	47.69	
445	0.25	0.25	28.75	74.50	35.38	59.81	49.19	41.06	38.38	36.13	33.88	31.63	67.13	45.75	53.19	
490	0.25	0.25	31.25	79.88	39.00	65.75	54.00	45.00	42.31	39.81	37.31	34.81	73.00	49.25	58.00	
542	0.25	0.25	34.00	84.13	43.06	72.81	59.94	49.94	46.81	44.06	41.31	38.56	80.31	53.69	63.44	60.38
600	0.25	0.25	37.00	91.63	47.69	80.44	66.06	55.13	51.81	48.75	45.69	42.63	87.69	58.25	69.56	66.38
660	0.25	0.25	40.50	98.50	52.44	88.19	72.25	60.56	56.94	53.50	50.06	46.63	95.50	62.88	75.75	73.00
730	0.25	0.25	44.50	106.88	58.00	97.38	79.75	67.06	63.00	59.25	55.50	51.75	104.88	68.50	83.25	80.38
807	0.25	0.25	48.25	115.88	64.19	107.56	87.94	74.19	69.63	65.50	61.38	57.25	114.38	73.81	91.44	88.50
890	0.25	0.25	53.75	125.25	70.00	117.81	96.63	81.69	76.75	72.19	67.63	63.06	126.00	81.56	100.13	97.13

AC9250F

DIMENSIONS NOT TO BE USED FOR CONSTRUCTION. CERTIFIED DRAWINGS AVAILABLE UPON REQUEST.

Arrangement 1, SWSI, Non-Rotatable Class IV (cont'd.)



Notes:

1. Discharge angles are included on all discharges.
2. "CW" rotation is shown. "CCW" rotation is similar but opposite.
3. For fans with inlet box at 90 degrees or 270 degrees, use "BAU" discharge dimension "DF" for centerline height.

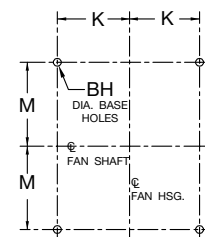
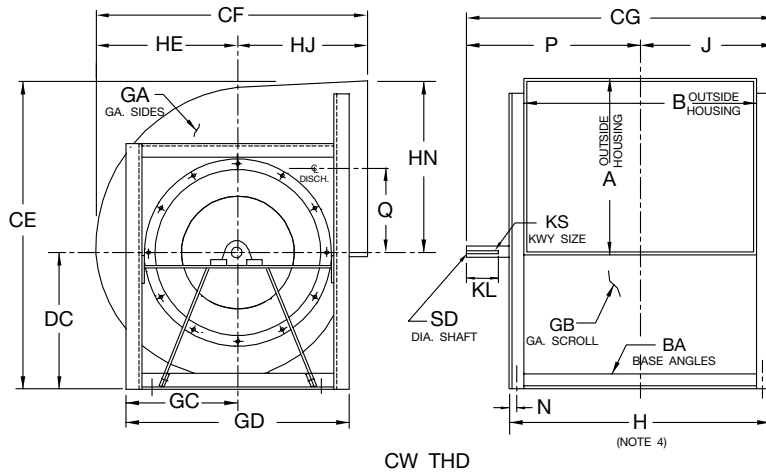
SIZE	J	K	KL	KS	L	M	N	P	Q	SD	SE
365	19.56	16.69	9.00	0.88 x 0.44	23.00	18.63	1.88	51.56	19.25	3.437	10.00
402	22.06	18.69	10.00	0.88 x 0.44	24.50	19.88	2.38	56.06	21.25	3.437	11.00
445	24.75	20.88	10.00	1.00 x 0.50	28.00	21.38	2.88	61.75	23.50	3.937	11.00
490	26.44	22.56	11.00	1.00 x 0.50	30.00	23.88	2.88	66.44	25.88	3.937	12.00
542	28.56	24.69	11.00	1.00 x 0.50	30.00	26.63	2.88	68.56	28.63	4.437	12.00
600	30.81	26.94	12.00	1.25 x 0.63	33.00	29.63	2.88	74.81	31.69	4.937	13.00
660	33.25	29.38	12.00	1.25 x 0.63	35.00	32.63	2.88	79.25	34.75	4.937	13.00
730	35.94	32.06	13.50	1.25 x 0.63	38.00	36.63	2.88	86.44	38.50	5.437	14.50
807	38.94	35.06	13.50	1.25 x 0.63	41.00	40.38	2.88	92.44	42.63	5.437	14.50
890	42.13	38.25	14.00	1.50 x 0.75	44.00	45.88	2.88	99.13	46.94	5.937	15.00

AC9250F

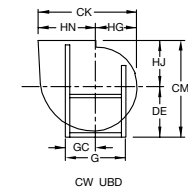
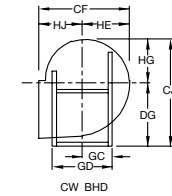
DIMENSIONS NOT TO BE USED FOR CONSTRUCTION. CERTIFIED DRAWINGS AVAILABLE UPON REQUEST.



Arrangement 3, DWDI, Non-Rotatable Class I & II



FOUNDATION PLAN



Notes:

1. Inlet bearing bar supports are removable.
2. "CW" rotation is shown. "CCW" rotation is similar but opposite.
3. For optional flanged outlet and downblast discharge see Dwg. AC14895.
4. Bearing bar supports may extend beyond base angles. See Dwg. AC1000648 for dimensions if space limitations are required for mounting fan.

SIZE	A	B	BA	BH	CE	CF	CG		CJ	CK	CM	DC	DE	DG
							CL I	CL II						
122	13.00	17.44	1.50 x 1.50	0.44	23.19	19.81	26.69	28.63	24.31	22.25	20.75	10.25	11.50	15.00
135	14.31	19.44	1.50 x 1.50	0.44	25.50	21.88	28.69	30.63	26.50	24.50	23.00	11.25	12.75	16.25
150	15.88	21.44	1.50 x 1.50	0.44	28.06	24.32	33.13	33.13	29.38	27.19	25.44	12.25	14.00	18.00
165	17.44	23.56	1.50 x 2.00	0.44	30.88	26.76	35.25	35.62	32.00	29.88	27.88	13.50	15.25	19.50
182	19.38	26.00	1.50 x 2.00	0.44	34.06	29.69	38.13	38.50	35.31	33.13	30.75	14.75	16.75	21.50
200	21.19	28.50	1.50 x 2.00	0.56	37.38	32.62	40.63	42.12	38.69	36.31	33.56	16.25	18.25	23.50
222	23.56	31.63	2.00 x 2.00	0.56	41.50	36.25	44.62	46.88	42.81	40.31	37.69	18.00	20.50	26.00
245	25.94	34.81	2.00 x 2.00	0.56	45.88	40.00	49.62	50.75	46.75	44.38	41.50	20.00	22.50	28.25
270	28.63	38.25	2.00 x 2.00	0.56	50.56	44.13	53.00	54.75	51.44	49.00	45.69	22.00	24.75	31.00

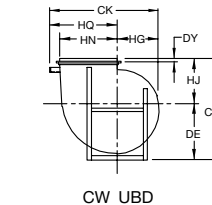
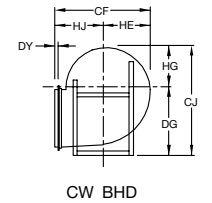
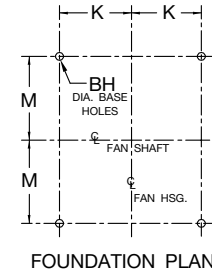
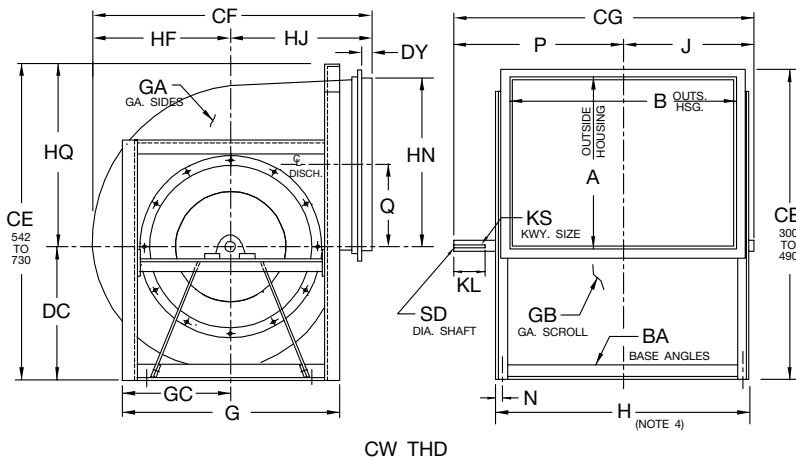
SIZE	G	GA	GB	GC	GD	H	HE	HG	HJ	HN	J		K	KL
											CL I	CL II		
122	19.75	14	14	9.88	18.50	20.50	10.56	9.31	9.25	12.94	11.44	12.38	9.63	3.00
135	21.00	14	14	10.50	19.75	22.50	11.63	10.25	10.25	14.25	12.44	13.38	10.63	3.00
150	22.75	14	14	11.38	21.50	24.50	12.88	11.38	11.44	15.81	14.38	14.38	11.63	3.50
165	24.25	14	14	12.13	24.25	27.63	14.13	12.50	12.63	17.38	15.44	15.56	12.94	3.50
182	26.00	12	14	13.00	26.00	30.00	15.69	13.81	14.00	19.31	16.63	16.75	14.13	4.00
200	28.00	12	14	14.00	28.00	32.50	17.31	15.19	15.31	21.13	17.78	18.56	15.38	4.00
222	31.25	12	14	15.63	31.25	35.63	19.06	16.81	17.19	23.50	19.56	20.63	16.94	4.50
245	33.50	12	14	16.75	33.50	38.88	21.00	18.50	19.00	25.88	21.81	22.31	18.56	5.00
270	36.00	12	14	18.00	36.00	42.25	23.19	20.44	20.94	28.56	23.50	24.31	20.25	5.00

SIZE	KS		M	N	P		Q	SD	
	CL I	CL II			CL I	CL II		CL I	CL II
122	0.25 x 0.13	0.38 x 0.19	6.75	0.63	15.25	16.25	6.44	1.187	1.437
135	0.25 x 0.13	0.38 x 0.19	7.38	0.63	16.25	17.25	7.13	1.187	1.687
150	0.38 x 0.19	0.38 x 0.19	8.25	0.63	18.75	18.75	7.88	1.437	1.687
165	0.38 x 0.19	0.50 x 0.25	8.75	0.88	19.81	20.06	8.69	1.437	1.937
182	0.38 x 0.19	0.50 x 0.25	9.63	0.88	21.50	21.75	9.63	1.687	1.937
200	0.38 x 0.19	0.50 x 0.25	10.63	0.88	22.75	23.56	10.56	1.687	2.187
222	0.50 x 0.25	0.63 x 0.31	11.75	0.88	25.06	26.25	11.75	1.937	2.437
245	0.50 x 0.25	0.63 x 0.31	12.88	0.88	27.81	28.44	12.94	2.187	2.437
270	0.50 x 0.25	0.63 x 0.31	14.13	0.88	29.50	30.44	14.25	2.187	2.687

AC14967D

DIMENSIONS NOT TO BE USED FOR CONSTRUCTION. CERTIFIED DRAWINGS AVAILABLE UPON REQUEST.

Arrangement 3, DWDI, Non-Rotatable Class I & II



Notes:

1. Inlet bearing bar supports are removable.
2. "CW" rotation is shown. "CCW" rotation is similar but opposite.
3. For optional flanged outlet connection and downblast discharge see Dwg. AC14896.
4. Bearing bar supports may extend beyond base angles. See Dwg. AC1000648 for dimensions if space limitations are required for mounting fan.

SIZE	A	B	BA	BH	CE	CF	CG		CJ	CK
							CL I	CL II		
300	31.81	42.69	2.50 x 2.50	0.56	57.75	49.06	59.13	59.13	57.00	56.00
330	35.13	46.69	2.50 x 2.50	0.56	63.56	54.13	63.13	63.13	62.25	61.56
365	38.69	51.81	2.50 x 2.50	0.56	69.63	60.00	68.88	68.88	68.75	67.88
402	42.63	57.19	3.00 x 3.00	0.81	77.06	66.19	74.13	74.75	76.06	74.62
445	47.13	63.13	3.00 x 3.00	0.81	84.06	73.13	80.00	80.37	83.75	82.31
490	51.94	69.44	3.00 x 3.00	0.81	92.88	80.69	88.00	90.57	91.94	91.07
542	57.38	76.94	3.00 x 4.00	0.81	103.25	89.25	94.75	95.69	101.44	100.94
600	63.50	85.00	3.00 x 4.00	0.81	113.75	98.88	107.07	108.63	111.81	111.31
660	69.69	93.69	3.50 x 5.00	0.81	124.75	108.75	115.81	117.44	123.19	122.19
730	77.25	103.38	3.50 x 5.00	0.81	136.75	120.38	128.00	128.00	136.13	135.13

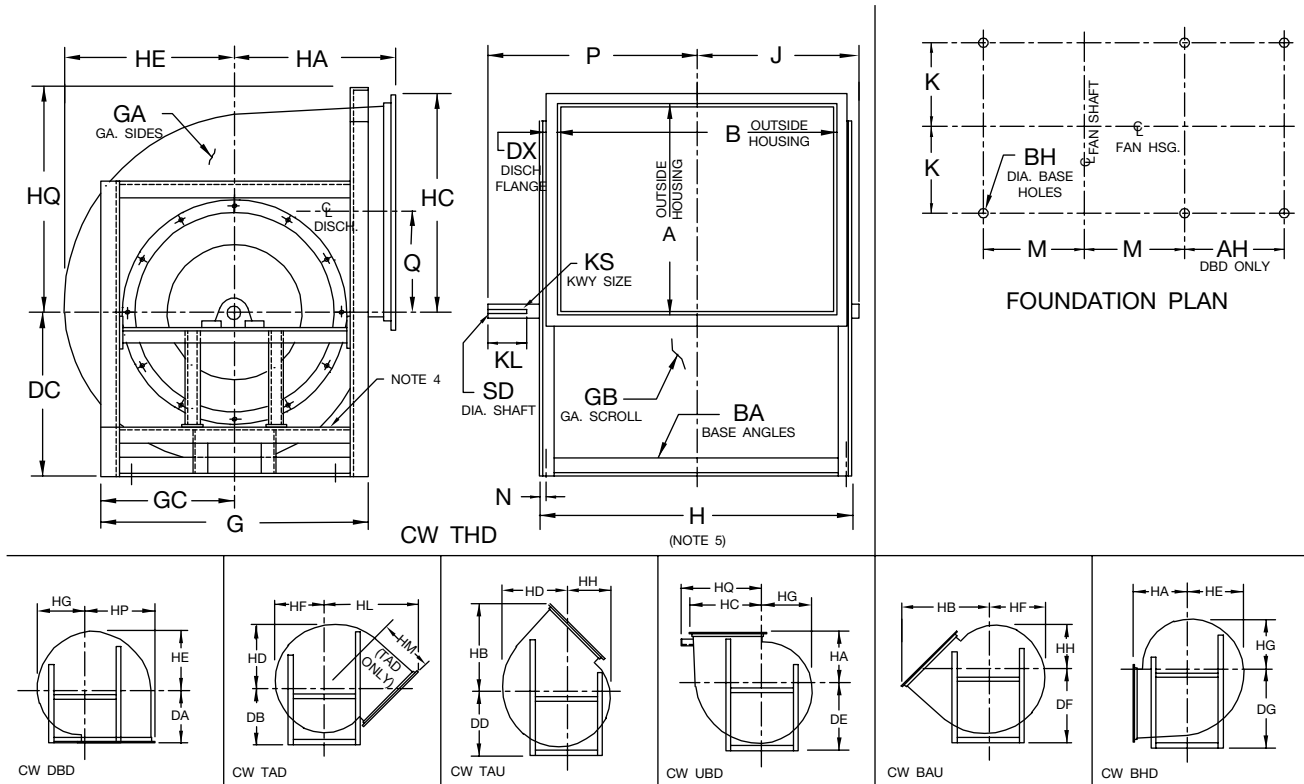
SIZE	CM	DC	DE	DG	DY	G	GA	GB	GC	H	HE	HG	HJ	HN	HQ
300	51.81	24.50	28.50	34.25	1.25	41.00	10	12	20.50	47.75	25.75	22.75	23.31	31.75	
330	56.75	27.00	31.00	37.25	1.50	44.00	10	12	22.00	51.75	28.38	25.00	25.75	35.06	
365	62.00	29.50	33.50	41.00	1.50	48.00	10	12	24.00	56.88	31.50	27.75	28.50	38.63	
402	68.50	33.00	37.00	45.50	1.50	52.50	10	12	26.25	63.25	34.69	30.56	31.50	42.56	
445	74.88	35.50	40.00	50.00	1.50	56.50	10	12	28.25	69.13	38.25	33.75	34.88	47.06	
490	82.50	39.00	44.00	54.75	1.50	61.50	10	12	30.75	75.50	42.19	37.19	38.50	51.88	
542	91.56	43.50	49.00	60.25	1.50	67.00	10	12	33.50	85.00	46.69	41.19	42.56	57.31	59.75
600	101.19	48.00	54.00	62.25	1.50	73.00	10	12	36.50	93.00	51.69	45.56	47.19	63.44	65.75
660	110.94	52.50	59.00	73.25	1.50	80.00	10	12	40.00	103.75	56.81	49.94	51.94	69.63	72.25
730	122.00	57.00	64.50	80.75	1.50	88.00	10	10	44.00	113.38	62.88	55.38	57.50	77.13	79.75

SIZE	J		K	KL	KS		M	N	P		Q	SD	
	CL I	CL II			CL I	CL II			CL I	CL II		CL I	CL II
300	26.25	26.25	22.75	5.50	0.63 x 0.31	0.63 x 0.31	15.88	1.13	32.88	32.88	15.81	2.437	2.437
330	28.25	28.25	24.75	5.50	0.63 x 0.31	0.63 x 0.31	17.38	1.13	34.88	34.88	17.50	2.437	2.437
365	31.13	31.13	27.31	5.50	0.63 x 0.31	0.63 x 0.31	18.88	1.13	37.75	37.75	19.25	2.687	2.687
402	33.50	33.81	30.25	6.00	0.63 x 0.31	0.63 x 0.31	20.88	1.38	40.63	40.94	21.25	2.437	2.687
445	36.44	36.56	33.19	6.00	0.63 x 0.31	0.75 x 0.38	22.88	1.38	43.56	43.81	23.50	2.437	2.937
490	39.94	41.13	36.38	7.00	0.63 x 0.31	0.88 x 0.44	25.38	1.38	48.06	49.44	25.88	2.687	3.437
542	43.75	44.19	40.63	6.00	0.75 x 0.38	0.88 x 0.44	27.63	1.88	51.00	51.50	28.63	2.937	3.437
600	48.88	49.63	44.63	8.00	0.88 x 0.44	1.00 x 0.50	30.63	1.88	58.19	59.00	31.69	3.437	3.937
660	53.25	54.06	49.50	8.00	0.88 x 0.44	1.00 x 0.50	33.13	2.38	62.56	63.38	34.75	3.437	3.937
730	58.81	58.81	54.31	9.00	1.00 x 0.50	1.00 x 0.50	37.13	2.38	69.19	69.19	38.50	3.937	3.937

AC14968F

DIMENSIONS NOT TO BE USED FOR CONSTRUCTION. CERTIFIED DRAWINGS AVAILABLE UPON REQUEST.

Arrangement 3, DWDI, Non-Rotatable Class I & II



Notes:

1. For slip connection on discharge, contact factory for Dwg. AC15864.
2. Inlet bearing bar supports are removable.
3. "CW" rotation is shown. "CCW" rotation is similar but opposite.
4. Frame supports vary in construction by size and by discharge position.
5. Bearing bar supports may extend beyond base angles. See Dwg. AC1000648 for dimensions if space limitations are required for mounting fan.

SIZE	A	AH	B	BA	BH	DA	DB	DC	DD	DE	DF	DG	DX	G	GA	GB
807	85.44	47.06	114.31	3.50 x 5.00	0.81	64.19	59.50	63.00	67.50	72.00	76.50	89.00	2.50	95.50	10	10
890	94.13	50.25	126.13	3.50 x 5.00	0.81	70.00	65.50	69.25	73.75	78.25	85.00	97.81	2.50	106.50	7	10
982	104.00	53.75	139.19	4.00 x 6.00	0.81	77.75	71.50	76.50	80.00	86.50	92.00	108.25	2.50	122.00	7	7

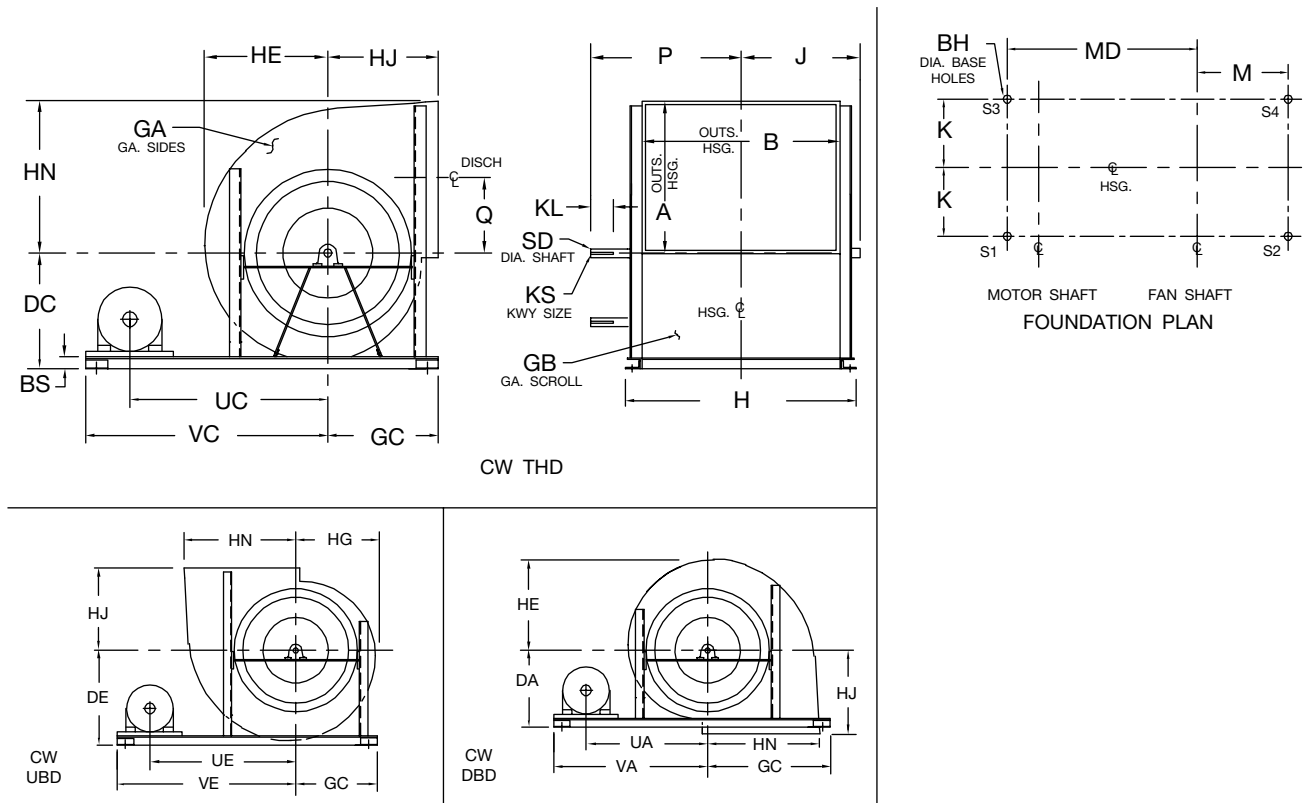
SIZE	GC	GD	H	HA	HB	HC	HD	HE	HF	HG	HH	HL	HM	HP	HQ
807	47.75	95.50	124.38	64.19	107.50	87.81	74.00	69.50	65.38	61.25	57.13	113.69	73.00	90.31	87.75
890	53.25	106.50	136.13	70.00	117.75	96.50	81.56	76.63	72.06	67.50	62.94	125.38	80.75	99.00	96.50
982	61.00	122.00	151.25	77.75	130.13	106.31	90.06	84.63	79.56	74.50	69.44	140.06	91.75	109.75	106.75

SIZE	J		K	KL	KS	M	N	P		Q	SD	
	CL I	CL II						CL I	CL II		CL I	CL II
807	64.31	65.56	59.81	9.0	1.00 x 0.50	40.88	2.38	74.69	75.44	42.63	3.937	4.437
890	70.19	71.50	65.69	9.0	1.00 x 0.50	46.38	2.38	80.56	82.00	46.94	3.937	4.437
982	77.81	78.44	72.75	9.0	1.25 x 0.63	53.13	2.88	88.31	88.88	51.81	4.937	5.437

AC9258E

DIMENSIONS NOT TO BE USED FOR CONSTRUCTION. CERTIFIED DRAWINGS AVAILABLE UPON REQUEST.

Arrangement 3F, DWDI, Non-Rotatable Class I



Notes:

1. "CW" rotation, motor position "Z" shown. "CCW" rotation, motor position "W" is similar but opposite.
2. Standard Arr. 3F motor location is on the left for "CW" rotation units and on the right for "CCW" rotation. Dimension "FR" equals max. motor frame.
3. For optional flanged outlet, contact factory for Dwg. AC16038.
4. See ES4-98 for point loads at location "S1," "S2," etc.
5. Contact factory for BHD and other UBD orientations.

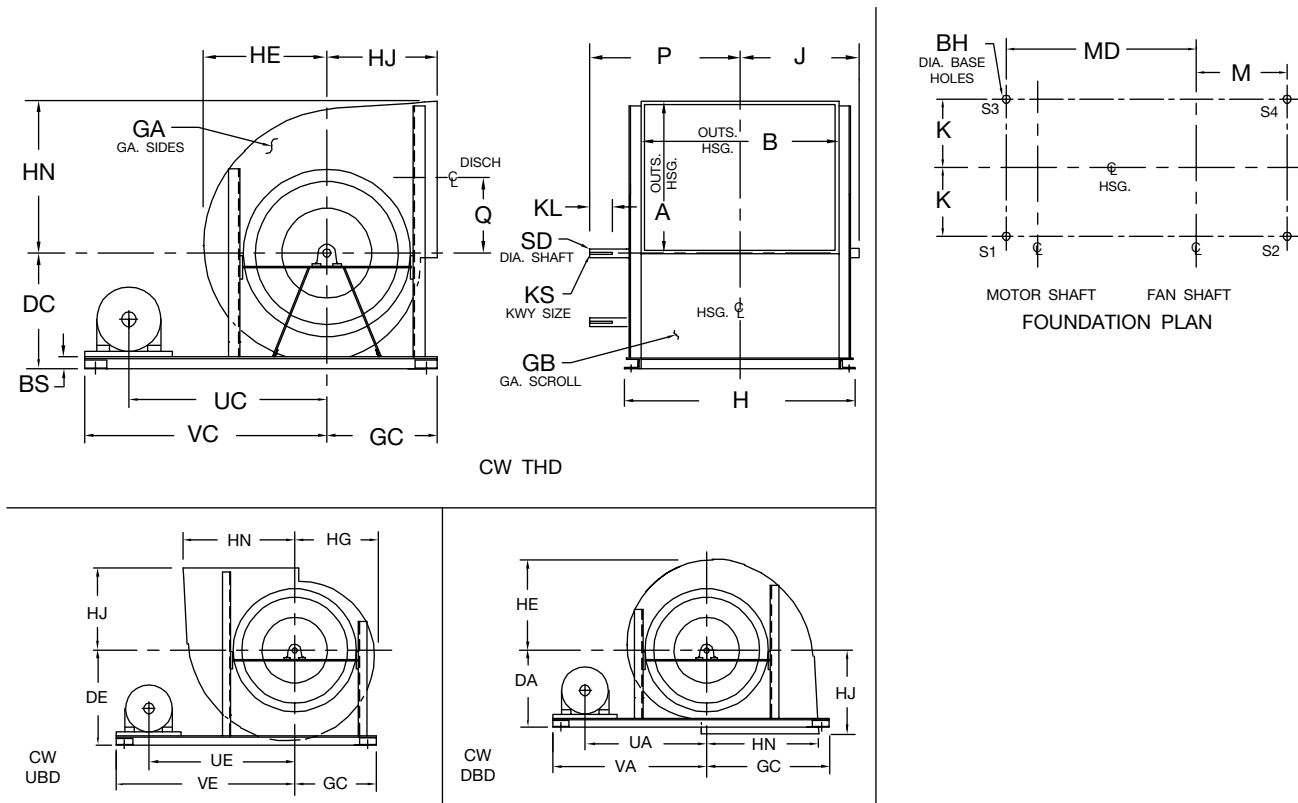
SIZE	A	B	BH	BS	DA	DC	DE	FR	GA	GB	GC			H		HE
											DBD	THD	UBD	DBD	THD/UBD	
122	13.00	17.44	0.69	4.00	12.38	12.38	12.38	184T	14	14	16.00	9.13	11.38	28.00	24.00	10.56
135	14.31	19.44	0.69	4.00	13.00	13.00	13.00	184T	14	14	17.25	9.75	12.00	30.00	26.00	11.63
150	15.88	21.44	0.69	4.00	13.88	13.88	13.88	213T	14	14	18.88	10.63	12.88	32.00	28.00	12.88
165	17.44	23.56	0.69	4.00	14.63	14.63	15.13	215T	14	14	20.38	12.13	13.63	34.13	30.13	14.13
182	19.38	26.00	0.69	4.00	15.50	15.50	16.69	254T	12	14	22.38	13.00	14.50	36.50	32.50	15.69
200	21.19	28.50	0.69	4.00	16.50	16.50	18.31	254T	12	14	24.13	14.00	15.50	39.00	35.00	17.31
222	23.56	31.63	0.69	5.00	18.63	18.63	20.06	254T	12	14	27.00	15.63	17.13	42.38	40.38	19.06
245	25.94	34.81	0.69	5.00	19.75	19.75	22.00	256T	12	14	29.38	18.25	18.25	45.63	43.63	21.00
270	28.63	38.25	0.69	5.00	21.00	21.44	24.19	256T	12	14	32.13	19.50	19.50	49.00	47.00	23.19

SIZE	HG	HJ		HN	J	K		KL	KS	M			MD		
		DBD	THD/UBD			DBD	THD/UBD			DBD	THD	UBD	DBD	THD	UBD
122	9.31	13.88	9.25	12.94	11.44	12.75	10.63	3.00	0.25 x 0.13	13.00	6.13	8.38	23.00	24.25	26.13
135	10.25	14.50	10.25	14.25	12.44	13.75	11.63	3.00	0.25 x 0.13	14.25	6.75	9.00	23.88	25.25	27.38
150	11.38	15.38	11.44	15.81	14.38	14.75	12.63	3.50	0.38 x 0.19	15.88	7.63	9.88	28.13	29.63	32.00
165	12.50	16.13	12.63	17.38	15.44	15.81	13.69	3.50	0.38 x 0.19	17.38	9.13	10.63	29.25	30.88	33.13
182	13.81	17.00	14.00	19.31	16.63	17.00	14.88	4.00	0.38 x 0.19	19.38	10.00	11.50	34.25	36.00	39.00
200	15.19	18.00	15.31	21.13	17.88	18.25	16.13	4.00	0.38 x 0.19	21.13	11.00	12.50	35.50	37.75	40.75
222	16.81	20.13	17.19	23.50	19.56	19.94	18.31	4.50	0.50 x 0.25	24.00	12.63	14.13	37.25	39.50	43.13
245	18.50	21.25	19.00	25.88	21.81	21.56	19.94	5.00	0.50 x 0.25	26.38	15.25	15.25	38.88	41.38	45.25
270	20.44	22.50	20.94	28.56	23.50	23.25	21.63	5.00	0.50 x 0.25	29.13	16.50	16.50	40.75	43.50	47.63

DIMENSIONS NOT TO BE USED FOR CONSTRUCTION. CERTIFIED DRAWINGS AVAILABLE UPON REQUEST.

AC16026B

Arrangement 3F, DWDI, Non-Rotatable Class I (cont'd.)



CW THD

Notes:

1. "CW" rotation, motor position "Z" shown. "CCW" rotation, motor position "W" is similar but opposite.
2. Standard Arr. 3F motor location is on the left for "CW" rotation units and on the right for "CCW" rotation. Dimension "FR" equals max. motor frame.
3. For optional flanged outlet, contact factory for Dwg. AC16038.
4. See ES4-98 for point loads at location "S1," "S2," etc.
5. Contact factory for BHD and other UBD orientations.

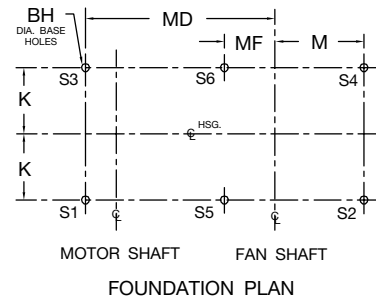
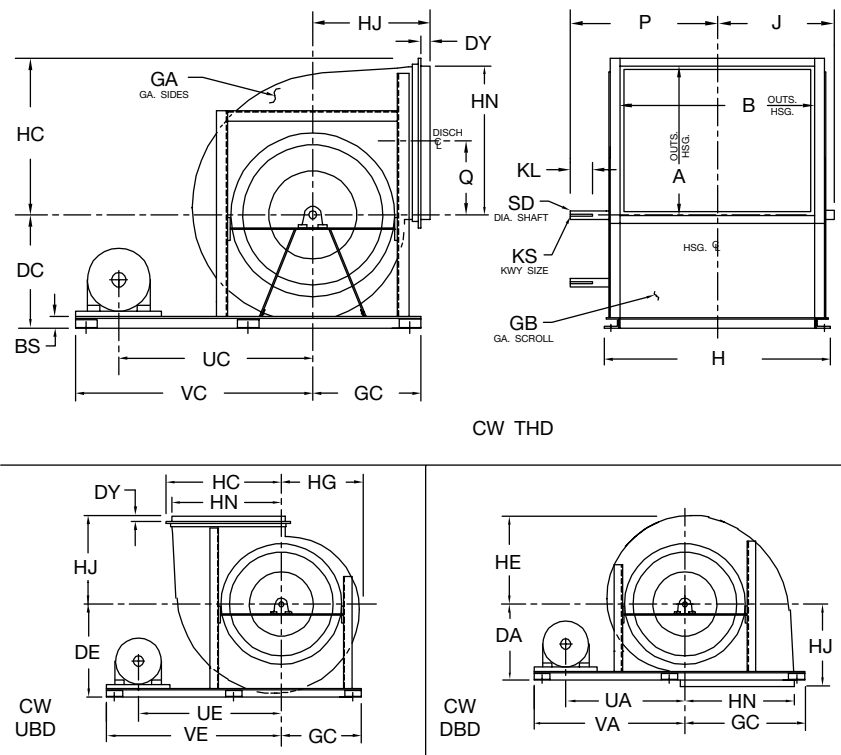
SIZE	P	Q	SD	UA	UC	UE	VA	VC	VE
122	15.25	6.44	1.187	19.63	20.88	22.75	26.00	27.25	29.13
135	16.25	7.13	1.187	20.50	21.88	24.00	26.88	28.25	30.38
150	18.75	7.88	1.437	23.63	25.13	27.50	31.13	32.63	35.00
165	19.81	8.69	1.437	24.75	26.38	28.63	32.25	33.88	36.13
182	21.50	9.63	1.687	28.38	30.13	33.13	37.25	39.00	42.00
200	22.75	10.56	1.687	29.63	31.88	34.88	38.50	40.75	43.75
222	25.06	11.75	1.937	31.38	33.63	37.25	40.25	42.50	46.13
245	27.81	12.94	2.187	33.00	35.50	39.38	41.88	44.38	48.25
270	29.50	14.25	2.187	34.88	37.63	41.75	43.75	46.50	50.63

AC16026B

DIMENSIONS NOT TO BE USED FOR CONSTRUCTION.
CERTIFIED DRAWINGS AVAILABLE UPON REQUEST.



Arrangement 3F, DWDI, Non-Rotatable Class I



Notes:

- "CW" rotation, motor position "Z" shown. "CCW" rotation, motor position "W" is similar but opposite.
- Standard Arr. 3F motor location is on the left for "CW" rotation units and on the right for "CCW" rotation. Dimension "FR" equals max. motor frame.
- For optional flanged outlet, contact factory for Dwg. AC16039.
- Dimension "MF" applies only when six (6) mounting brackets are required.
- See ES4-98 for point loads at location "S1," "S2," etc.
- See Dwg. AC16028 for sizes 542-660. Contact factory for BHD and other UBD orientations.

SIZE	A	B	BH	BS	DA	DC	DE	DY	FR	GA	GB	GC		H		HC
												DBD	THD/UBD	DBD	THD/UBD	
300	31.81	42.69	0.69	5.00	23.00	23.75	26.75	1.25	284T	10	12	35.25	21.50	53.50	51.50	33.25
330	35.13	46.69	0.69	5.00	24.50	26.00	29.38	1.50	286T	10	12	38.63	23.00	57.50	55.50	36.56
365	38.69	51.81	0.81	6.00	27.50	28.75	32.50	1.50	324T	10	12	42.63	25.50	62.63	62.63	40.13
402	42.63	57.19	0.81	6.00	30.00	31.56	35.69	1.50	326T	10	12	46.63	27.25	68.00	68.00	44.06
445	47.13	63.13	0.81	6.00	33.38	34.75	39.25	1.50	364T	10	12	51.13	29.25	73.88	73.88	48.56
490	51.94	69.44	0.81	6.00	37.00	38.19	43.19	1.50	365T	10	12	55.88	31.75	80.25	80.25	53.88

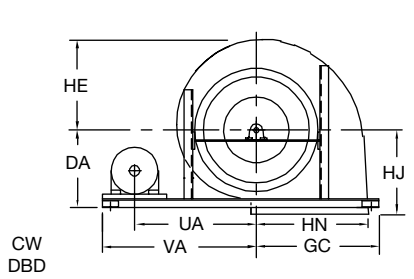
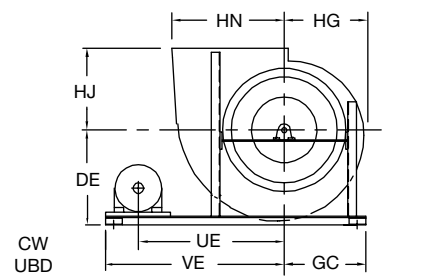
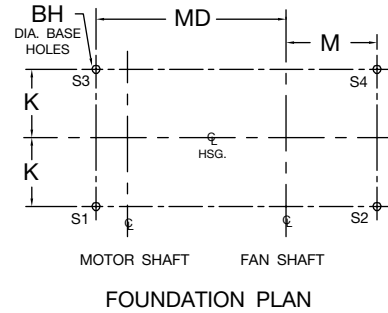
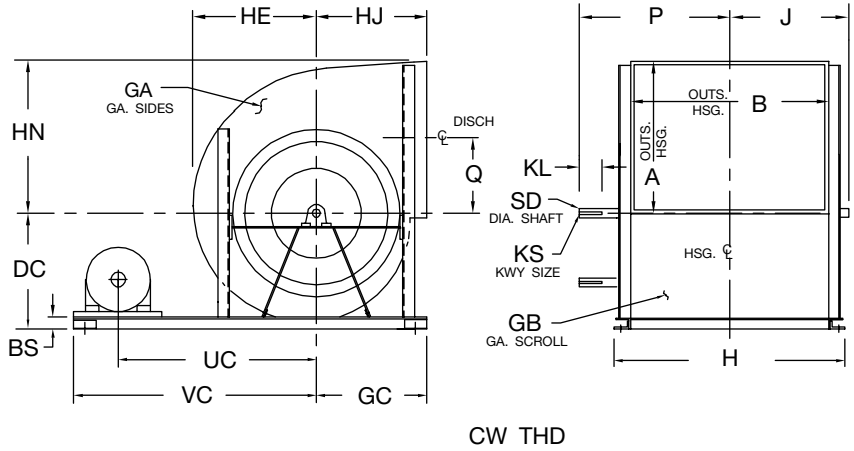
SIZE	HE	HG	HJ		HN	J	K		KL	KS	M		MD		
			DBD	THD/UBD			DBD	THD/UBD			DBD	THD	UBD		
300	25.75	22.75	24.50	23.31	31.75	26.25	25.50	23.88	5.50	0.63 x 0.31	32.25	18.50	45.63	48.63	53.00
330	28.38	25.00	26.00	25.75	35.06	28.25	27.50	25.88	5.50	0.63 x 0.31	35.63	20.00	47.75	51.00	55.63
365	31.50	27.75	29.00	28.50	38.63	31.13	30.06	28.94	5.50	0.63 x 0.31	39.63	22.50	54.13	57.88	63.13
402	34.69	30.56	31.50	31.50	42.56	33.50	32.75	31.63	6.00	0.63 x 0.31	43.63	24.25	56.75	60.63	66.25
445	38.25	33.75	34.88	34.88	47.06	36.44	35.69	34.56	6.00	0.63 x 0.31	48.13	26.25	64.00	68.38	74.38
490	42.19	37.19	38.50	38.50	51.88	39.94	38.88	37.75	7.00	0.63 x 0.31	52.88	28.75	66.75	71.63	78.13

SIZE	MF		P	Q	SD	UA	UC	UE	VA	VC	VE
	DBD	UBD									
300	—	—	32.88	15.81	2.437	38.75	41.75	46.13	48.63	51.63	56.00
330	—	—	34.88	17.50	2.437	40.88	44.13	48.75	50.75	54.00	58.63
365	—	—	37.75	19.25	2.687	45.75	49.50	54.75	57.13	60.88	66.13
402	—	—	40.63	21.25	2.437	48.38	52.25	57.88	59.75	63.63	69.25
445	7.94	—	43.56	23.50	2.437	54.25	58.63	64.63	67.00	71.38	77.38
490	6.94	24.69	48.06	25.88	2.687	57.00	61.88	68.38	69.75	74.63	81.13

AC16027C

DIMENSIONS NOT TO BE USED FOR CONSTRUCTION. CERTIFIED DRAWINGS AVAILABLE UPON REQUEST.

**Arrangement 3F, DWDI, Non-Rotatable
Class II**



Notes:

1. "CW" rotation, motor position "Z" shown. "CCW" rotation, motor position "W" is similar but opposite.
2. Standard Arr. 3F motor location is on the left for "CW" rotation units and on the right for "CCW" rotation. Dimension "FR" equals max. motor frame.
3. For optional flanged outlet, see Dwg. AC16044.
4. See ES4-98 for point loads at location "S1," "S2," etc.
5. Contact factory for BHD and other UBD orientations.

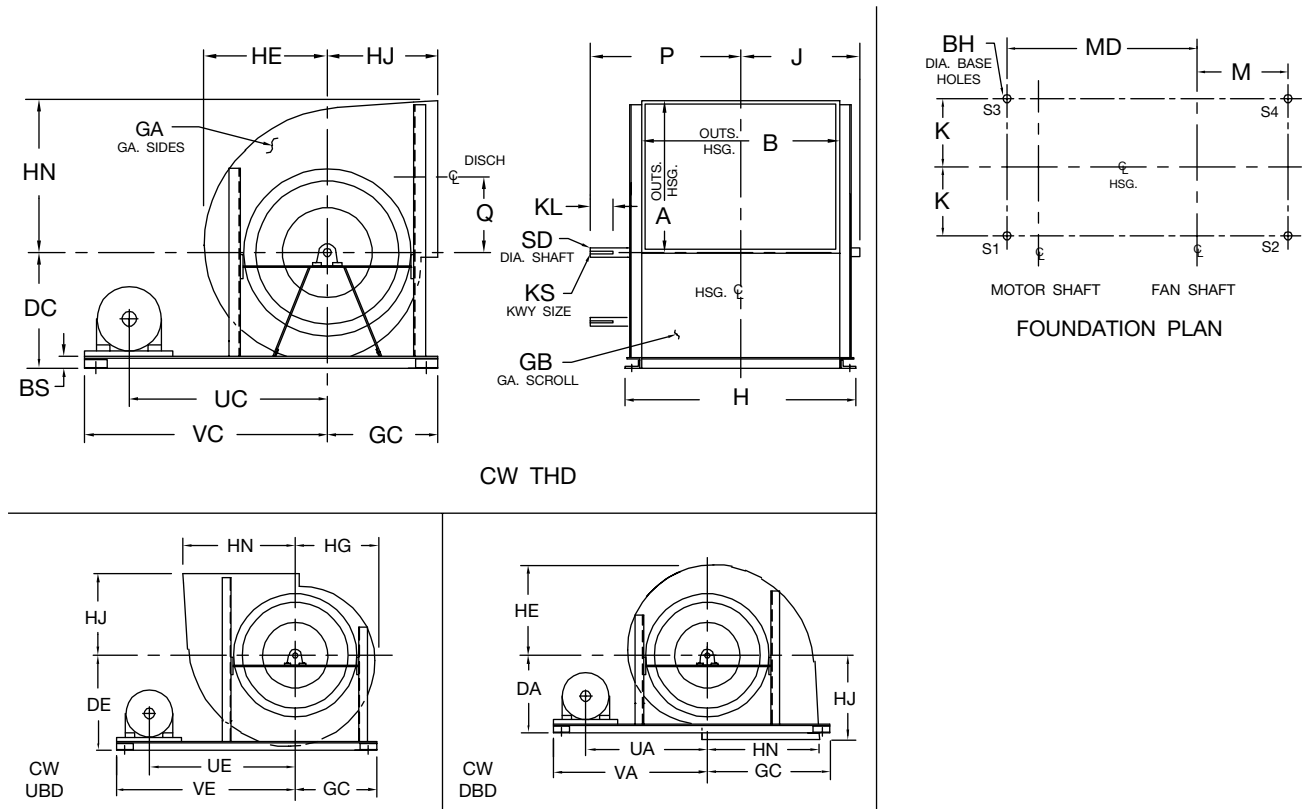
SIZE	A	B	BH	BS	DA	DC	DE	FR	GA	GB	GC			H		HE
											DBD	THD	UBD	DBD	THD/UBD	
122	13.00	17.44	0.69	4.00	12.38	12.38	12.38	215T	14	14	16.00	9.13	11.38	28.00	24.00	10.56
135	14.31	19.44	0.69	4.00	13.00	13.00	13.00	254T	14	14	17.25	9.75	12.00	30.00	26.00	11.63
150	15.88	21.44	0.69	4.00	13.88	13.88	13.88	254T	14	14	18.88	10.63	12.88	32.00	28.00	12.88
165	17.44	23.56	0.69	4.00	14.63	14.63	15.13	256T	14	14	20.38	12.13	13.63	34.13	30.13	14.13
182	19.38	26.00	0.69	4.00	15.50	15.50	16.69	284T	12	14	22.38	13.00	14.50	36.50	32.50	15.69
200	21.19	28.50	0.69	4.00	16.50	16.50	18.31	284T	12	14	24.13	14.00	15.50	39.00	35.00	17.31
222	23.56	31.63	0.69	5.00	18.63	18.63	20.06	286T	12	14	27.00	15.63	17.13	42.38	40.38	19.06
245	25.94	34.81	0.69	5.00	19.75	19.75	22.00	324T	12	14	29.38	18.25	18.25	45.63	43.63	21.00
270	28.63	38.25	0.69	5.00	21.00	21.44	24.19	326T	12	14	32.13	19.50	19.50	49.00	47.00	23.19

SIZE	HG	HJ		HN	J	K		KL	KS	M			MD		
		DBD	THD/UBD			DBD	THD/UBD			DBD	THD	UBD	DBD	THD	UBD
122	9.31	13.88	9.25	12.94	12.38	12.75	10.63	3.00	0.38 x 0.19	13.00	6.13	8.38	26.13	27.38	29.25
135	10.25	14.50	10.25	14.25	13.38	13.75	11.63	3.00	0.38 x 0.19	14.25	6.75	9.00	30.63	32.00	34.13
150	11.38	15.38	11.44	15.81	14.38	14.75	12.63	3.50	0.38 x 0.19	15.88	7.63	9.88	31.75	33.25	35.63
165	12.50	16.13	12.63	17.38	15.56	15.81	13.69	3.50	0.50 x 0.25	17.38	9.13	10.63	32.88	34.50	36.75
182	13.81	17.00	14.00	19.31	16.75	17.00	14.88	4.00	0.50 x 0.25	19.38	10.00	11.50	36.75	38.50	41.50
200	15.19	18.00	15.31	21.13	18.56	18.25	16.13	4.00	0.50 x 0.25	21.13	11.00	12.50	38.00	40.25	43.25
222	16.81	20.13	17.19	23.50	20.63	19.94	18.31	4.50	0.63 x 0.31	24.00	12.63	14.13	39.75	42.00	45.63
245	18.50	21.25	19.00	25.88	22.31	21.56	19.94	5.00	0.63 x 0.31	26.38	15.25	15.25	45.00	47.50	51.38
270	20.44	22.50	20.94	28.56	24.31	23.25	21.63	5.00	0.63 x 0.31	29.13	16.50	16.50	46.88	49.63	54.00

DIMENSIONS NOT TO BE USED FOR CONSTRUCTION. CERTIFIED DRAWINGS AVAILABLE UPON REQUEST.

AC16032B

Arrangement 3F, DWDI, Non-Rotatable Class II (cont'd.)



Notes:

1. "CW" rotation, motor position "Z" shown. "CCW" rotation, motor position "W" is similar but opposite.
2. Standard Arr. 3F motor location is on the left for "CW" rotation units and on the right for "CCW" rotation. Dimension "FR" equals max. motor frame.
3. For optional flanged outlet, see Dwg. AC16044.
4. See ES4-98 for point loads at location "S1," "S2," etc.
5. Contact factory for BHD and other UBD orientations.

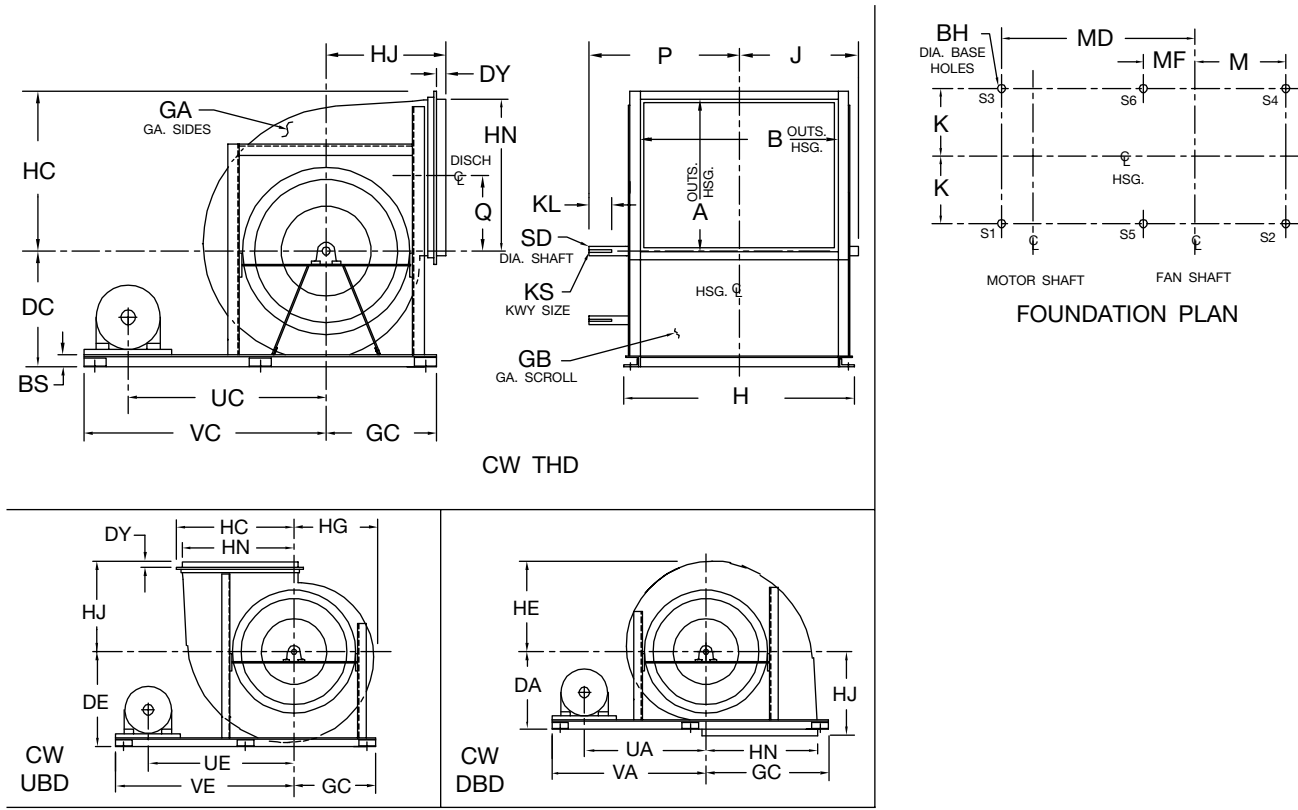
SIZE	P	Q	SD	UA	UC	UE	VA	VC	VE
122	16.25	6.44	1.437	21.63	22.88	24.75	29.13	30.38	32.25
135	17.25	7.13	1.687	24.75	26.13	28.25	33.63	35.00	37.13
150	18.75	7.88	1.687	25.88	27.38	29.75	34.75	36.25	38.63
165	20.06	8.69	1.937	27.00	28.63	30.88	35.88	37.50	39.75
182	21.75	9.63	1.937	29.88	31.63	34.63	39.75	41.50	44.50
200	23.56	10.56	2.187	31.13	33.38	36.38	41.00	43.25	46.25
222	26.25	11.75	2.437	32.88	35.13	38.75	42.75	45.00	48.63
245	28.44	12.94	2.437	36.63	39.13	43.00	48.00	50.50	54.38
270	30.44	14.25	2.687	38.50	41.25	45.63	49.88	52.63	57.00

AC16032B

DIMENSIONS NOT TO BE USED FOR CONSTRUCTION.
CERTIFIED DRAWINGS AVAILABLE UPON REQUEST.



Arrangement 3F, DWDI, Non-Rotatable Class II



Notes:

- "CW" rotation, motor position "Z" shown. "CCW" rotation, motor position "W" is similar but opposite.
- Standard Arr. 3F motor location is on the left for "CW" rotation units and on the right for "CCW" rotation. Dimension "FR" equals max. motor frame.
- For optional flanged outlet, contact factory for Dwg. AC16045.
- Dimension "MF" applies only when six (6) mounting brackets are required.
- See ES4-98 for point loads at location "S1," "S2," etc.
- See Dwg. AC16034 for sizes 542-660. Contact factory for BHD and other UBD orientations.

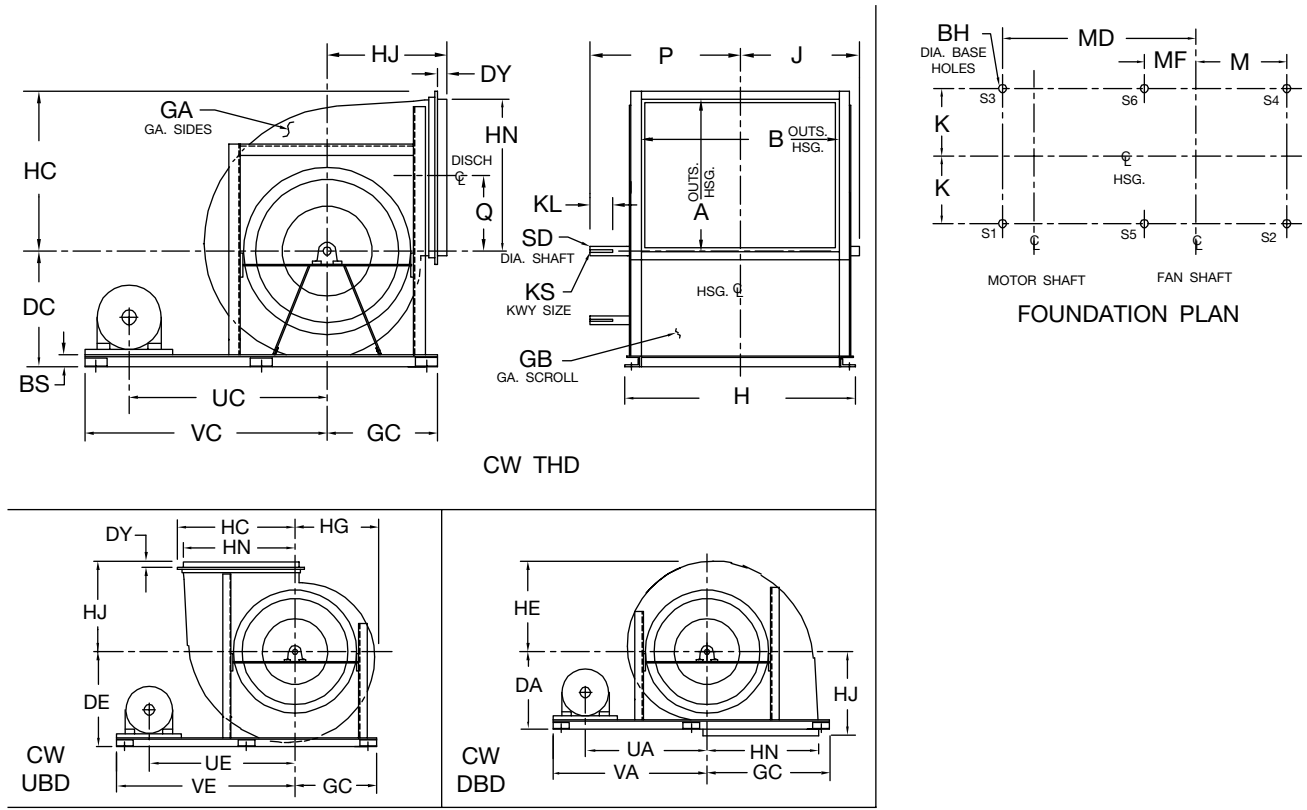
SIZE	A	B	BH	BS	DA	DC	DE	DY	FR	GA	GB	GC		H		HC
												DBD	THD/UBD	DBD	THD/UBD	
300	31.81	42.69	0.69	5.00	23.00	23.75	26.75	1.25	364T	10	12	35.25	21.50	53.50	51.50	33.25
330	35.13	46.69	0.69	5.00	24.50	26.00	29.38	1.50	365T	10	12	38.63	23.00	57.50	55.50	36.56
365	38.69	51.81	0.81	6.00	27.50	28.75	32.50	1.50	365T	10	12	42.63	25.50	62.63	62.63	40.13
402	42.63	57.19	0.81	6.00	30.00	31.56	35.69	1.50	405T	10	12	46.63	27.25	68.00	68.00	44.06
445	47.13	63.13	0.81	6.00	33.38	34.75	39.25	1.50	445T	10	12	51.13	29.25	73.88	73.88	48.56
490	51.94	69.44	0.81	6.00	37.00	38.19	43.19	1.50	445T	10	12	55.88	31.75	80.25	80.25	53.88

SIZE	HE	HG	HJ		HN	J	K		KL	KS	M		MD		
			DBD	THD/UBD			DBD	THD/UBD			DBD	THD	UBD		
300	25.75	22.75	24.50	23.31	31.75	26.25	25.50	23.88	5.50	0.63 x 0.31	32.25	18.50	53.50	56.50	61.25
330	28.38	25.00	26.00	25.75	35.06	28.25	27.50	25.88	5.50	0.63 x 0.31	35.63	20.00	55.75	59.13	64.13
365	31.50	27.75	29.00	28.50	38.63	31.13	30.06	28.94	5.50	0.63 x 0.31	39.63	22.50	58.50	62.25	67.63
402	34.69	30.56	31.50	31.50	42.56	33.81	32.75	31.63	6.00	0.63 x 0.31	43.63	24.25	67.00	71.00	77.13
445	38.25	33.75	34.88	34.88	47.06	36.56	35.69	34.56	6.00	0.75 x 0.38	48.13	26.25	73.68	78.13	84.63
490	42.19	37.19	38.50	38.50	51.88	41.13	38.88	37.75	7.00	0.88 x 0.44	52.88	28.75	76.88	81.75	88.75

AC16033C

DIMENSIONS NOT TO BE USED FOR CONSTRUCTION. CERTIFIED DRAWINGS AVAILABLE UPON REQUEST.

Arrangement 3F, DWDI, Non-Rotatable Class II (cont'd.)



- Notes:**
1. "CW" rotation, motor position "Z" shown. "CCW" rotation, motor position "W" is similar but opposite.
 2. Standard Arr. 3F motor location is on the left for "CW" rotation units and on the right for "CCW" rotation. Dimension "FR" equals max. motor frame.
 3. For optional flanged outlet, contact factory for Dwg. AC16045.
 4. Dimension "MF" applies only when six (6) mounting brackets are required.
 5. See ES4-98 for point loads at location "S1," "S2," etc.
 6. See Dwg. AC16034 for sizes 542-660. Contact factory for BHD and other UBD orientations.

SIZE	MF			P	Q	SD	UA	UC	UE	VA	VC	VE
	DBD	THD	UBD									
300	—	—	—	32.88	15.81	2.437	43.75	46.75	51.50	56.50	59.50	64.25
330	—	—	—	34.88	17.50	2.437	46.00	49.38	54.38	58.75	62.13	67.13
365	—	—	—	37.75	19.25	2.687	48.75	52.50	57.88	61.50	65.25	70.63
402	11.69	—	—	40.94	21.25	2.687	55.63	59.63	65.75	70.00	74.00	80.13
445	12.75	—	29.19	43.81	23.50	2.937	61.00	65.50	72.00	76.63	81.13	87.63
490	12.00	26.50	30.00	49.44	25.88	3.437	64.25	69.13	76.13	79.88	84.75	91.75

AC16033C

DIMENSIONS NOT TO BE USED FOR CONSTRUCTION. CERTIFIED DRAWINGS AVAILABLE UPON REQUEST.





Model BC-SW

PERFORMANCE — Performance ratings shall conform to AMCA Standard 205 (fan efficiency grade), 211 (air performance) and 311 (sound performance). Fans shall be tested in accordance with ANSI/AMCA Standard 210 (air performance) and 300 (sound performance) in an AMCA accredited laboratory. Fans shall be licensed to bear the AMCA certified ratings seal for both sound and air, and fan efficiency grade (FEG).

Fans shall have a sharply rising pressure characteristic extending through the operating range and continuing to rise beyond the peak efficiency to ensure quiet and stable operation. Fans shall have a non-overloading design with self-limiting horsepower characteristics and shall reach a peak in the normal selection area. All fans shall be capable of operating over the minimum pressure class limits as specified in AMCA Standard 99.

HOUSING — BC fan housings shall be of heavy gauge, continuously welded construction. Housings with lock seams or partially welded construction are not acceptable. Discharge flanges are to be provided for rigidity and duct connection. Housings shall be suitably braced to prevent vibration or pulsation. Housings shall have tapered spun, aerodynamically designed inlet cones or funnels providing stable flow and high rigidity.

Class I and II sizes 270 and smaller shall be of the rotatable design, convertible to 8 standard discharge configurations.

WHEEL — BC backward inclined wheels shall be single thickness plate type, designed for maximum efficiency and quiet operation, and shall be solid welded to the rim and back plate. Partial welding will not be acceptable on airfoil or backward inclined blades. All wheels shall be statically and dynamically balanced.

SHAFT — Shafts shall be AISI 1040 or 1045 hot rolled steel, accurately turned, ground, polished, and ring gauged for accuracy. Shafts shall be sized for the first critical speed of at least 1.43 times the maximum speed.

BEARINGS — Bearings shall be heavy duty, grease lubricated, spherical roller or adapter mounted anti-friction ball, self-aligning, pillow block type and selected for a minimum average bearing life (AFBMA L-50) in excess of 200,000 hours at the maximum fan RPM.

DRIVE — Motor sheaves shall be cast iron, variable pitch on applications 10 HP and smaller, and fixed pitch on 15 HP and larger. Drives and belts shall be located external to the fan casing and rated for 150% of the required motor HP.

FINISH AND COATING — The entire fan assembly, excluding the shaft, shall be thoroughly degreased and deburred before application of a rust-preventative primer. After the fan is completely assembled, a finish coat of paint shall be applied to the entire assembly. The fan shaft shall be coated with a petroleum-based rust protectant.

ACCESSORIES — When specified, accessories such as belt guards, weather covers, access doors, companion flanges, variable inlet vanes, outlet dampers, piezometer ring airflow measurement device, inlet boxes, shaft coolers, shaft seals, inlet screens, etc., shall be provided by Twin City Fan & Blower to maintain one source responsibility.

When specified, fans shall be supplied with internal or nested type variable inlet vanes for wheel diameters 16½" and larger. Cantilevered vane blades are to be used through Size 660 to minimize air performance insertion losses and noise. The operating mechanism shall be out of the inlet airstream.

FACTORY BALANCE AND RUN TESTING — All fan wheels shall be statically and dynamically balanced in accordance with ANSI/AMCA 204 "Balance Quality and Vibration Levels for Fans" to Fan Application Category BV-3. This corresponds to a Balance Quality Grade G6.3. All assembled fans are test run at the rated operating speed or at the maximum RPM of the fan. Vibration readings are recorded in the horizontal, vertical and axial directions on both bearings. Trim balancing is performed if necessary to maintain BV-3 vibration limits. Records shall be maintained and a written copy shall be available upon request.

GUARANTEE — The manufacturer shall guarantee the workmanship and materials for its BC Backward Inclined fans for at least one (1) year from startup or eighteen (18) months from shipment, whichever occurs first.



Model BC-DW

PERFORMANCE — Performance ratings shall conform to AMCA Standard 205 (fan efficiency grade), 211 (air performance) and 311 (sound performance). Fans shall be tested in accordance with ANSI/AMCA Standard 210 (air performance) and 300 (sound performance) in an AMCA accredited laboratory. Fans shall be licensed to bear the AMCA certified ratings seal for both sound and air, and fan efficiency grade (FEG).

Fans shall have a sharply rising pressure characteristic extending through the operating range and continuing to rise beyond the peak efficiency to ensure quiet and stable operation. Fans shall have a non-overloading design with self-limiting horsepower characteristics and shall reach a peak in the normal selection area. All fans shall be capable of operating over the minimum pressure class limits as specified in AMCA Standard 99.

HOUSING — BC fan housings shall be of heavy gauge, continuously welded construction. Housings with lock seams or partially welded construction are not acceptable. Housings shall be suitably braced to prevent vibration or pulsation. Housings shall have spun, aerodynamically designed inlet cones or inlet venturies for smooth airflow into the wheels.

WHEEL — Wheels shall have tapered spun wheel cones or shrouds, providing stable flow and high rigidity. Wheels shall be of the non-overloading type. BC backward inclined wheels shall be single thickness plate type, continuously welded to the rim and back plate. Blades shall be designed for maximum efficiency and quiet operation. Partial welding will not be acceptable on airfoil or backward inclined blades. Smaller sizes may use extruded aluminum blades. All wheels shall be statically and dynamically balanced. The complete fan assembly shall be test balanced at the operating speed prior to shipment.

SHAFT — Shafts shall be AISI 1040 or 1045 hot rolled steel, accurately turned, ground, polished, and ring gauged for accuracy. Shafts shall be sized for the first critical speed of at least 1.43 times the maximum speed.

BEARINGS — Bearings shall be heavy duty, grease lubricated, spherical roller or adapter mounted anti-friction ball, self-aligning, pillow block type and selected for a minimum average bearing life (AFBMA L-50) in excess of 200,000 hours at the maximum fan RPM.

DRIVE — Motor sheaves shall be cast iron, variable pitch on applications 10 HP and smaller, and fixed pitch on 15 HP and larger. Drives and belts shall be located external to the fan casing and rated for 150% of the required motor HP.

FINISH AND COATING — The entire fan assembly, excluding the shaft, shall be thoroughly degreased and deburred before application of a rust-preventative primer. After the fan is completely assembled, a finish coat of paint shall be applied to the entire assembly. The fan shaft shall be coated with a petroleum-based rust protectant.

ACCESSORIES — When specified, accessories such as belt guards, access doors, companion flanges, variable inlet vanes, outlet dampers, piezometer ring airflow measurement device, inlet boxes, shaft coolers, shaft seals, inlet screens, etc., shall be provided by Twin City Fan & Blower to maintain one source responsibility.

When specified, fans shall be supplied with internal or nested type variable inlet vanes for wheel diameters 16½" and larger. Cantilevered vane blades are to be used through Size 660 to minimize air performance insertion losses and noise. The operating mechanism shall be out of the inlet airstream. Double width fans shall have interconnecting linkage to ensure operation in unison.

FACTORY BALANCE AND RUN TESTING — All fan wheels shall be statically and dynamically balanced in accordance with ANSI/AMCA 204 "Balance Quality and Vibration Levels for Fans" to Fan Application Category BV-3. This corresponds to a Balance Quality Grade G6.3. All assembled fans are test run at the rated operating speed or at the maximum RPM of the fan. Vibration readings are recorded in the horizontal, vertical and axial directions on both bearings. Trim balancing is performed if necessary to maintain BV-3 vibration limits. Records shall be maintained and a written copy shall be available upon request.

GUARANTEE — The manufacturer shall guarantee the workmanship and materials for its BC Backward Inclined fans for at least one (1) year from startup or eighteen (18) months from shipment, whichever occurs first.

INDUSTRIAL PROCESS AND COMMERCIAL VENTILATION SYSTEMS

CENTRIFUGAL FANS | UTILITY SETS | PLENUM & PLUG FANS | INLINE CENTRIFUGAL FANS
MIXED FLOW FANS | TUBEAXIAL & VANEAXIAL FANS | PROPELLER WALL FANS | PROPELLER ROOF VENTILATORS
CENTRIFUGAL ROOF & WALL EXHAUSTERS | CEILING VENTILATORS | GRAVITY VENTILATORS | DUCT BLOWERS
RADIAL BLADED FANS | RADIAL TIP FANS | HIGH EFFICIENCY INDUSTRIAL FANS | PRESSURE BLOWERS
LABORATORY EXHAUST FANS | FILTERED SUPPLY FANS | MANCOOLERS | FIBERGLASS FANS | CUSTOM FANS



TWIN CITY FAN & BLOWER
WWW.TCF.COM

5959 TRENTON LANE N | MINNEAPOLIS, MN 55442 | PHONE: 763-551-7600 | FAX: 763-551-7601

©2018 Twin City Fan Companies, Ltd., Minneapolis, MN. All rights reserved. Catalog illustrations cover the general appearance of Twin City Fan & Blower products at the time of publication and we reserve the right to make changes in design and construction at any time without notice.